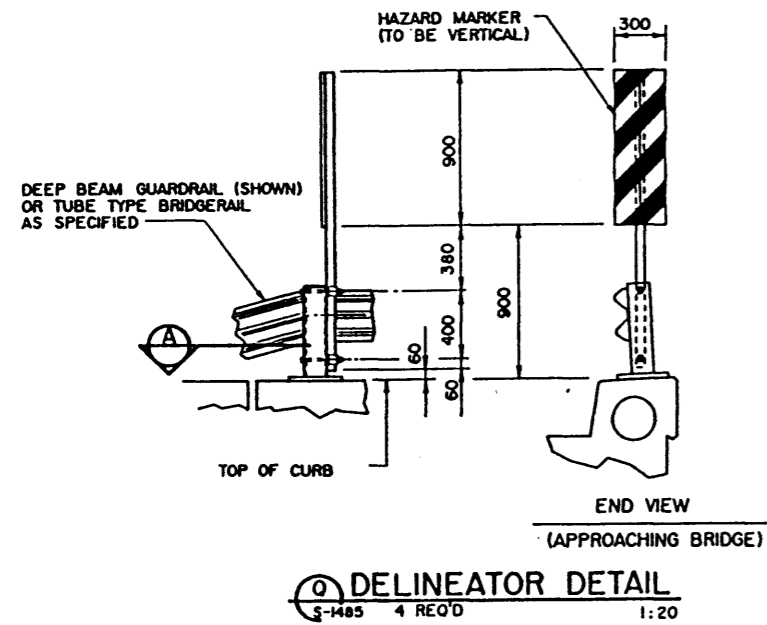


TABLE OF DIMENSIONS

SKEW		7 600 ROADWAY				8 800 ROADWAY				10 000 ROADWAY				11 200 ROADWAY				12 500 ROADWAY				13 700 ROADWAY					
		0°	15°	30°	45°	0°	15°	30°	45°	0°	15°	30°	45°	0°	15°	30°	45°	0°	15°	30°	45°	0°	15°	30°	45°		
GENERAL	OVERALL LENGTH	A	8 700	9 006	10 046	12 304	9 900	10 250	11 432	14 000	11 100	11 492	12 818	15 698	12 300	12 734	14 202	17 394	13 600	14 080	15 704	19 234	14 800	15 322	17 090	20 930	
	CROWN	B	87	87	87	87	99	99	99	99	111	111	111	111	123	123	123	123	136	136	136	136	148	148	148	148	
	DIFFERENTIAL FOR ROADWAY GRADE OF	1%	C	0	23	50	87	0	27	57	99	0	30	64	111	0	33	71	123	0	36	78	136	0	40	85	148
		2%	C	0	47	100	174	0	53	114	198	0	60	128	222	0	66	142	246	0	73	157	272	0	79	171	296
3%		C	0	70	151	261	0	80	172	297	0	90	192	333	0	99	213	369	0	109	236	408	0	119	256	444	
PILES	NUMBER		5	5	5	5	6	6	6	6	6	6	6	6	7	7	7	7	8	8	8	8	8	8	8	8	
	SPACING	D	1 650	1 708	1 905	2 333	1 560	1 615	1 801	2 206	1 800	1 863	2 079	2 545	1 700	1 760	1 963	2 404	1 643	1 701	1 897	2 324	1 814	1 878	2 095	2 565	
	END DISTANCES	E	1 050	1 087	1 213	1 486	1 050	1 087	1 213	1 485	1 050	1 088	1 212	1 486	1 050	1 087	1 212	1 485	1 050	1 087	1 212	1 483	1 051	1 088	1 213	1 487	
NUMBER OF DOWELS PER LINE			7	7	7	7	8	8	8	8	9	9	9	9	10	10	10	10	11	11	11	11	12	12	12	12	
CURB GIRDER LOCATION FROM ϕ BRIDGE		M	4 240	4 390	4 876	5 996	4 840	5 010	5 589	6 845	5 440	5 632	6 282	7 693	6 040	6 253	6 974	8 542	6 690	6 926	7 725	9 461	7 290	7 547	8 418	10 310	



• WORK THESE DRAWINGS TOGETHER : S-1485 AND S-1486

DESIGNED D K D K S T		DRAWN W S		DATE 87-09-29		CHECKED		DATE		STREAM		LOCATION		HIGHWAY		FILE		SHEET 2 of 2		DRAWING S-1486	
REVISIONS REV DATE DESCRIPTION BY 87-09-29 METRICATED FROM S-1172 K S T										APPROVED EXECUTIVE DIRECTOR BRIDGE ENGINEERING		Alberta TRANSPORTATION AND UTILITIES BRIDGE ENGINEERING BRANCH "SM" PRECAST BRIDGES STEEL SUBSTRUCTURE - SHEET 2									