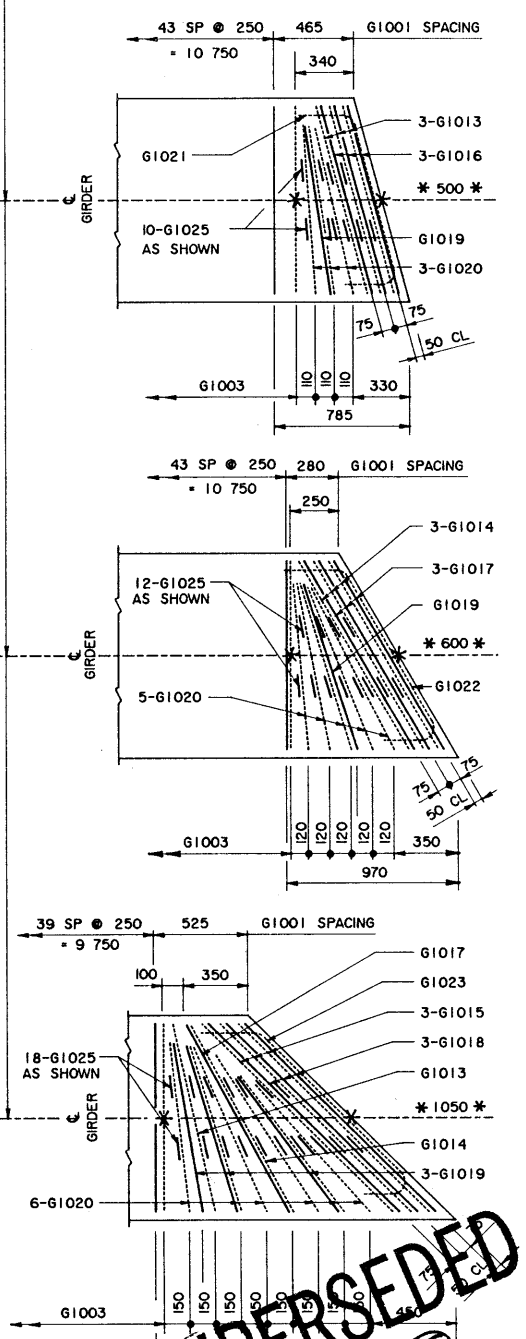


NOTE:

- SHIFT SLAB BARS TO CLEAR LIFTING HOOK POCKETS WHERE REQUIRED.
- SLAB BARS NOT DIMENSIONED ARE TIGHT AGAINST ADJACENT STIRRUP.
- USE THIS ϵ DIMENSION TO IDENTIFY THIS STIRRUP (*) IN THE STIRRUP SERIES FOR A SQUARE ENDED UNIT.



CURB GIRDER
1:50

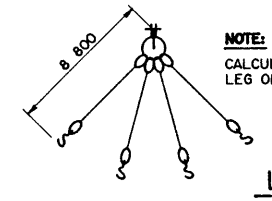
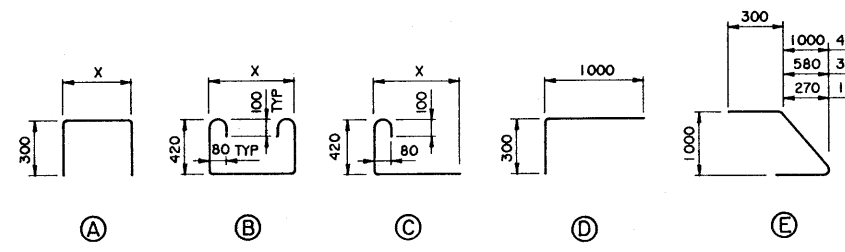
INTERIOR GIRDER
1:50

INTERIOR GIRDER REINFORCING BARS
1:20

BAR LIST: — INTERIOR SKEWED GIRDER — EXTRA BARS FOR 2 ENDS

MARK	SIZE	TYPE	X	Y	LENGTH	15° SKEW		30° SKEW		45° SKEW	
						NO	MASS	NO	MASS	NO	MASS
G1013	10	B	1 165		2 260	6	11			2	4
G1014	10	B	1 300		2 390			6	11	2	4
G1015	10	B	1 590		2 680					6	13
G1016	10	A	1 165		1 765	6	8				
G1017	10	A	1 300		1 900			6	9	2	3
G1018	10	A	1 590		2 190					6	10
G1019	10	D			1 280	2	2	2	2	6	6
G1020	10	C	1 000		1 520	6	7	10	12	12	14
G1021	10	E			1 585	2	2				
G1022	10	E			1 705			2	3		
G1023	10	E			1 965					2	3
G1025	10	C	120		670	20	11	24	13	36	19
TOTAL kg							41		50		76

BAR TYPES
(ALL DIMENSIONS ARE OUT TO OUT) NTS



LIFTING SLING
NTS

SUPERSEDED

• WORK THESE DRAWINGS TOGETHER : S-1544, S-1545 AND S-1546.

AT & U - RECORDS CENTRE
DRAWN BY

DESIGNED LEA		DRAWN VMV WS		DATE 90-07-02		CHECKED T.J.S.		DATE 90-08-23		STREAM		LOCATION		HIGHWAY		FILE		SHEET 3 of 4		DRAWING S-1546	
-----------------	--	--------------------	--	------------------	--	-------------------	--	------------------	--	--------	--	----------	--	---------	--	------	--	-----------------	--	-------------------	--

APPROVED
mm
EXECUTIVE DIRECTOR
BRIDGE ENGINEERING
DATE: **AUG 23, 1990**

Alberta TRANSPORTATION AND UTILITIES
BRIDGE ENGINEERING BRANCH

PRESTRESSED CONCRETE
12 m TYPE SC-510
INTERIOR AND CURB GIRDER LAYOUTS