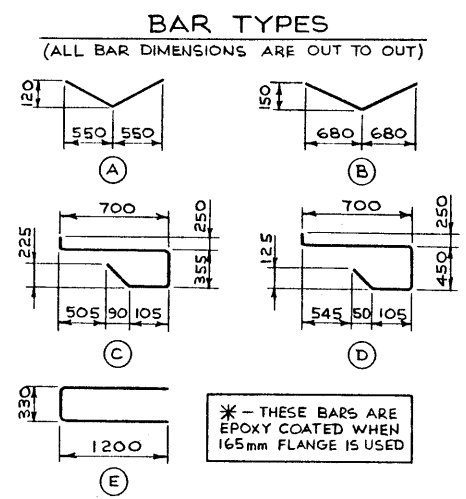
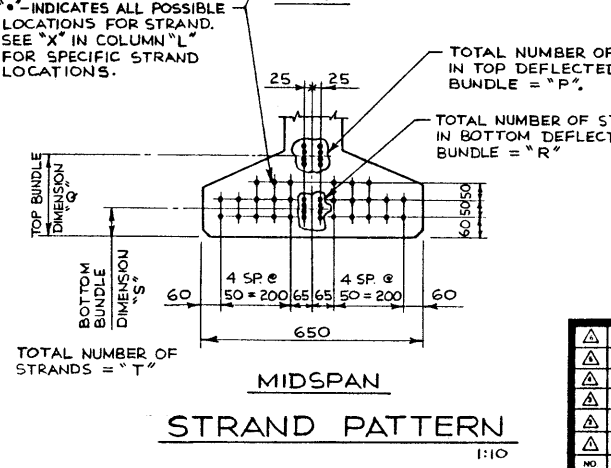
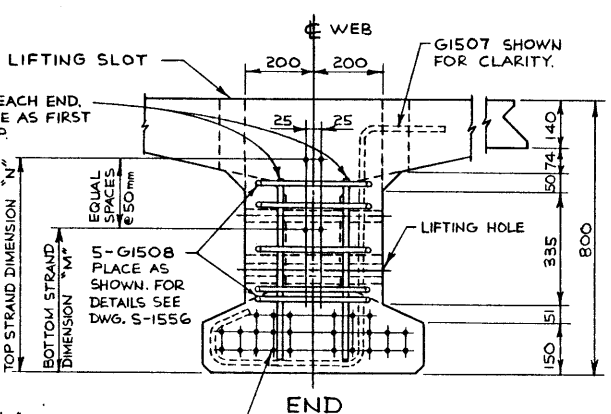
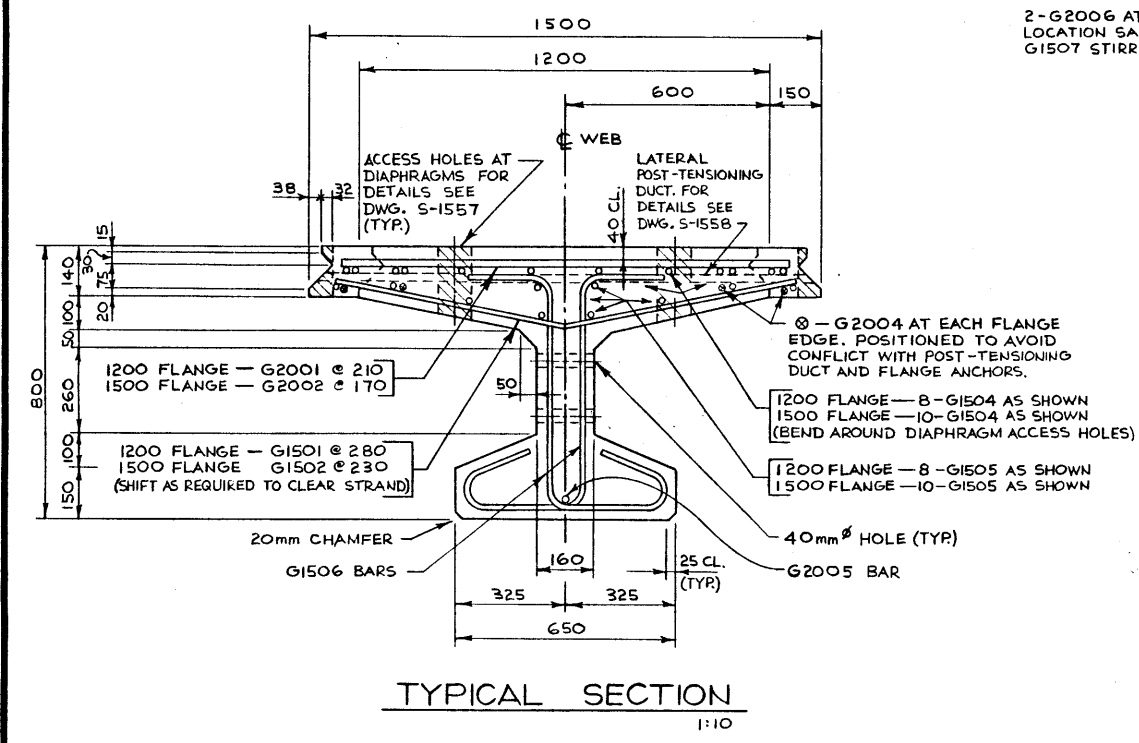


BAR LIST: TYPICAL SQUARE GIRDER

MARK	SIZE	TYPE	X	Y	FLANGE WIDTH	LENGTH
G1501	15	A			1200	1130
G1502	15	B			1500	1350
*G1504	15	STR			ALL FLANGES	
G1505	15	STR			ALL FLANGES	1650
G1507	15	D			ALL FLANGES	1640
G1508	15	E			ALL FLANGES	2730
*G2001	20	STR			1200	1000
*G2002	20	STR			1500	1300
G2004	20	STR			ALL FLANGES	
G2005	20	STR			ALL FLANGES	
G2006	20	STR			ALL FLANGES	520



"A" (m)	FLANGE CONNECTOR SPACING "D", "E", "F"	DIAPHRAGM SPACING "F"	DEF'L POINT LOC "H"	SPACING OF G1507 STIRRUPS "J" (END-INT)	INTERIOR SPACING OF G1506 STIRRUPS (END TO CL SYMM) (# @ mm)	BULG STRAND LOC'S SYMM "L"	DEFLECTED WEB STRANDS "R" @ "S"	TOT # OF STR "T"	CONC STRENGTH MPa	INITIAL STRAND FORCE (kN)	GIRDER MASS (kg)	CAMBER RELEASER FLANGE (mm)	WHEEL LINE DIST. (mm)
18	1300, 5	8825	1500	(325, 300)	(3 @ 300, 2 @ 350, 10 @ 425, 500, 2 @ 600)	xx, xx, xx, xx	360-560 (10)	10 @ 140	26	30	128.6	19.3	35/ 58
16	7000, 700	NOT REQ'D				xx, xx				38	97.5	20.5	34/ 65
14	1000, 4	7825	1500	(325, 300)	(3 @ 300, 2 @ 400, 500, 7 @ 450, 2 @ 600)	xx, xx, xx, xx	360-560 (10)	10 @ 200	22	28	128.6	17.3	26/ 46
12	5600, 1400	NOT REQ'D				xx, xx				35	100.3	18.5	27/ 52
10	700, 4	6825	1500	(325, 300)	(2 @ 250, 3 @ 300, 3 @ 400, 3 @ 450, 2 @ 600)	xx, xx, xx, xx	410-560 (8)	8 @ 250	20	28	128.6	15.3	20/ 37
8	5600, 700	NOT REQ'D				xx, xx				35	101.7	16.5	20/ 39
12	1100, 3	NOT REQ'D	1500	(325, 300)	(4 @ 300, 400, 2 @ 500, 550, 2 @ 400, 600)	xx, xx, xx, xx	460-560 (6)	6 @ 300	16	35	105.1	14.4	12/ 23
10	800, 2	NOT REQ'D	1500	(325, 300)	(2 @ 300, 2 @ 350, 450, 3 @ 600)	xx, xx, xx, xx	460-510 (4)	4 @ 250	10	28	128.6	11.1	5/ 10
8	2800, 1400	NOT REQ'D				xx, xx				35	109.2	12.3	5/ 10
8	500, 2	NOT REQ'D	0	(225, 2 @ 200)	(2 @ 250, 300, 3 @ 400, 550)	xx, xx, xx, xx	460-510 (4)	4 @ 350	10	28	128.6	9.1	2/ 4
8	2800, 700	NOT REQ'D				xx, xx				35	109.7	10.3	2/ 4



SUPERSEDED

S-1594
SHEET 6
90-10-26

APPROVED				TRANSPORTATION BRIDGE AND STRUCTURAL ENGINEERING BRANCH	
<i>DeLong</i> CHIEF BRIDGE ENGINEER				METRIC	
DBT 800 SERIES				STANDARD INTERIOR GIRDER	
DATA SHEET				S-1550	
DESIGNED	DRAWN BY	DATE	CHECKED BY	DATE	SCALE
B.L.C.	W.S.	83-12-01			SHOWN