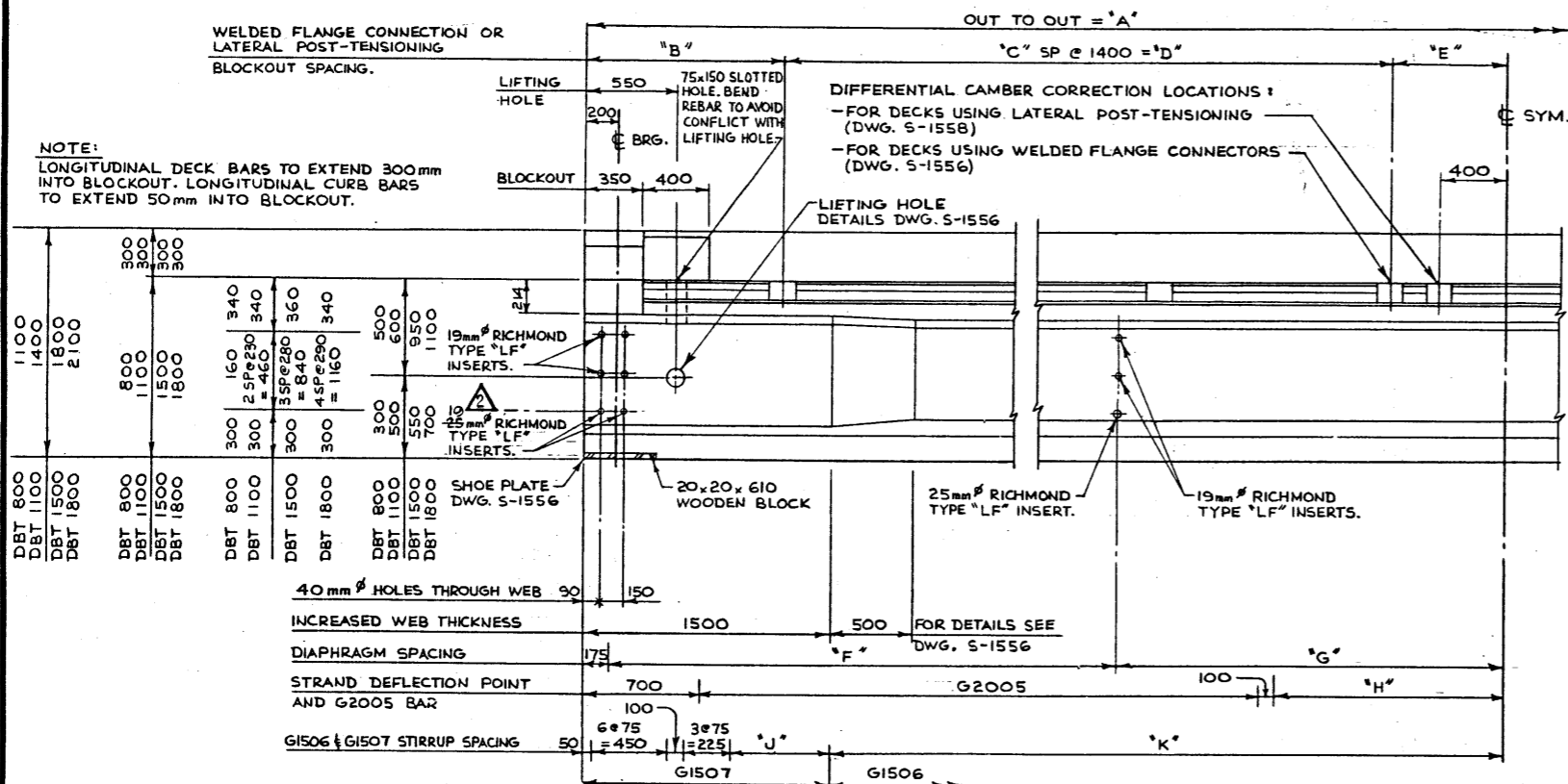
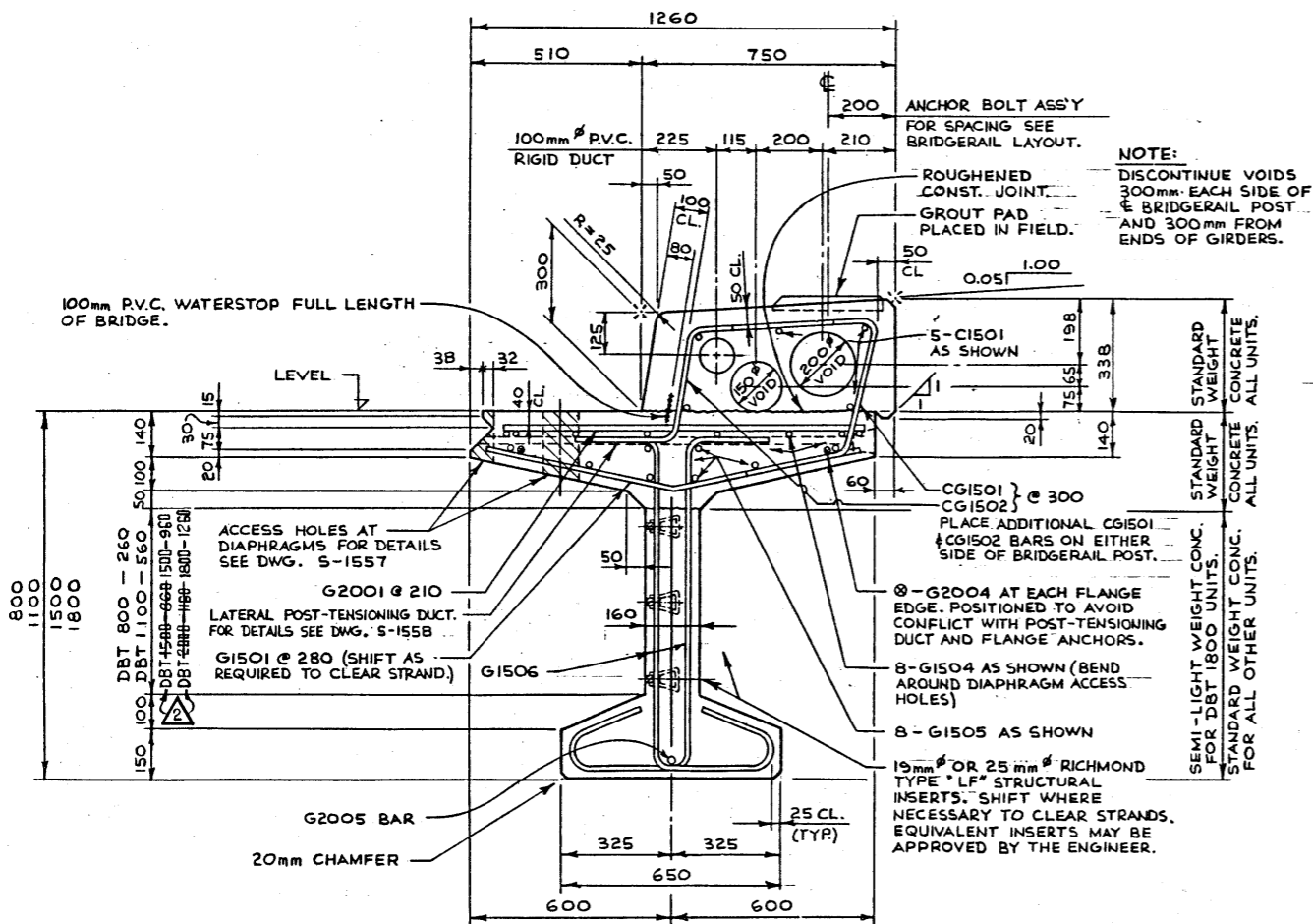


WELDED FLANGE CONNECTION OR LATERAL POST-TENSIONING BLOCKOUT SPACING.

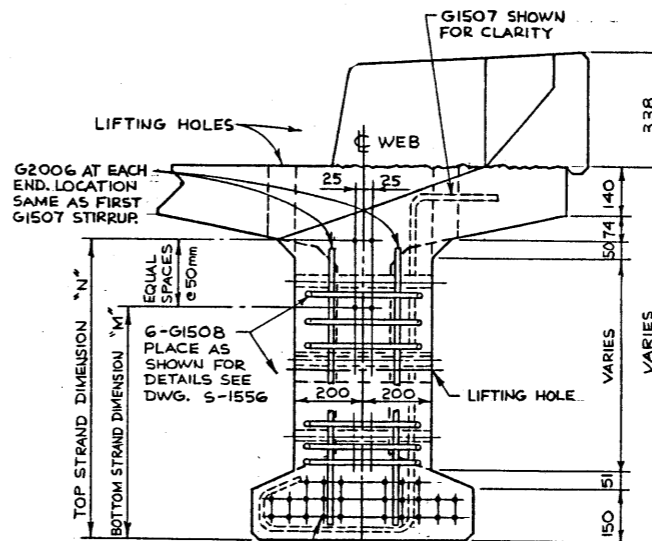
NOTE: LONGITUDINAL DECK BARS TO EXTEND 300mm INTO BLOCKOUT. LONGITUDINAL CURB BARS TO EXTEND 50mm INTO BLOCKOUT.



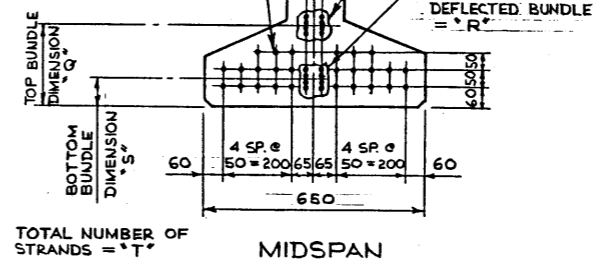
ELEVATION
DBT 1100 SHOWN 1:20



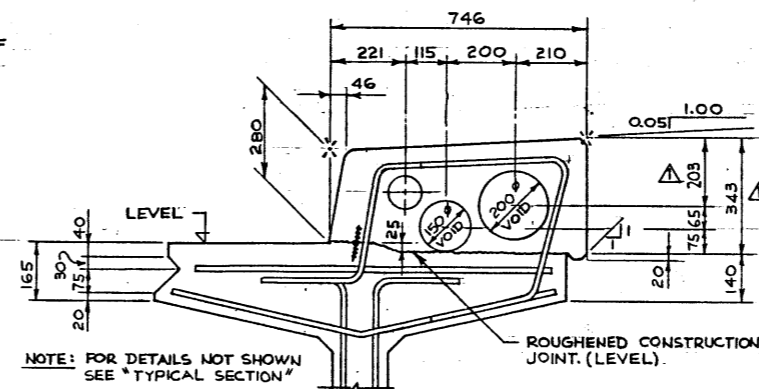
TYPICAL SECTION
DBT 1100 SHOWN 1:10



*INDICATES ALL POSSIBLE LOCATIONS FOR STRAND. SEE *X* IN COLUMN *L* FOR SPECIFIC STRAND LOCATIONS.



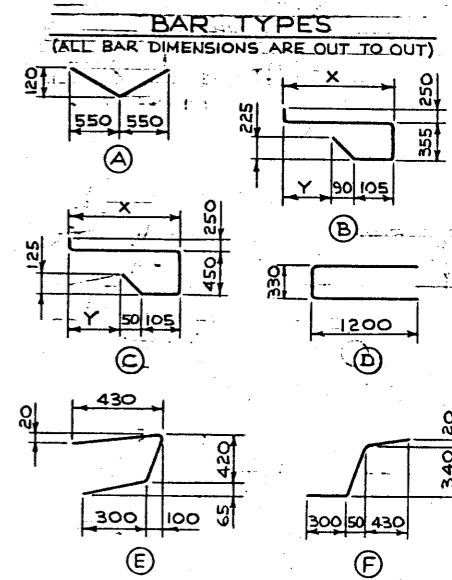
STRAND PATTERN 1:10



INCREASED FLANGE DEPTH DETAIL 1:10

BAR LIST: TYPICAL SQUARE GIRDER						
MARK	SIZE	TYPE	X	Y	GIRDER DEPTH	LENGTH
G1501	15	A			ALL DEPTHS	1130
G1504	15	STR			ALL DEPTHS	
G1505	15	STR			ALL DEPTHS	
G1506	15	B	700	505	800	1650
			1000	805	1100	1950
			1400	1205	1500	2350
			1700	1505	1800	2650
G1507	15	C	700	545	800	1640
			1000	845	1100	1940
			1400	1245	1500	2340
			1700	1545	1800	2640
G1508	15	D			ALL DEPTHS	2730
G2001	20	STR			ALL DEPTHS	1000
G2004	20	STR			ALL DEPTHS	
G2005	20	STR			ALL DEPTHS	
			800	520		
			1100	820		
G2006	20	STR			ALL DEPTHS	
			1500	1220		
			1800	1520		
CG1501	15	STR			ALL DEPTHS	
CG1501	15	E			ALL DEPTHS	1170
CG1502	15	F			ALL DEPTHS	1070

* - THESE BARS ARE EPOXY COATED WHEN 165mm FLANGE IS USED.
* - THESE BARS ARE EPOXY COATED IN ALL CASES.



SUPERSEDED
①②③

SUPERSEDED BY S-1592 SHEET 4 90-11-05

DESIGNED		DRAWN BY		DATE		CHECKED BY		DATE		STREAM		LOCATION		HWY NO		SCALE		FILE NO		SHEET		DWG NO	
B.L.C.		W.S.		83-12-01												SHOWN						S-1554	

APPROVED		DATE	
J. J. J.		FEB 11 1984	
CHIEF BRIDGE ENGINEER			

85-06-19 WEB DIMENSIONS, INSERT SIZE		B.L.C.	
84-09-25 CURB DIMENSIONS CORRECTED		B.L.C.	
REVISIONS			

Alberta TRANSPORTATION BRIDGE AND STRUCTURAL ENGINEERING BRANCH METRIC

DBT SERIES STANDARD CURB GIRDER DATA SHEET #1