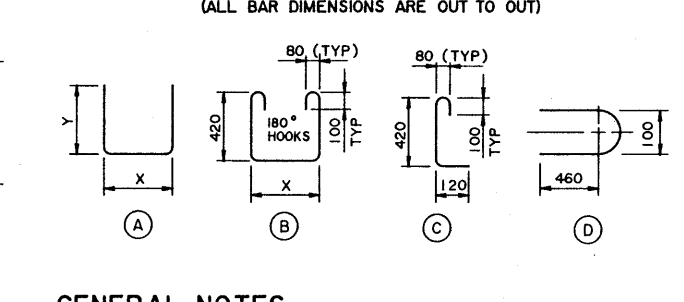
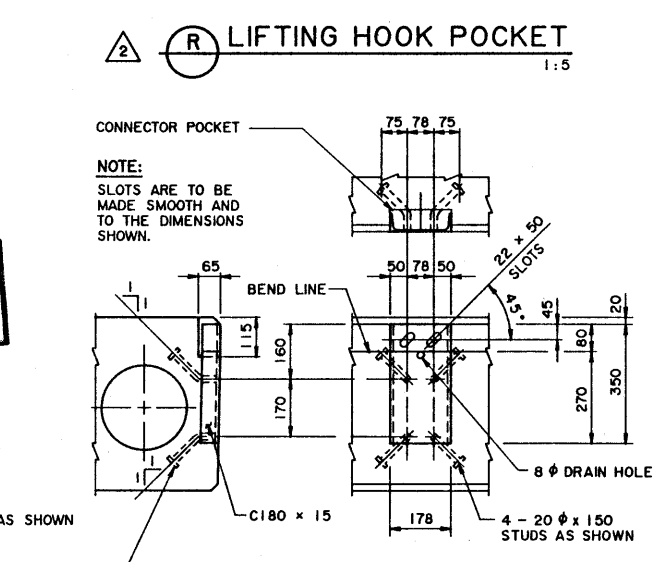
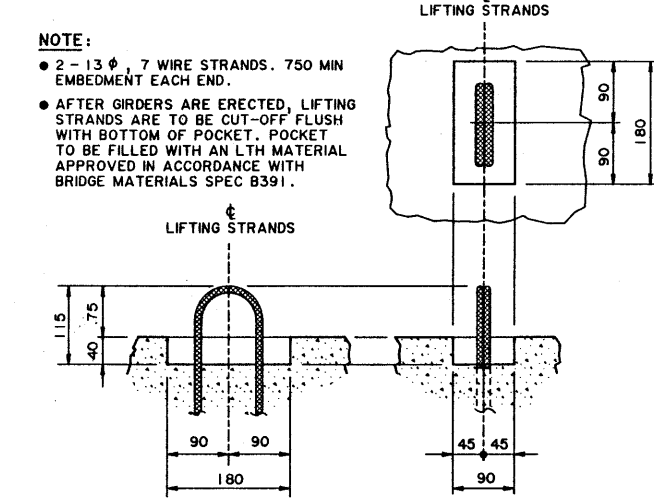
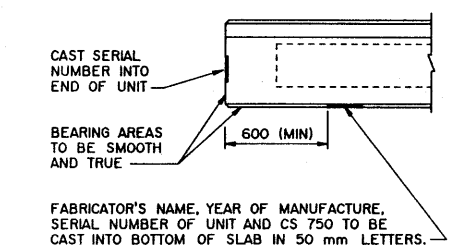
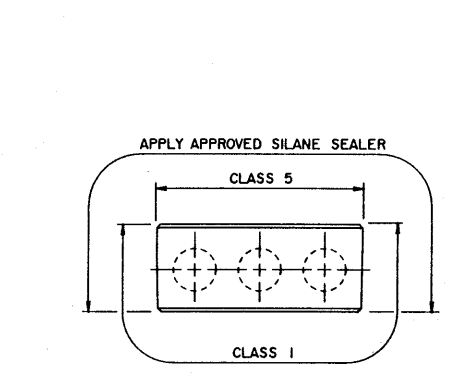
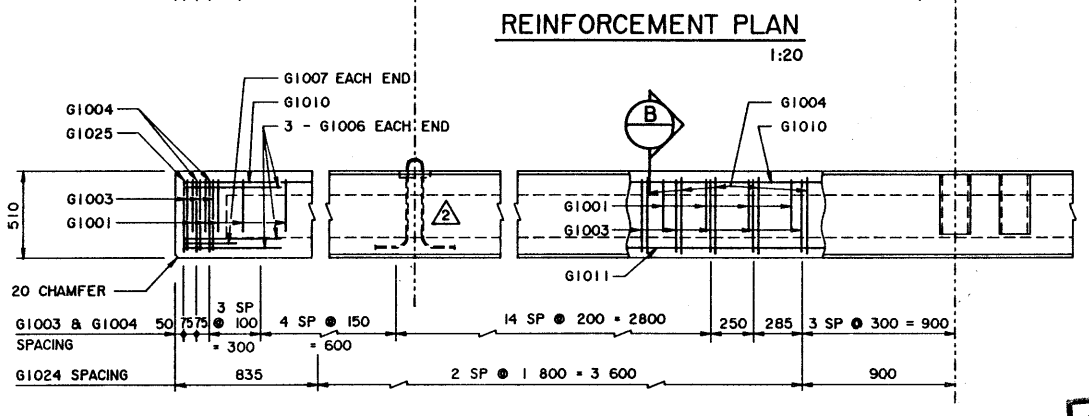
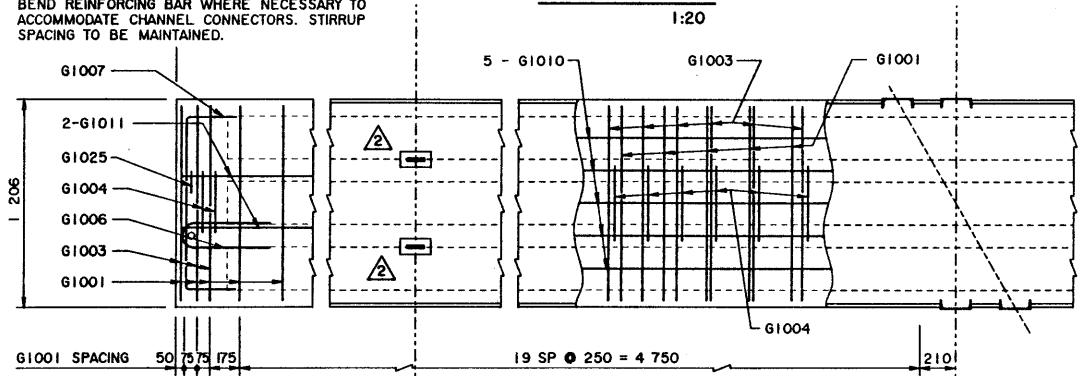


BAR LIST: FOR SQUARE GIRDER

MARK	SIZE	NO	TYPE	X	Y	LENGTH	MASS
G1001	10	47	A	1 125	300	1 725	64
G1003	10	57	B	1 125		2 220	99
G1004	10	55	B	420		1 630	70
G1006	10	6	D			1 080	5
G1007	10	2	A	1 000	300	1 600	3
G1010	10	5	STR			10 570	41
G1011	10	2	STR			10 470	16
G1024	10	6	STR			1 100	5
G1025	10	2	C			670	1
G2501	25	4	A	10 520	350	11 220	176

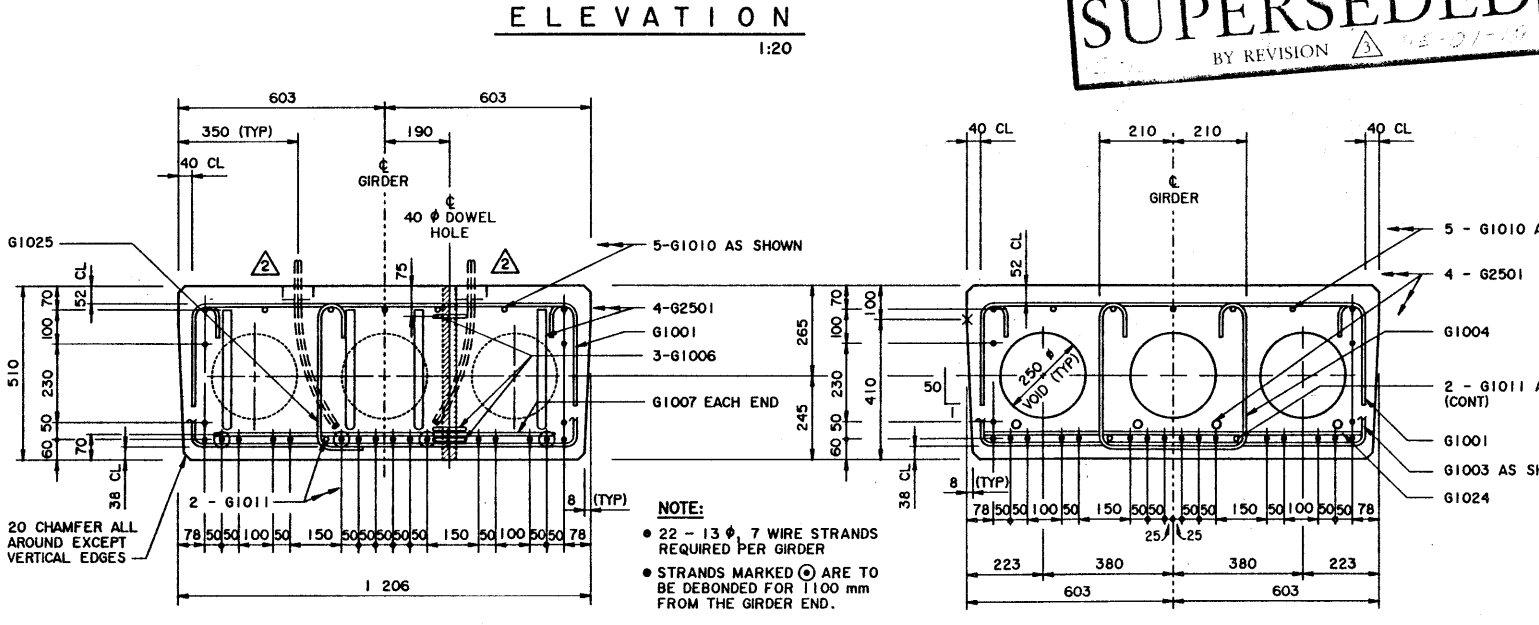
TOTAL kg : 476



- GENERAL NOTES**
- ALL DRAWING REFERENCES ARE TO CURRENT DRAWINGS.
 - DESIGN
 - CAN/CSA-S6-88 SPECIFICATIONS EXCEPT AS MODIFIED BELOW:
 - ALLOWABLE TENSION AT MIDSPAN IS 40% OF MODULUS OF RUPTURE (SEVERE EXPOSURE CONDITIONS).
 - NO TENSION ALLOWED IN DECK SURFACE.
 - LOADING:
 - LIVE LOAD - CAN/CSA-S6-88; CS-750 ONE WHEEL LINE PER GIRDER
 - DEAD LOAD - GIRDER = 0.93 t/m
 - WEARING SURFACE = 0.24 t/m

- MATERIALS**
- CONCRETE SHALL CONTAIN SILICA FUME AND BE MADE OF LIGHTWEIGHT COARSE AGGREGATE AND NATURAL SAND FINES. UNIT WEIGHT OF SEMI-LIGHTWEIGHT CONCRETE SHALL BE 1920 kg/m³.
 - 28 DAY CONCRETE STRENGTH - 35 MPa
 - RELEASE STRENGTH - 28 MPa
 - PRESTRESSING STEEL SHALL BE 13 phi, 7 WIRE LOW RELAXATION STRAND (fpu = 1860 MPa).
 - REINFORCING STEEL SHALL BE GRADE 400W (YIELD STRENGTH OF GRADE 300 USED IN DESIGN TO ALLOW TACK WELDING OF SHEAR REINFORCEMENT).
- FABRICATION**
- GIRDERS SHALL CONFORM TO THE CURRENT REQUIREMENTS OF THE BRIDGE MATERIALS SPECIFICATION FOR THE MANUFACTURE OF PRESTRESSED CONCRETE BRIDGE UNITS (SPEC B190).
 - FORCE IN PRESTRESSING STEEL:
 - INITIAL TENSIONING LOAD = 129 kN/STRAND
 - DESIGN LOAD AFTER LOSSES = 105 kN/STRAND
 - ALL GALVANIZING SHALL CONFORM TO ASTM SPEC 12.
 - BEND OR SHIFT REINFORCING WHERE REQUIRED TO CLEAR GIRDER CONNECTORS AND LIFTING HOOK ASSEMBLIES. STIRRUP SPACING TO BE MAINTAINED. FOR CONNECTOR AND LIFTING HOOK LOCATION SEE DWG S-1573.
- ERECTION**
- ANY FREE SPACE BETWEEN CONNECTORS SHALL BE FILLED WITH DROP-IN WASHERS.
 - CALCULATED MASS OF ONE GIRDER IS 10.101.

SUPERSEDED
BY REVISION 15-21-19



REVISIONS

REV	DATE	REVISIONS	CHECKED	DATE	BY
94-04-05		LIFTING HOOK POCKET	LEA		
93-12-13		BAR LIST & DWG REF NUMBER REVISED	SBD		

APPROVED

Albarta TRANSPORTATION AND UTILITIES
BRIDGE ENGINEERING BRANCH

PRESTRESSED CONCRETE
10.67 m TYPE SC-510
INTERIOR GIRDER

DESIGNED: LEA, DRAWN: VMV, DATE: 93-09-17, CHECKED: SBD, DATE: 94-05-16, STREAM, LOCATION, HIGHWAY, FILE, SHEET 1 of 4, DRAWING S-1571

SUPERSEDED