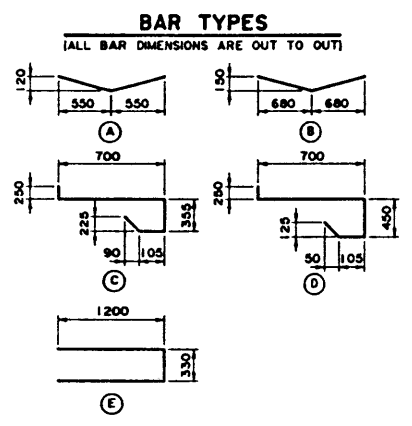
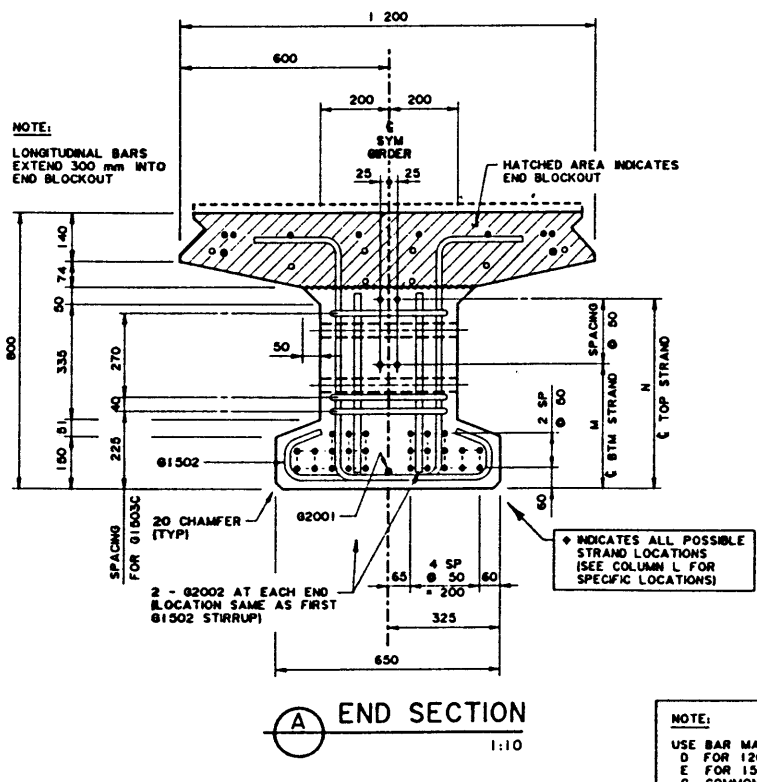


BAR LIST: TYPICAL SQUARE ORDER						
MARK	SIZE	TYPE	FLANGE WIDTH	X	Y	LENGTH
D1501	15	A	1200			1 130
E1501	15	B	1500			1 390
G1501	15	C	ALL			1 650
G1502	15	D	ALL			1 640
G1503C	15	E	ALL			2 730
G1504	15	STR	ALL			
G1505C	15	STR	ALL			
G2001C	20	STR	1200			1 000
E2001C	20	STR	1500			1 300
G2001	20	STR	ALL			
G2002	20	STR	ALL			520
G2003	20	STR	ALL			



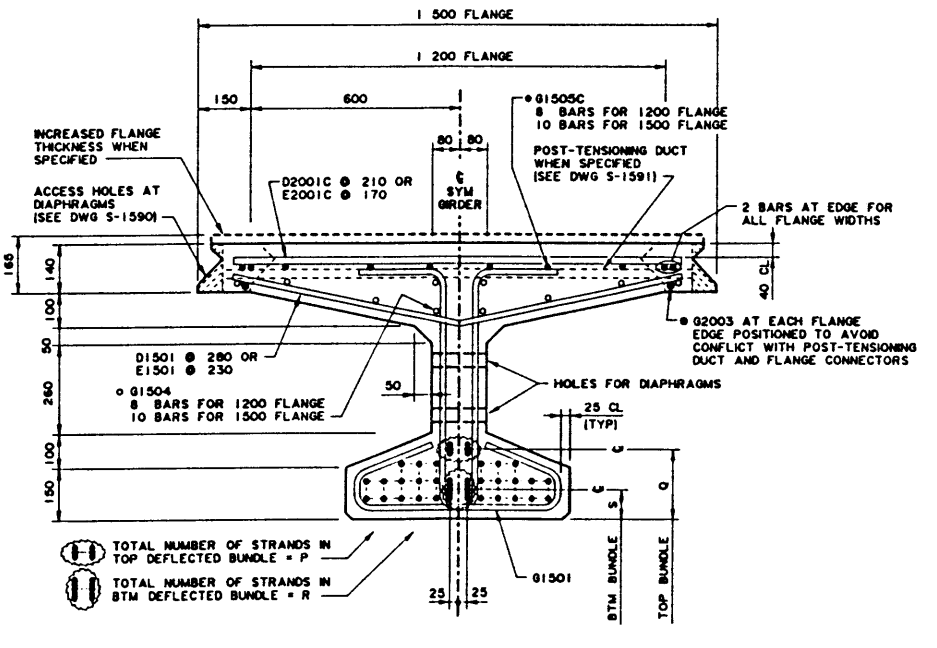
O/D IN	C BRG	FLANGE CONNECTOR SPACING		INTERMEDIATE DIAPHRAGM SPACING	DEF'L POINT	SPACING OF G1501 STIRRUPS	BALL STRAND PATTERN SYM	DEFLECTED END PATTERN	WEB STRANDS & PATTERN	TOTAL NUMBER OF STRANDS	STRAND FORCE BFG RET'L F'NAL	CONCRETE F _c MPa 28 DAY	CAMBER 140 FLANGE 180 FLANGE			WHEEL MASS III PER FLANGE	WHEEL MASS III PER ORDER
		D E	F										RLSE	ERECT	FINAL		
18	200	1300	5 7000	700	1	8825 0	1800	13 @ 150, 13 @ 250, 3 @ 350, 3 @ 450	360 - 560 (10)	10 @ 140	26	128.6 94.2	30 29	40 30	56 40	18.8 20.0	0.722
16	200	1000	4 9600	1400	1	7825 0	1800	12 @ 150, 10 @ 250, 4 @ 350, 2 @ 450	360 - 560 (10)	10 @ 200	22	128.6 101.2	28 20	34 20	40 40	16.8 17.3	0.737
14	200	700	4 9600	700	1	8825 0	1500	10 @ 150, 3 @ 200, 8 @ 250, 3 @ 350, 4 @ 450	410 - 560 (14)	8 @ 250	20	128.6 102.3	28 14	25 15	31 25	14.9 15.7	0.762
12	200	1100	3 4200	700	0	--	1800	7 @ 150, 4 @ 200, 5 @ 250, 3 @ 350, 4 @ 450	460 - 560 (14)	6 @ 300	16	128.6 105.5	28 9	15 15	18 20	12.7 13.4	0.773
16	200	1000	4 9600	1400	1	7825 0	1800	11 @ 150, 3 @ 200, 11 @ 250, 2 @ 350, 2 @ 450	210 - 560 (11)	6 @ 275, 10 @ 165	24	128.6 99.3	28 22	36 23	44 25	18.8 20.0	0.919
14	200	700	4 9600	700	1	8825 0	1500	10 @ 150, 3 @ 200, 8 @ 250, 3 @ 350, 4 @ 450	360 - 560 (10)	10 @ 250	22	128.6 101.6	28 15	27 15	33 36	15.4 17.6	0.936
12	200	1100	3 4200	700	0	--	0	8 @ 125, 8 @ 150, 4 @ 200, 8 @ 250, 3 @ 350	360 - 560 (10)	10 @ 225	20	128.6 101.7	28 11	18 19	23 23	14.0 15.0	0.963

ELEVATION
1:20



(A) END SECTION
1:10

NOTE:
USE BAR MARKS PREFIXED:
D FOR 1200 FLANGE
E FOR 1500 FLANGE
G COMMON FOR ALL FLANGES



(B) TYP SECTION
1:10

SHOWS MIDSPAN STRAND PATTERN

DESIGNED	TL	DRAWN	MIK VGB	DATE	90-10-26	CHECKED		DATE		STREAM		LOCATION		HIGHWAY		FILE		SHEET		DRAWING	
----------	----	-------	---------	------	----------	---------	--	------	--	--------	--	----------	--	---------	--	------	--	-------	--	---------	--

APPROVED
[Signature]
EXECUTIVE DIRECTOR
BRIDGE ENGINEERING

Albera TRANSPORTATION AND UTILITIES
BRIDGE ENGINEERING BRANCH

STANDARD DBC SERIES
800 DEEP INTERIOR GIRDER

REV	DATE	DESCRIPTION	BY
90-10-26		REDRAWN FROM DWG S-1550	TL

DATE 91-03-07

SHEET 6 OF S-1594