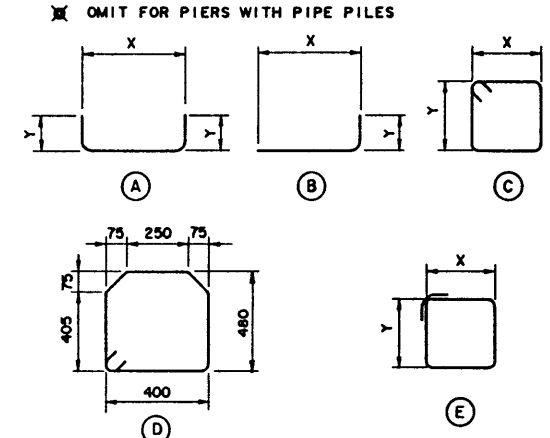


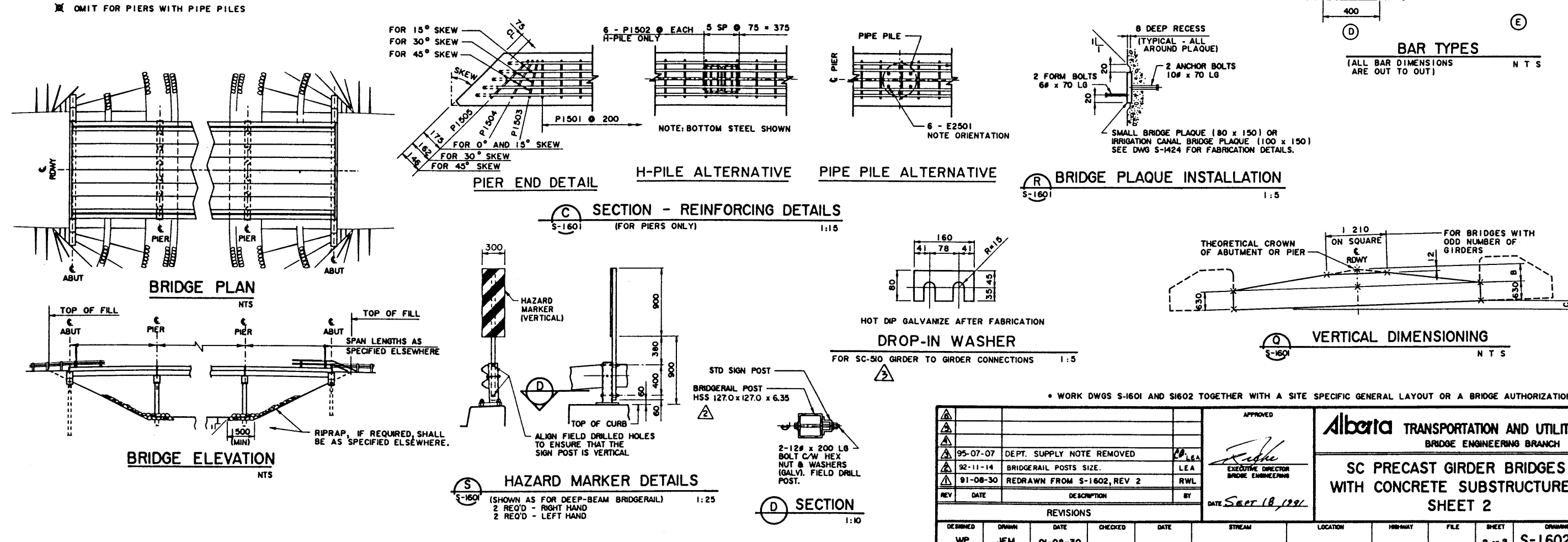
DATA FOR STANDARD SC PRECAST GIRDER BRIDGES

CLEAR ROADWAY (GIRDERS PER SPAN)	8000 (8)				9200 (9)				10400 (10)				11600 (11)				12800 (12)				14000 (13)				
	0°	15°	30°	45°	0°	15°	30°	45°	0°	15°	30°	45°	0°	15°	30°	45°	0°	15°	30°	45°	0°	15°	30°	45°	
OVERALL WIDTH	9100	9420	10508	12870	10300	10664	11894	14566	11500	11906	13278	16266	12800	13248	14780	18104	14000	14494	16168	19802	15200	15734	17552	21498	
CROWN	91	91	91	91	103	103	103	103	118	118	118	118	128	128	128	128	140	140	140	140	152	152	152	152	
DIFFERENTIAL FOR ROADWAY GRADE OF	1% C	0	24	53	91	0	28	59	103	0	31	66	115	0	34	74	128	0	38	81	140	0	41	88	152
	2% C	0	49	105	182	0	55	119	206	0	62	133	230	0	69	148	256	0	75	162	280	0	81	176	304
	3% C	0	73	158	273	0	83	178	309	0	92	199	345	0	103	222	384	0	113	242	420	0	122	263	456
ABUT WING PROJECTION	1200	1250	1400	1700	1200	1250	1400	1700	1200	1250	1400	1700	1200	1250	1400	1700	1200	1250	1400	1700	1200	1250	1400	1700	
ABUT WING PILE LOCATION	1300	1350	1500	1850	1300	1350	1500	1850	1300	1350	1500	1850	1300	1350	1500	1850	1300	1350	1500	1850	1300	1350	1500	1850	
MAIN PILE NUMBER	6	6	6	6	6	6	6	6	7	7	7	7	8	8	8	8	9	9	9	9	9	9	9	9	
SPACING	1400	1449	1617	1980	1640	1698	1894	2319	1567	1622	1809	2216	1529	1582	1765	2162	1488	1540	1718	2104	1638	1695	1891	2316	
END DISTANCE	1050	1087	1212	1485	1050	1087	1212	1485	1050	1087	1212	1485	1050	1087	1212	1485	1050	1087	1212	1485	1050	1087	1212	1485	
NUMBER PER LINE	8	8	8	8	9	9	9	9	10	10	10	10	11	11	11	11	12	12	12	12	13	13	13	13	
SPACING	1210	1253	1397	1711	1210	1253	1397	1711	1210	1253	1397	1711	1210	1253	1397	1711	1210	1253	1397	1711	1210	1253	1397	1711	
END DISTANCES	1010	1046	1166	1428	1010	1046	1166	1428	1010	1046	1166	1428	1010	1046	1166	1428	1010	1046	1166	1428	1010	1046	1166	1428	
NUMBER OF STIRRUPS	71	73	82	102	76	83	92	112	84	86	96	118	92	94	105	129	100	102	114	140	100	110	122	148	
LENGTH OF MAIN BARS	12000	12000	12000	12000	12000	12000	12000	12000	12000	12000	12000	12000	12000	12000	12000	12000	12000	12000	12000	12000	12000	12000	12000	12000	
NUMBER OF WING BARS	5	5	6	7	5	5	6	7	5	5	6	7	5	5	6	7	5	5	6	7	5	5	6	7	
NUMBER OF DOWELS	8	8	8	8	9	9	9	9	10	10	10	10	11	11	11	11	12	12	12	12	13	13	13	13	
NUMBER OF STIRRUPS	36	36	36	36	36	36	36	36	42	42	42	42	48	48	48	48	54	54	54	54	54	54	54	54	
NUMBER OF STIRRUPS	44	44	49	61	49	54	59	71	57	57	63	77	65	65	72	88	73	73	81	99	73	81	89	107	
NUMBER OF STIRRUPS	36	36	36	36	36	36	36	36	42	42	42	42	48	48	48	48	54	54	54	54	54	54	54	54	
NUMBER OF STIRRUPS	2	2	2	2	2	2	2	2	2	2	2	2	2	2	2	2	2	2	2	2	2	2	2	2	
NUMBER OF STIRRUPS	2	2	2	2	2	2	2	2	2	2	2	2	2	2	2	2	2	2	2	2	2	2	2	2	
NUMBER OF STIRRUPS	2	2	2	2	2	2	2	2	2	2	2	2	2	2	2	2	2	2	2	2	2	2	2	2	
LENGTH OF TEMP BARS	8800	9120	10190	12510	10000	10360	11570	14100	11200	11600	12900	15600	12500	12900	14300	17100	13800	14200	15600	18500	15100	15500	16900	20000	
NUMBER OF SPLICE TIES	2	2	2	2	2	2	2	2	2	2	2	2	2	2	2	2	2	2	2	2	2	2	2	2	
LENGTH OF MAIN BARS	8950	9270	10340	12660	10150	10510	11720	14250	11350	11750	13000	15550	12650	13050	14300	17100	13950	14350	15600	18500	15250	15650	16900	20000	
NUMBER OF SPLICE TIES	4	4	4	4	4	4	4	4	4	4	4	4	4	4	4	4	4	4	4	4	4	4	4	4	
LENGTH OF MAIN BARS				10980				10190				11770				12040				11600				11990	
NUMBER OF SPLICE TIES				4				4				4				4				4				4	
LENGTH OF MAIN BARS				3060				5550				2720				5390				2430				2490	
NUMBER OF SPLICE TIES				4				4				4				4				4				4	
LENGTH OF MAIN BARS	8800	9120	10190	12510	10000	10360	11570	14100	11200	11600	12900	15600	12500	12900	14300	17100	13800	14200	15600	18500	15100	15500	16900	20000	
NUMBER OF SPLICE TIES	7	7	7	7	7	7	7	7	7	7	7	7	7	7	7	7	7	7	7	7	7	7	7	7	
LENGTH OF MAIN BARS								11080				12410				10670				10930				12140	
NUMBER OF SPLICE TIES								7				7				7				7				7	
LENGTH OF MAIN BARS								4120				1550				6240				3020				3320	
NUMBER OF SPLICE TIES								7				7				7				7				7	
NUMBER OF DOWELS	16	16	16	16	18	18	18	18	20	20	20	20	22	22	22	22	24	24	24	24	26	26	26	26	

MARK	SIZE	TYPE	X	Y	LENGTH
A1501	15	D			1 950
A2501	25	STR			12 000
A2502	25	STR			M
W1501	15	STR			12 000
Z2001	20	STR			750
E2501	25	STR			700
P1501	15	C	400	480	2 040
P1502	15	E	230	480	1 700
P1503	15	C	415	480	2 070
P1504	15	C	460	480	2 160
P1505	15	C	565	480	2 370
P1506	15	STR			N
P1507	15	STR			500
P2501	25	A	X	400	X + 800
P2502	25	B	X	400	X + 400
P2503	25	B	X	400	X + 400
P2504	25	STR			N
P2505	25	STR			N
P2506	25	STR			N



BAR TYPES
[ALL BAR DIMENSIONS ARE OUT TO OUT] N T S



REV	DATE	DESCRIPTION	BY
95-07-07		DEPT. SUPPLY NOTE REMOVED	LEA
92-11-14		BRIDGERAIL POSTS SIZE.	LEA
91-08-30		REDRAWN FROM S-1602, REV 2	RWL

DESIGNED	DRAWN	CHECKED	DATE	STREAM	LOCATION	HIGHWAY	FILE	SHEET	DRAWING
WP	JFM		91-08-30					2 of 2	S-1602-91