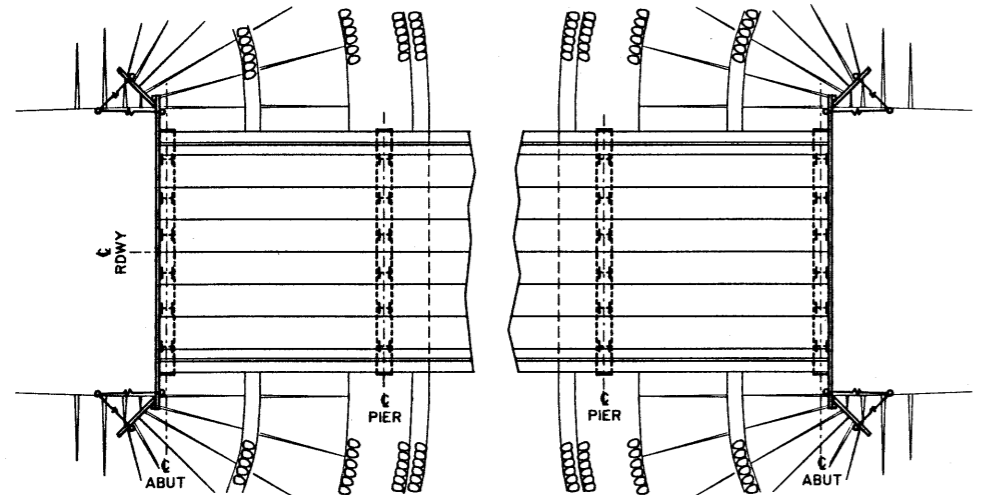
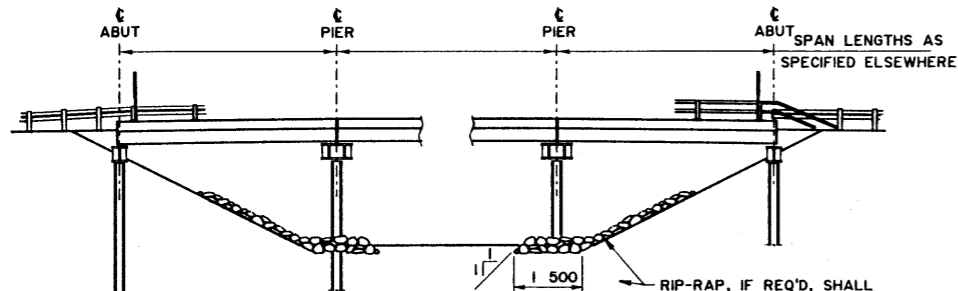


TABLE OF DIMENSIONS

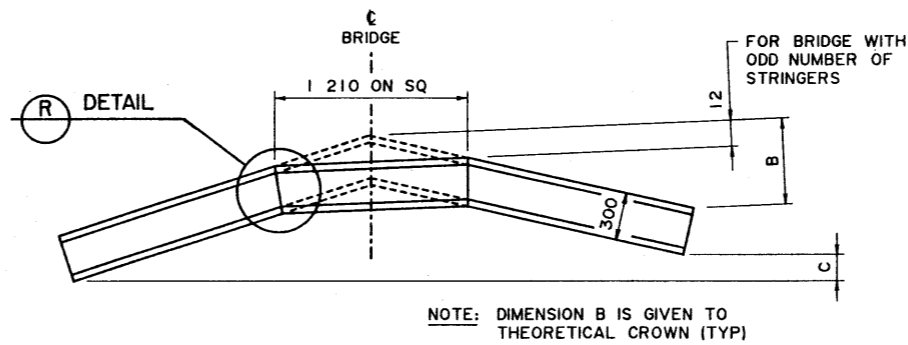
CLEAR ROADWAY (GIRDERS / SPAN)		8 000 (8)				9 200 (9)				10 400 (10)				11 600 (11)				12 800 (12)				14 000 (13)					
SKEW		0°	15°	30°	45°	0°	15°	30°	45°	0°	15°	30°	45°	0°	15°	30°	45°	0°	15°	30°	45°	0°	15°	30°	45°		
GENERAL	OVERALL LENGTH	A	9 100	9 420	10 508	12 870	10 300	10 664	11 894	14 566	11 500	11 906	13 278	16 266	12 800	13 248	14 780	18 104	14 000	14 494	16 168	19 802	15 200	15 734	17 552	21 498	
	CROWN	B	91	91	91	91	103	103	103	103	115	115	115	115	128	128	128	140	140	140	140	140	152	152	152	152	
	DIFFERENTIAL FOR ROADWAY GRADE OF	1% C	C	0	24	53	91	0	28	59	103	0	31	66	115	0	34	74	128	0	38	81	140	0	41	88	152
		2% C	C	0	49	105	182	0	55	119	206	0	62	133	230	0	69	148	256	0	75	162	280	0	81	176	304
3% C		C	0	73	158	273	0	83	178	309	0	92	199	345	0	103	222	384	0	113	242	420	0	122	263	456	
PILES	NUMBER		6	6	6	6	6	6	6	6	7	7	7	7	8	8	8	8	9	9	9	9	9	9	9	9	
	SPACING	D	1 400	1 449	1 617	1 980	1 640	1 698	1 894	2 319	1 567	1 622	1 809	2 216	1 529	1 582	1 765	2 162	1 488	1 540	1 718	2 104	1 638	1 695	1 891	2 316	
	END DISTANCES	E	1 050	1 087	1 212	1 485	1 050	1 087	1 212	1 485	1 050	1 087	1 212	1 485	1 050	1 087	1 212	1 485	1 050	1 087	1 212	1 485	1 050	1 087	1 212	1 485	
NUMBER OF DOWELS PER LINE		8	8	8	8	9	9	9	9	10	10	10	10	11	11	11	11	12	12	12	12	13	13	13	13		
CURB GIRDER LOCATION FROM BRIDGE	M	4 450	4 607	5 138	6 293	5 050	5 228	5 831	7 142	5 650	5 849	6 524	7 990	6 250	6 470	7 217	8 839	6 850	7 092	7 910	9 687	7 450	7 713	8 603	10 536		
NOMINAL GAP BETWEEN GIRDERS	N	7.4	7.7	8.5	10.5	5.8	6.0	6.7	8.2	4.4	4.6	5.1	6.2	3.4	3.5	3.9	4.8	2.5	2.6	2.9	3.5	1.8	1.9	2.1	2.5		



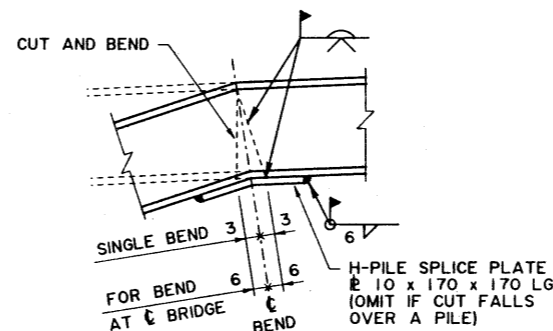
BRIDGE PLAN
N T S



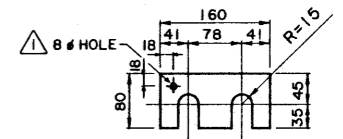
BRIDGE ELEVATION
N T S



DETAIL Q
S-1603 NTS
(FOR B & C DIMENSIONS)

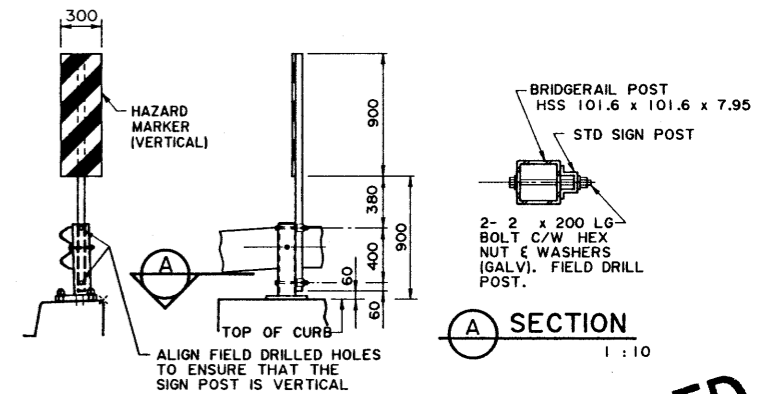


DETAIL R
NTS



HOT DIP GALVANIZE AFTER FABRICATION

DETAIL T
S-1603 FOR SC-510 GIRDER TO GIRDER CONNECTIONS 1:5
(SUPPLIED BY THE DEPARTMENT IN 2mm AND 4mm THICKNESSES)



SECTION A
HAZARD MARKER DETAILS
S-1603 (SHOWN AS FOR DEEP-BEAM BRIDGES) 1:25
2 REQ'D - RIGHT HAND
2 REQ'D - LEFT HAND

SUPERSEDED
BY S-1604-93
rev. Δ
93-08-01

* WORK DWGS S-1603 AND S-1604 TOGETHER WITH A SITE SPECIFIC GENERAL LAYOUT OR A BRIDGE AUTHORIZATION.

SUPERSEDED

DESIGNED KST		DRAWN VGB MIK		DATE 90-11-14		CHECKED		DATE		STREAM		LOCATION		HIGHWAY		FILE		SHEET 2 of 2		DRAWING S-1604	
APPROVED EXECUTIVE DIRECTOR BRIDGE ENGINEERING DATE Dec 3, 1990										Alberta TRANSPORTATION AND UTILITIES BRIDGE ENGINEERING BRANCH SC PRECAST GIRDER BRIDGES WITH STEEL SUBSTRUCTURES SHEET 2											

