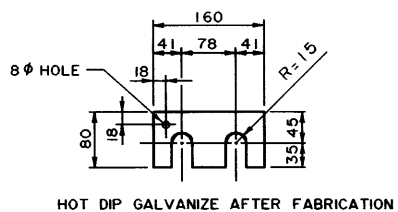
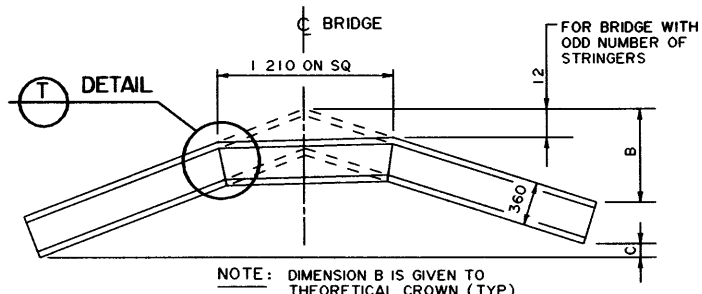
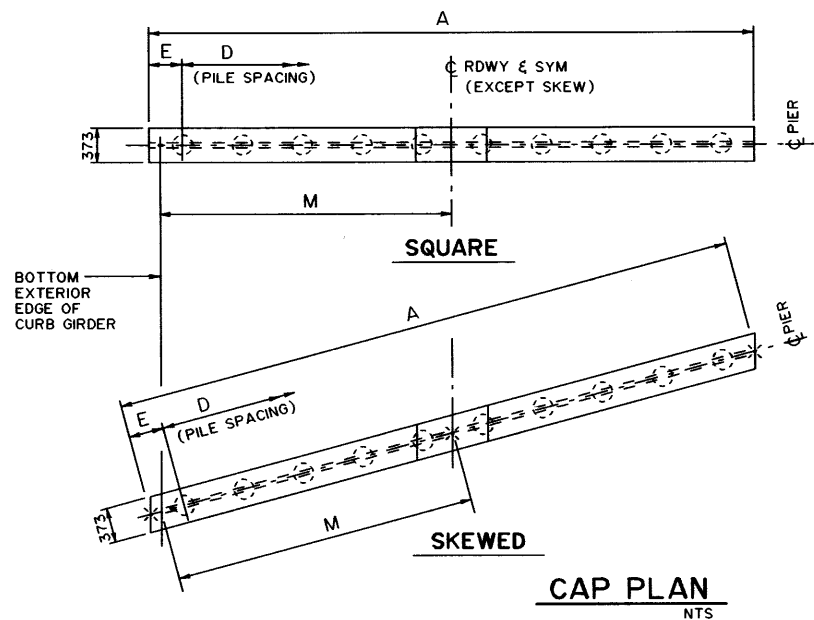
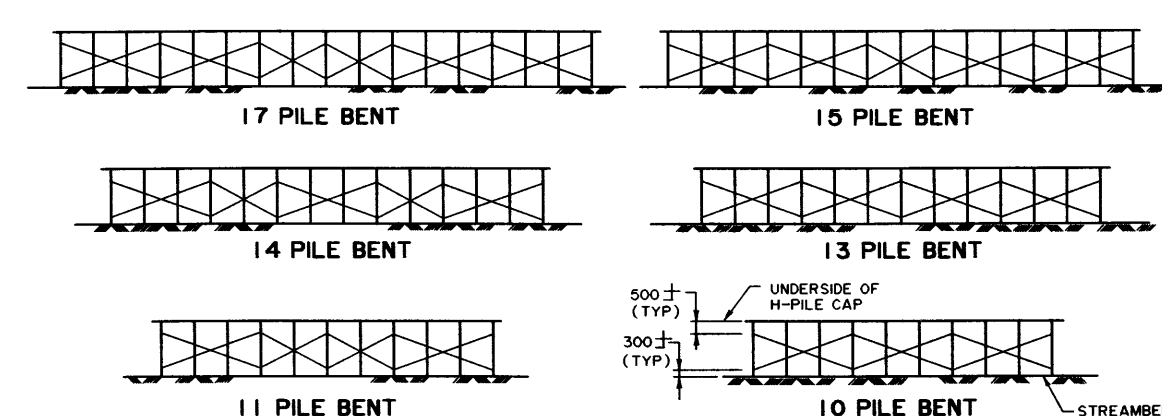
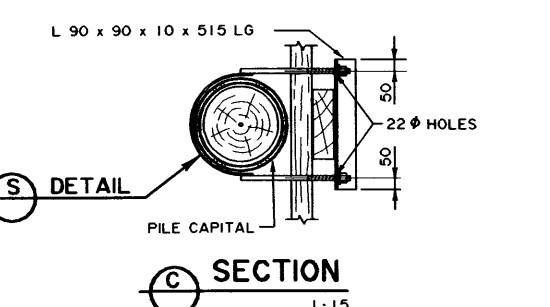
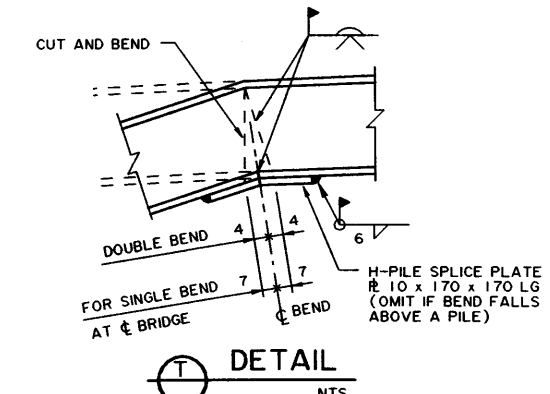
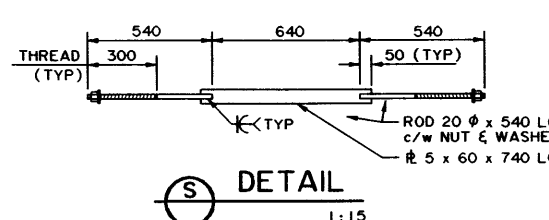
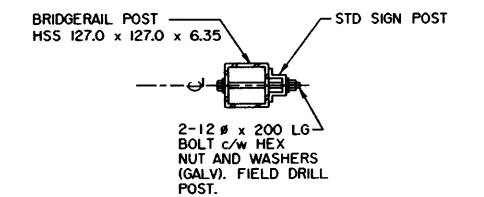
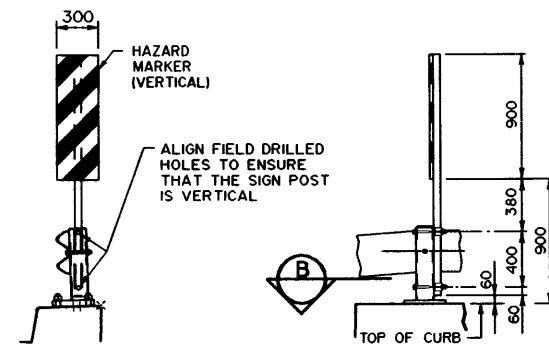
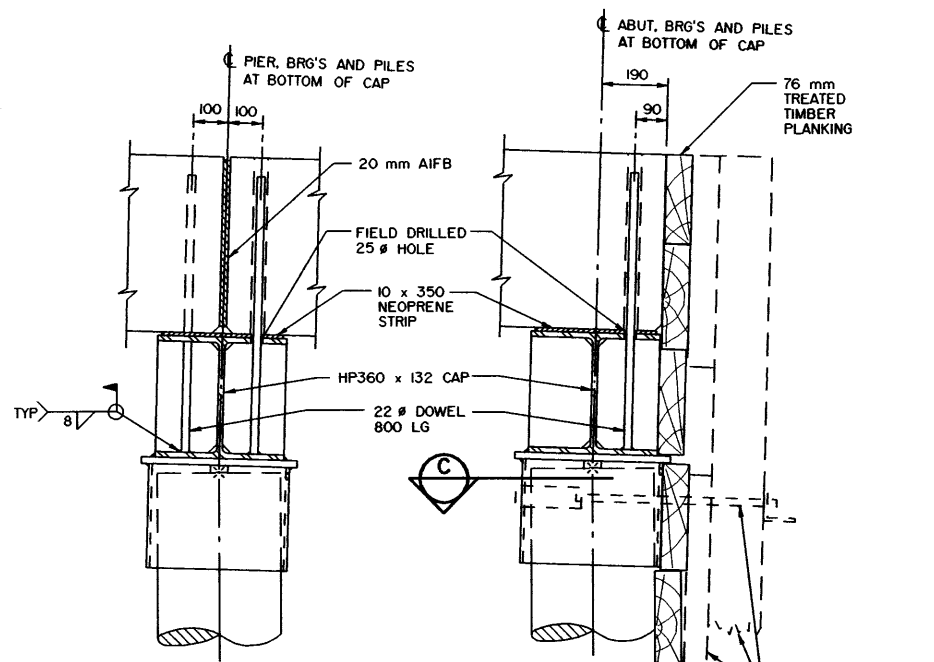
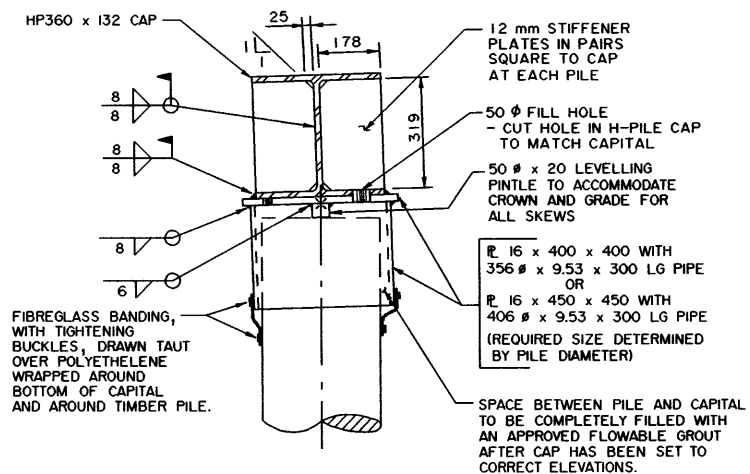
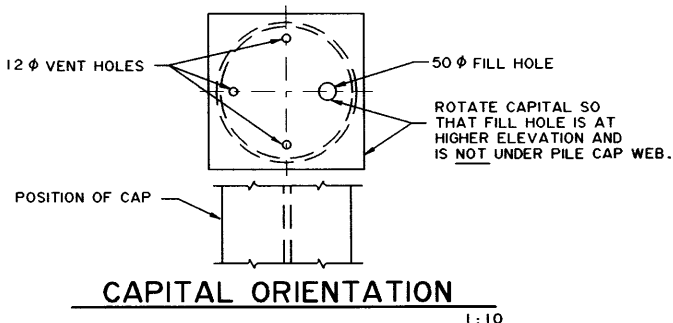


DATA FOR STANDARD SC PRECAST GIRDER BRIDGES

CLEAR ROADWAY (GIRDERS PER SPAN)	8000 (8)				9200 (9)				10400 (10)				11600 (11)				12800 (12)				14000 (13)				
	0°	15°	30°	45°	0°	15°	30°	45°	0°	15°	30°	45°	0°	15°	30°	45°	0°	15°	30°	45°	0°	15°	30°	45°	
OVERALL WIDTH	9100	9420	10510	12870	10300	10660	11890	14570	11500	11910	13280	16260	12800	13250	14780	18100	14000	14490	16170	19800	15200	15740	17550	21500	
CROWN	91	91	91	91	103	103	103	103	115	115	115	115	128	128	128	128	140	140	140	140	152	152	152	152	
DIFFERENTIAL FOR ROADWAY GRADE OF	1 %	0	24	53	91	0	28	59	103	0	31	66	115	0	34	74	128	0	38	81	140	0	41	88	152
	2 %	0	49	105	182	0	55	119	206	0	62	133	230	0	69	148	256	0	75	162	280	0	81	176	304
	3 %	0	73	158	273	0	83	178	309	0	92	199	345	0	103	222	384	0	113	242	420	0	122	263	456
NUMBER	10	10	10	10	11	11	11	11	13	13	13	13	14	14	14	14	15	15	15	15	17	17	17	17	
SPACING	900	932	1040	1272	900	932	1040	1272	900	932	1040	1272	900	932	1040	1272	900	932	1040	1272	900	932	1040	1272	
END DISTANCE	500	516	575	711	650	670	745	925	350	363	400	498	550	567	630	782	700	721	805	996	400	414	455	574	
NUMBER OF DOWELS PER LINE	8	8	8	8	9	9	9	9	10	10	10	10	11	11	11	11	12	12	12	12	13	13	13	13	
CURB GIRDER LOCATION FROM CENTRELINE OF BRIDGE	4450	4607	5138	6293	5050	5228	5831	7142	5650	5849	6524	7990	6250	6470	7217	8839	6850	7092	7910	9687	7450	7713	8603	10536	
NOMINAL GAP BETWEEN GIRDERS	7	8	8	10	6	6	7	8	4	5	5	6	3	3	4	5	3	3	4	2	2	2	2	3	



FOR SC-510 GIRDER TO GIRDER CONNECTIONS (SUPPLIED BY THE DEPARTMENT IN 2 mm AND 4 mm THICKNESSES) 1:5



WORK DWGS S-1605 AND S-1606 TOGETHER WITH A SITE SPECIFIC GENERAL LAYOUT OR A BRIDGE AUTHORIZATION.

DESIGNED LEA		DRAWN WS JFM		DATE 92-05-15		CHECKED		DATE		STREAM		LOCATION		HIGHWAY		FILE		SHEET 2 of 2		DRAWING S-1606	
APPROVED EXECUTIVE DIRECTOR BRIDGE ENGINEERING										Alberta TRANSPORTATION AND UTILITIES BRIDGE ENGINEERING BRANCH SC GIRDER BRIDGES WITH TREATED TIMBER SUBSTRUCTURES SHEET 2											