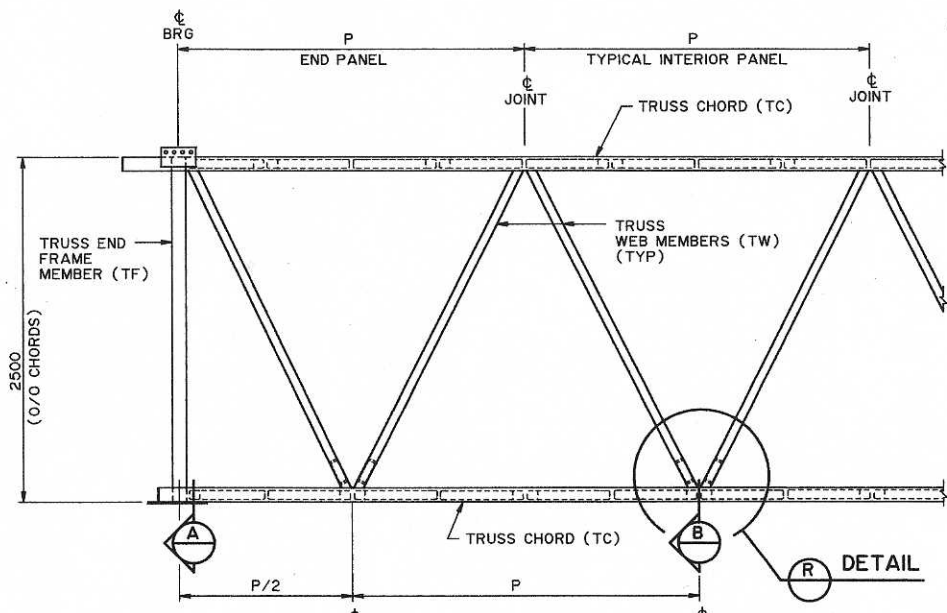
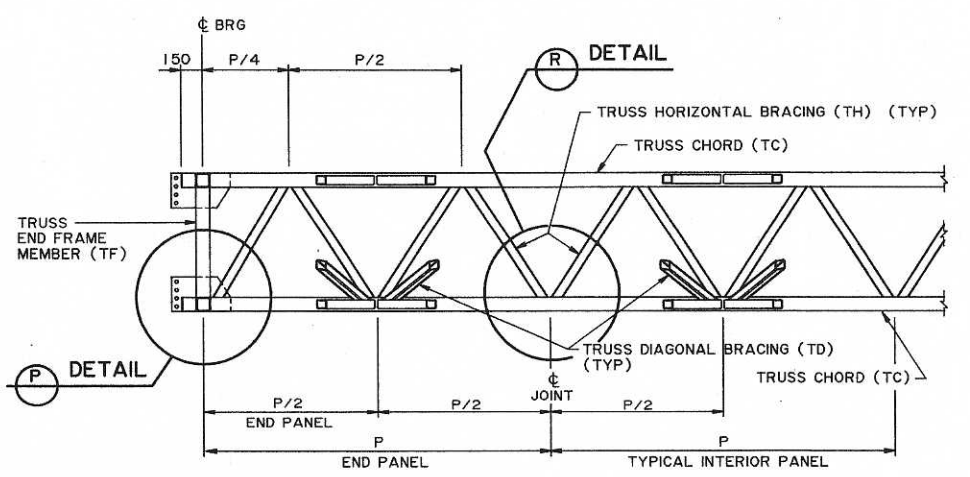


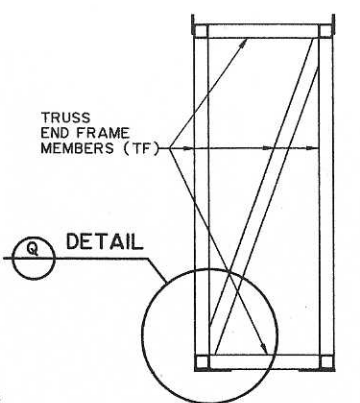
**PLAN - TOP CHORD & HORIZONTAL BRACING**  
(LOOKING DOWN) 1:25



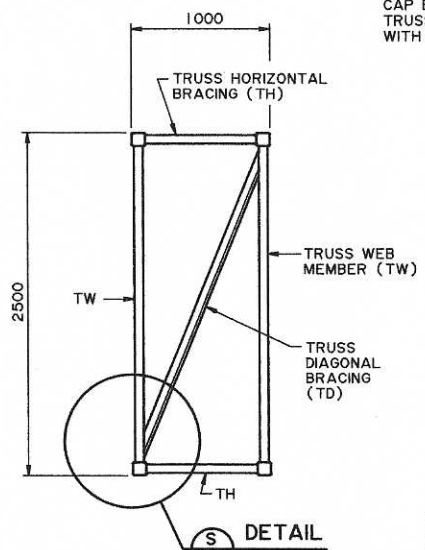
**ELEVATION** 1:25



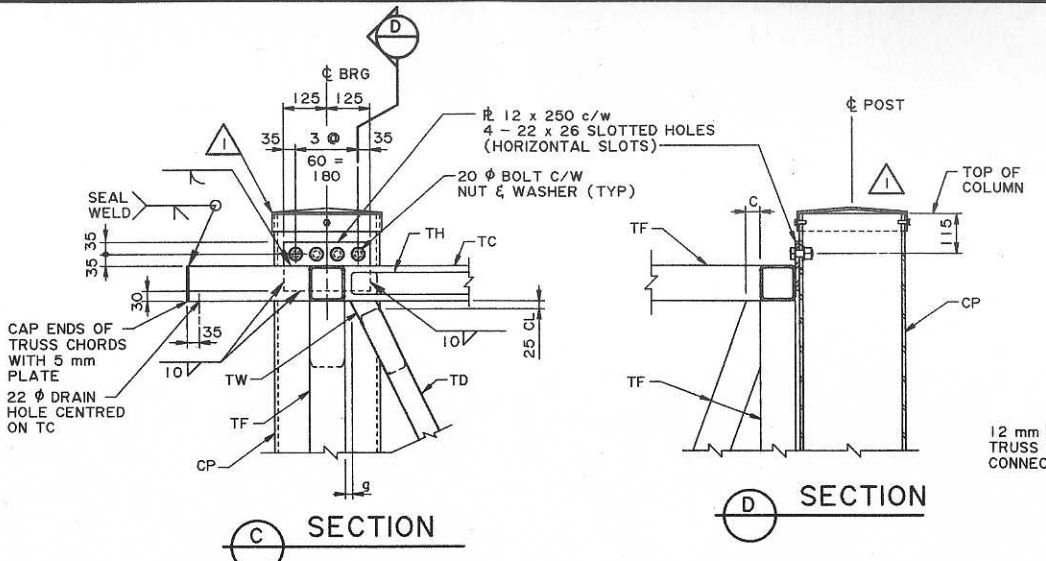
**PLAN - BOTTOM CHORD & HORIZONTAL BRACING**  
(LOOKING DOWN) 1:25



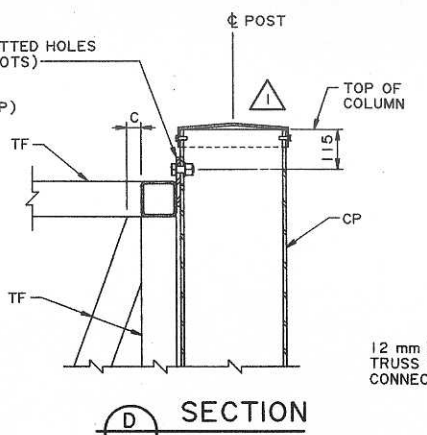
**A SECTION** 1:25



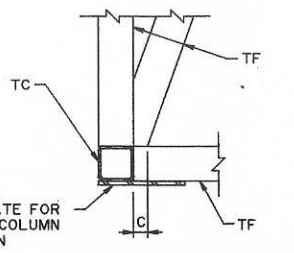
**B SECTION** 1:25



**C SECTION**

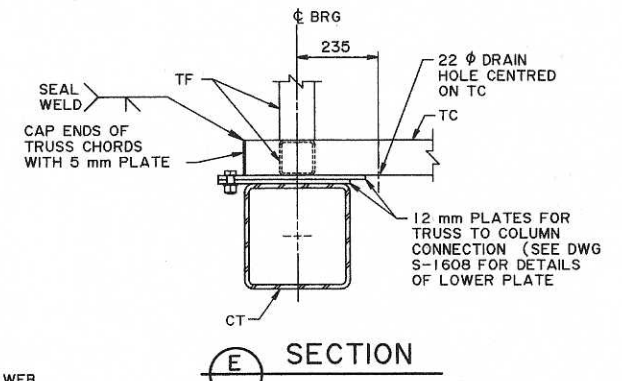


**D SECTION**

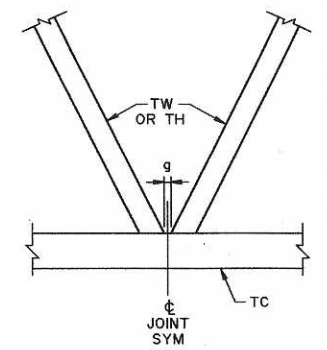


**Q DETAIL** 1:10

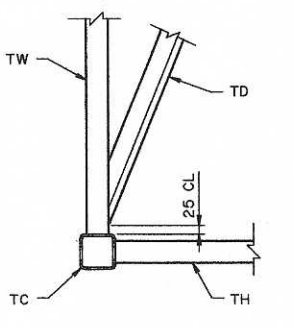
**TOP CONNECTION DETAILS**  
COLUMN DETAILS ADDED TO SHOW CONNECTION 1:10



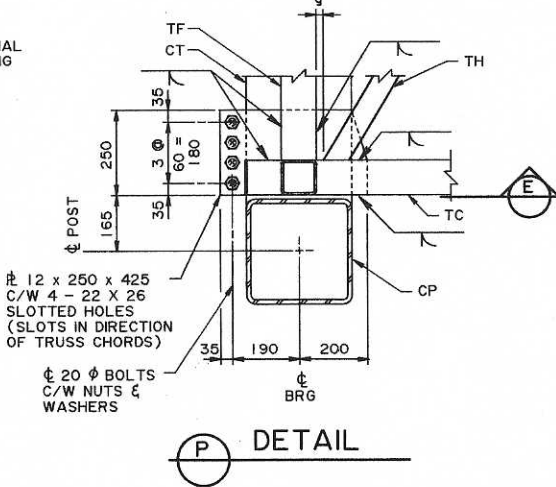
**E SECTION**



**R DETAIL** TYPICAL JOINT 1:10

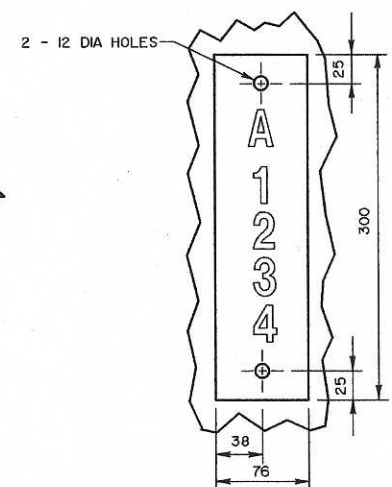


**S DETAIL** 1:10  
TYPICAL WEB MEMBER TO DIAGONAL BRACE CONNECTION



**P DETAIL**

**BOTTOM CONNECTION DETAILS**  
COLUMN DETAILS ADDED TO SHOW CONNECTION 1:10



**IDENT TAG DETAIL**  
1 REQ'D NTS  
FOR LOCATION SEE DWG S-1607  
(FOR TAG DETAILS SEE DWG S-1682-04)

HSS CONNECTION DETAILS		
SPAN (mm)	g (mm)	C (mm)
10 001 TO 15 000	20	35
15 001 TO 20 000	20	35
20 001 TO 25 000	20	40
25 001 TO 30 000	26	50
30 001 TO 35 000	26	50



APPROVED		2		Alberta TRANSPORTATION AND UTILITIES BRIDGE ENGINEERING BRANCH	
Allan Brown		EXECUTIVE DIRECTOR TECHNICAL STANDARDS BRANCH		STANDARD TRUSS SIGN STRUCTURE	
07-01-17 IDENT TAG DETAIL & APPROVAL SIGNATURE UPDATED		94-05-25 COLUMN CAP PLATE		DATE 2007-01-17	
REV	DATE	REVISIONS	BY		
RJR	MIK	93-04-20		STREAM	LOCATION
			DATE	FILE	SHEET
					4 OF 5
					DRAWING
					S-1609

NOTE: THIS DRAWING HAS BEEN REDUCED TO 22"x34", DO NOT SCALE