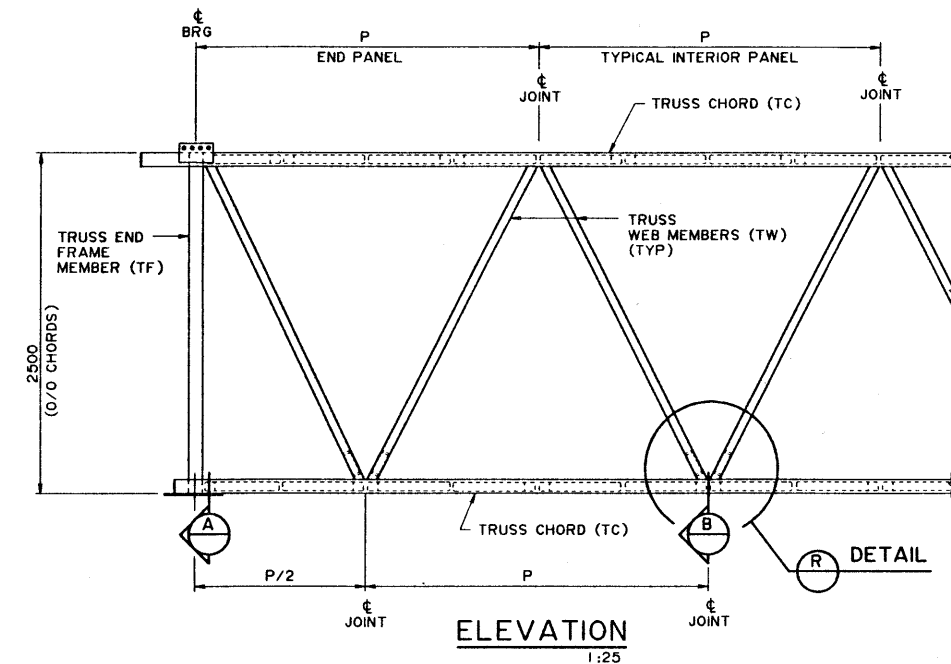
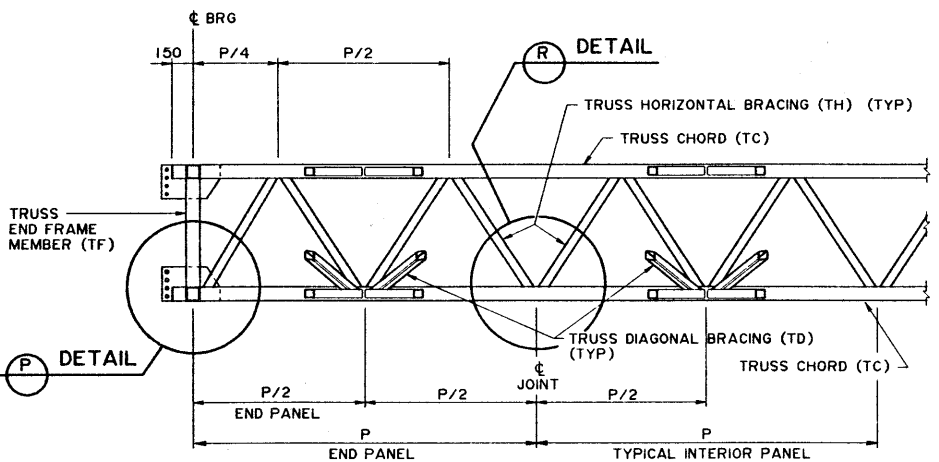


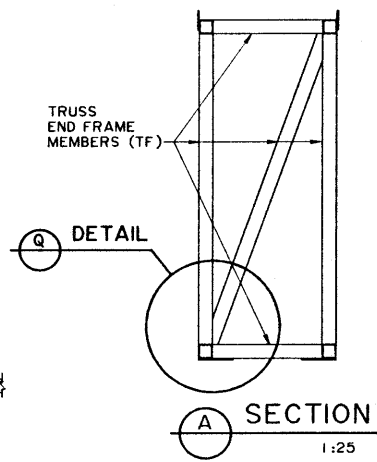
PLAN - TOP CHORD & HORIZONTAL BRACING
(LOOKING DOWN) 1:25



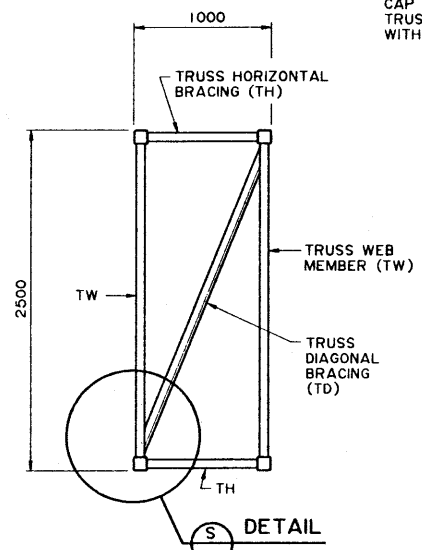
ELEVATION
1:25



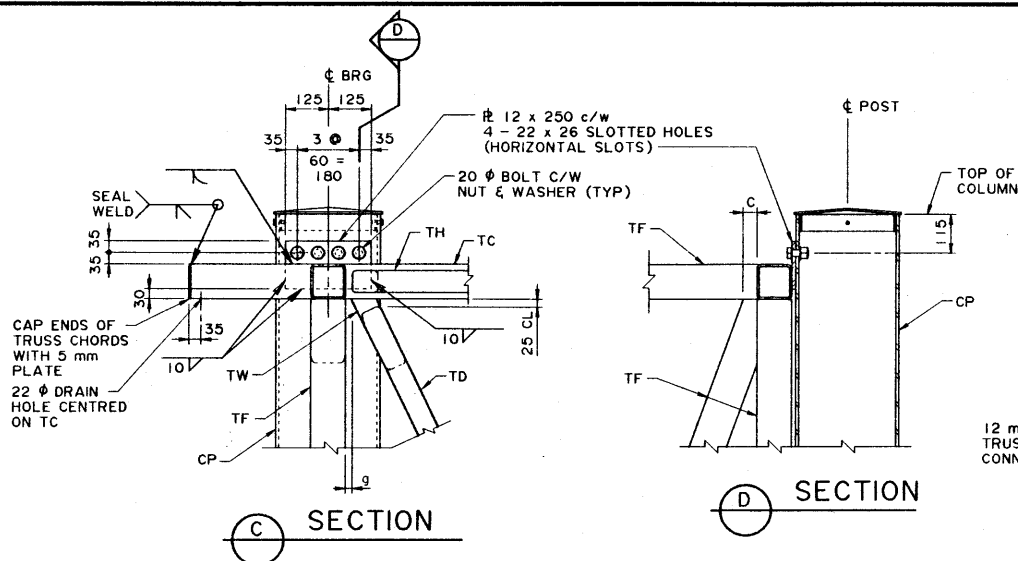
PLAN - BOTTOM CHORD & HORIZONTAL BRACING
(LOOKING DOWN) 1:25



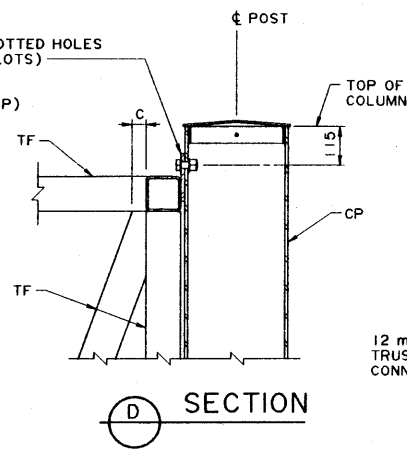
DETAIL A
SECTION 1:25



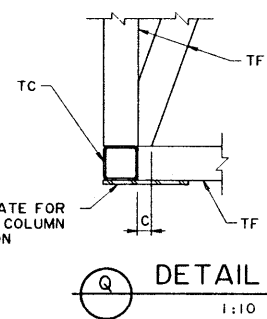
DETAIL B
SECTION 1:25



DETAIL C
SECTION 1:10

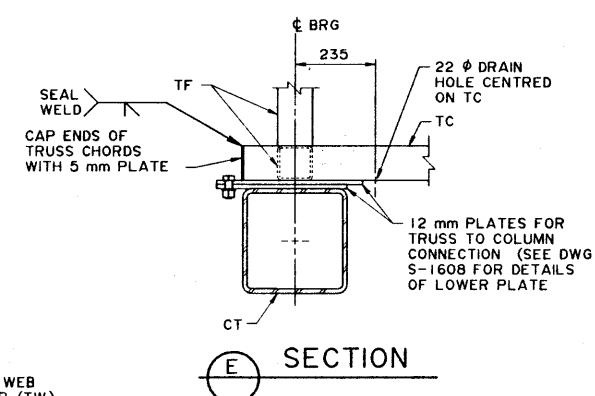


DETAIL D
SECTION 1:10

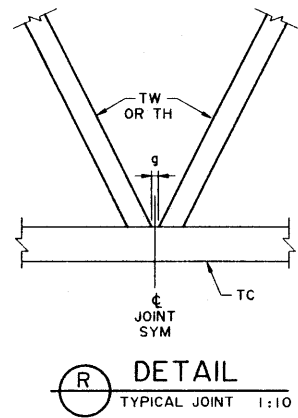


DETAIL Q
1:10

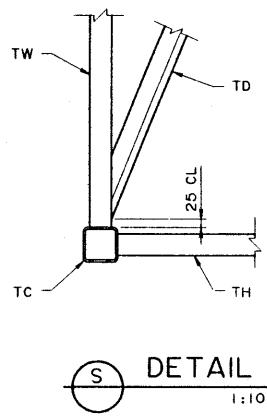
TOP CONNECTION DETAILS
COLUMN DETAILS ADDED TO SHOW CONNECTION 1:10



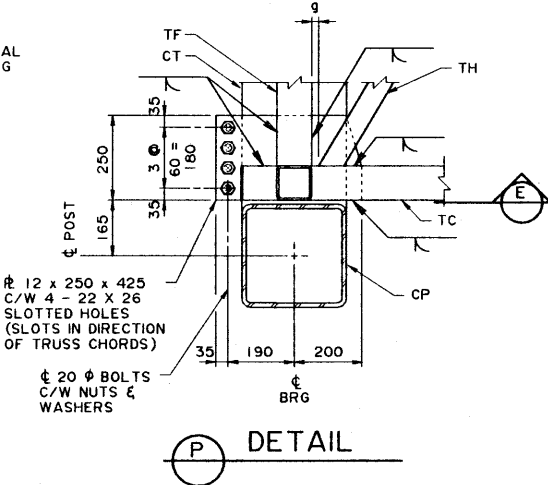
DETAIL E
SECTION 1:10



DETAIL R
TYPICAL JOINT 1:10

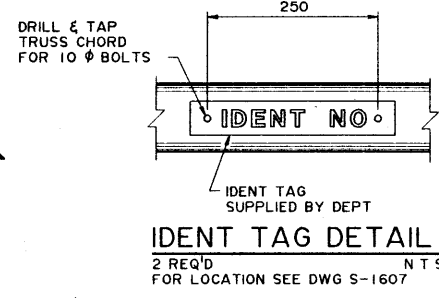


DETAIL S
TYPICAL WEB MEMBER TO DIAGONAL BRACE CONNECTION 1:10



DETAIL P
SECTION 1:10

BOTTOM CONNECTION DETAILS
COLUMN DETAILS ADDED TO SHOW CONNECTION 1:10



IDENT TAG DETAIL
2 REQ'D FOR LOCATION SEE DWG S-1607 N T S

HSS CONNECTION DETAILS		
SPAN (mm)	g (mm)	c (mm)
10 001 TO 15 000	20	35
15 001 TO 20 000	20	35
20 001 TO 25 000	20	40
25 001 TO 30 000	26	50
30 001 TO 35 000	26	50

SUPERSEDED
BY REVISION 1
SUPERSEDED

DESIGNED				DRAWN				DATE				CHECKED				DATE				STREAM				LOCATION				HIGHWAY				FILE				SHEET				DRAWING																																																							
RJR				MIK				93-04-20																																																																																							
APPROVED																								EXECUTIVE DIRECTOR BRIDGE ENGINEERING																								PRELIM																								DATE																							
Albarta TRANSPORTATION AND UTILITIES BRIDGE ENGINEERING BRANCH																								STANDARD TRUSS SIGN STRUCTURE																								TRUSS DETAILS																																															