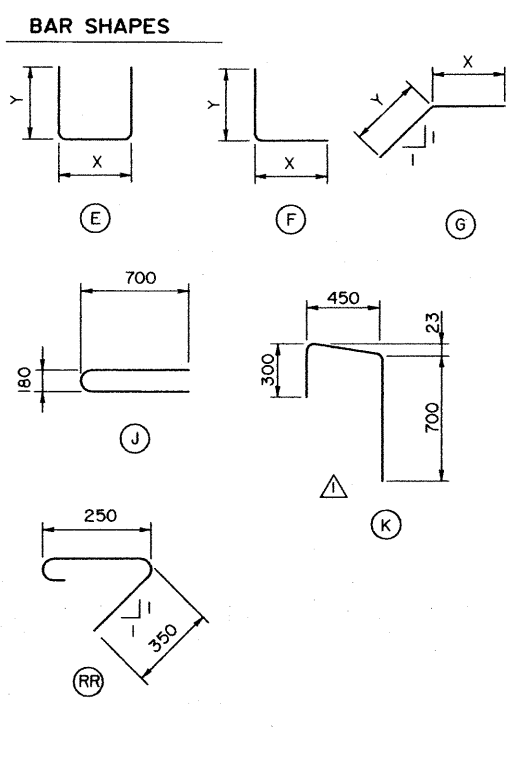
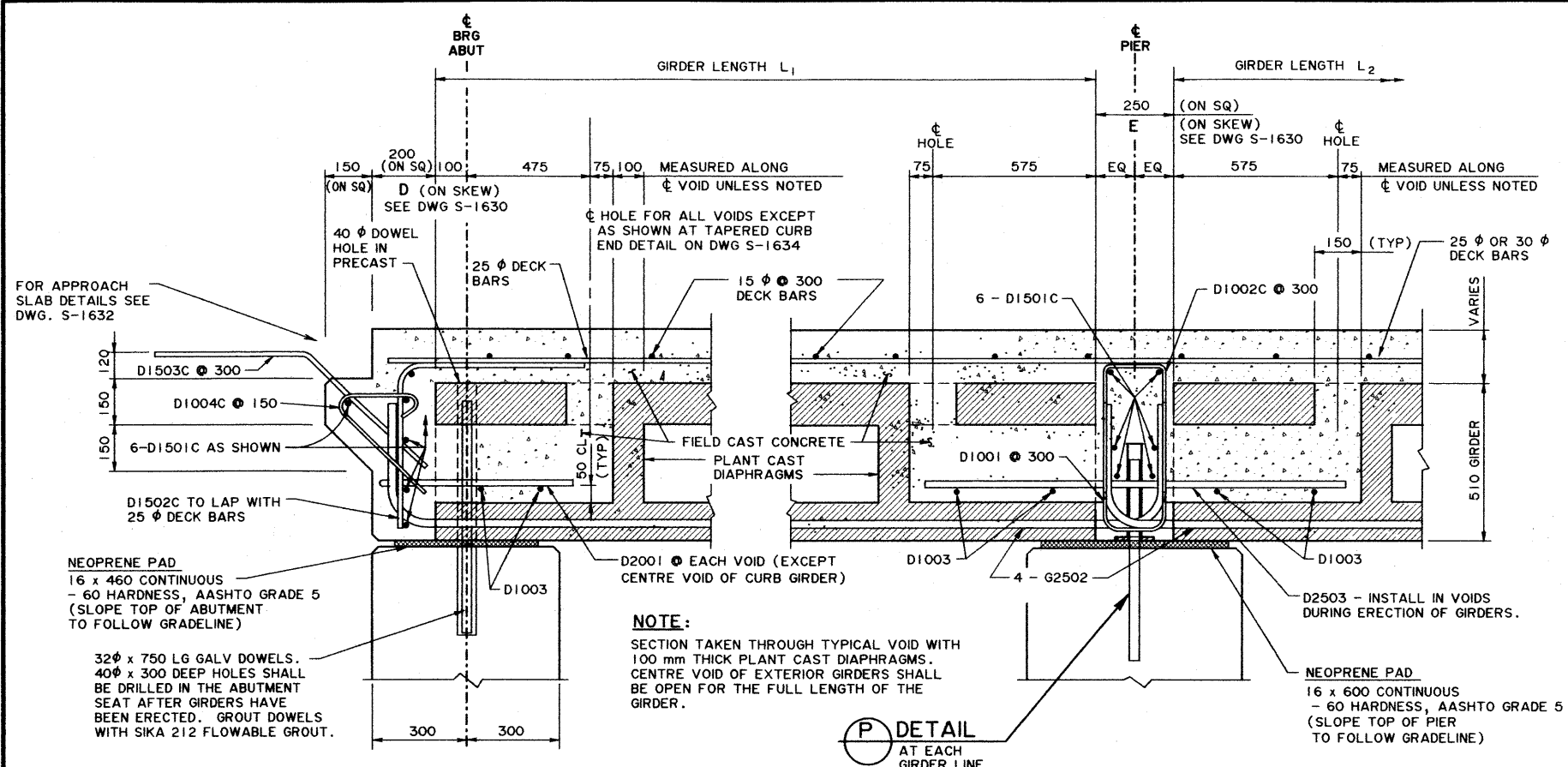


C:\WSCHNEIDER\DATA\TSB2530\STANDARDS\S1631.RV1 PLOTTED MAY 8, 2000

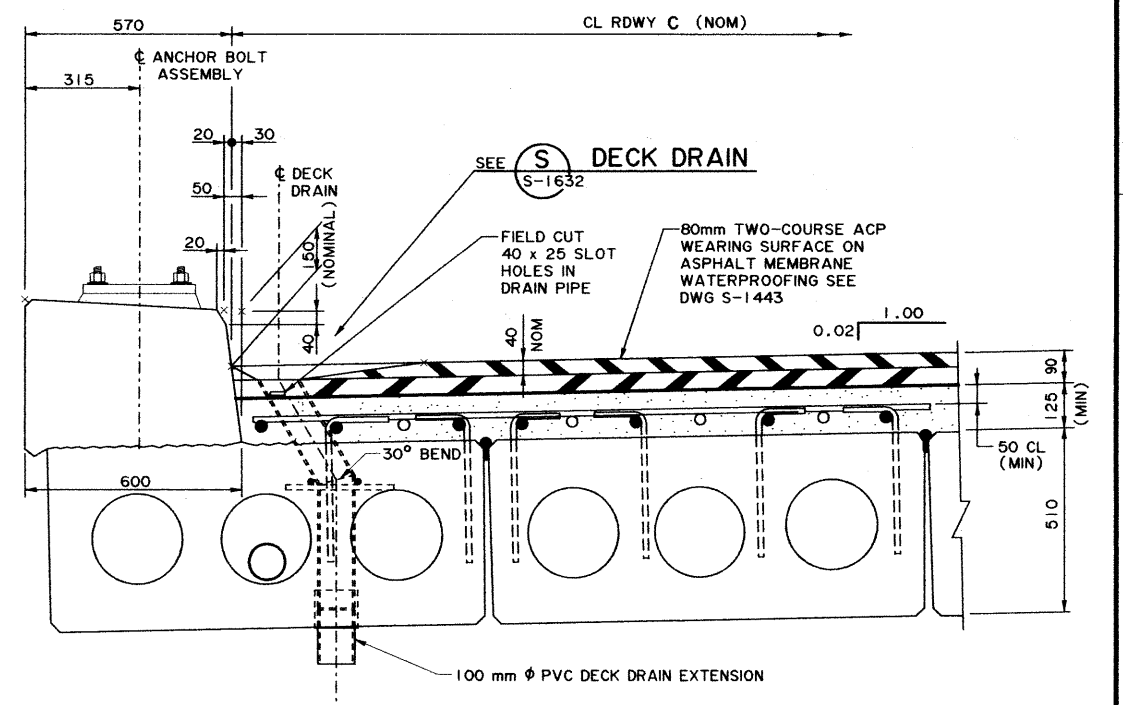
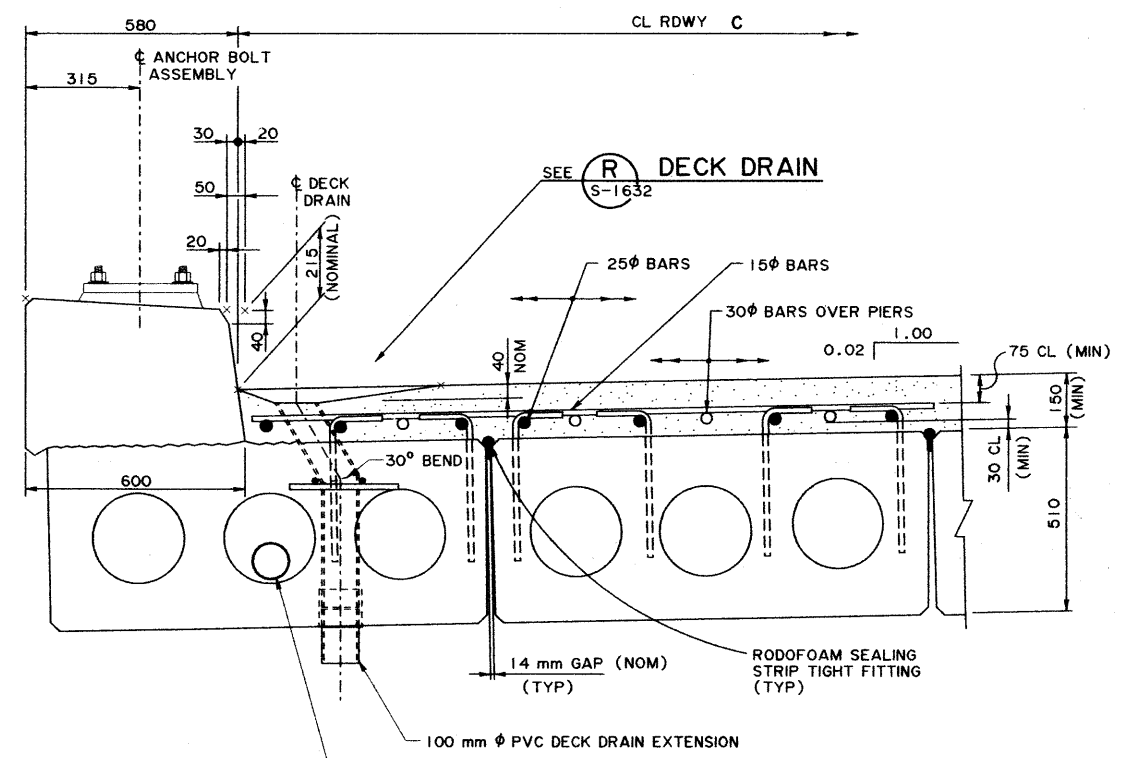
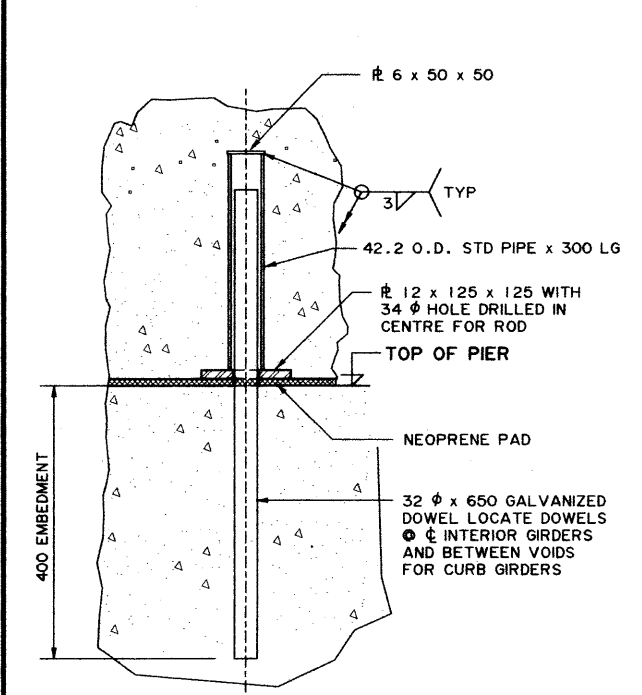


BAR LIST: DIAPHRAGMS					
MARK	SIZE	TYPE	X	Y	LENGTH
D1001	10	E	160	450	1 060
D1002C	10	E	160	450	1 060
D1003	10	STR			180
D1004C	10	RR			800
D1501C	15	STR			
D1502C	15	F	500	500	1 000
D1503C	15	G	500	500	1 000
D1504C	15	K			1 450
D2001	20	J			1 490
D2503	25	STR			1 350

**NOTE:**  
- POSTSCRIPT LETTER "C" ON MARK NUMBERS DENOTES EPOXY COATED BARS.

**ABUTMENT DIAPHRAGM DETAIL (TYPICAL) 1:10**

**PIER DIAPHRAGM DETAIL (TYPICAL) 1:10**



**SUPERSEDED BY S-1631**  
DATE: 01-02-02 BY REV ON SHEET

FOR GENERAL NOTES, SEE DWG S-1630

DESIGNED		DRAWN		DATE		CHECKED		DATE		STREAM		LOCATION		HIGHWAY		FILE		SHEET		DRAWING	
RY		WJW		98-08-21		CTC												2 of 7		S-1631	

APPROVED

ORIGINAL DRAWING APPROVED BY

ALLAN KWAN

EXECUTIVE DIRECTOR

TECHNICAL STANDARDS BRANCH

NOVEMBER 19, 1998

**Albarta INFRASTRUCTURE**

TECHNICAL STANDARDS BRANCH

**STANDARD SCC COMPOSITE BRIDGES**

**DECK DETAILS - SHEET 1**