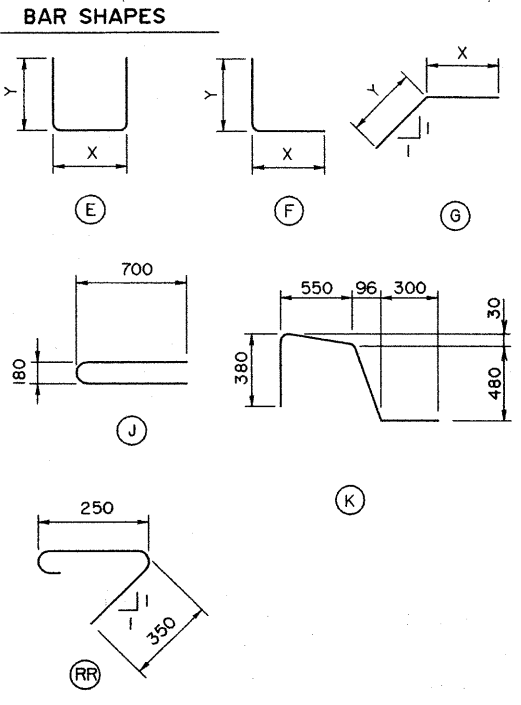


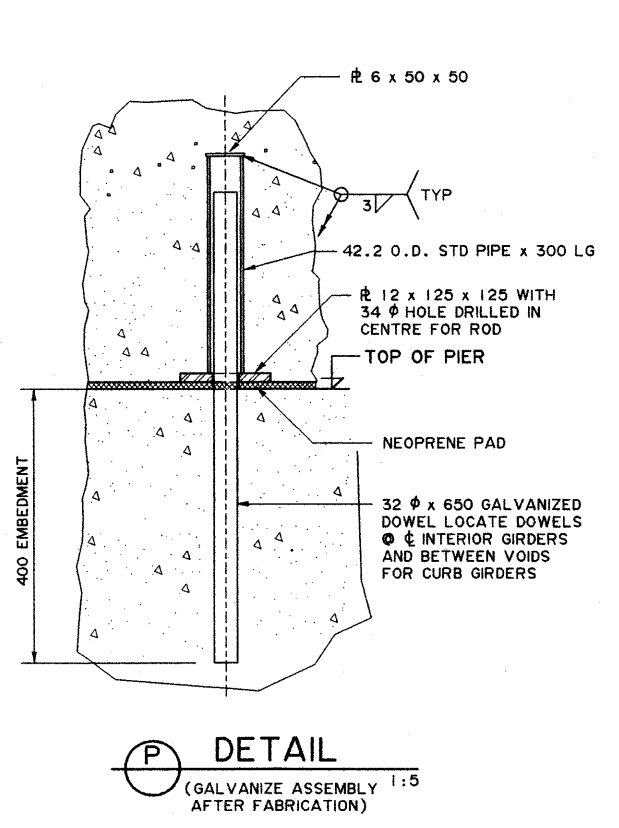
ABUTMENT DIAPHRAGM DETAIL
(TYPICAL) 1:10

PIER DIAPHRAGM DETAIL
(TYPICAL) 1:10

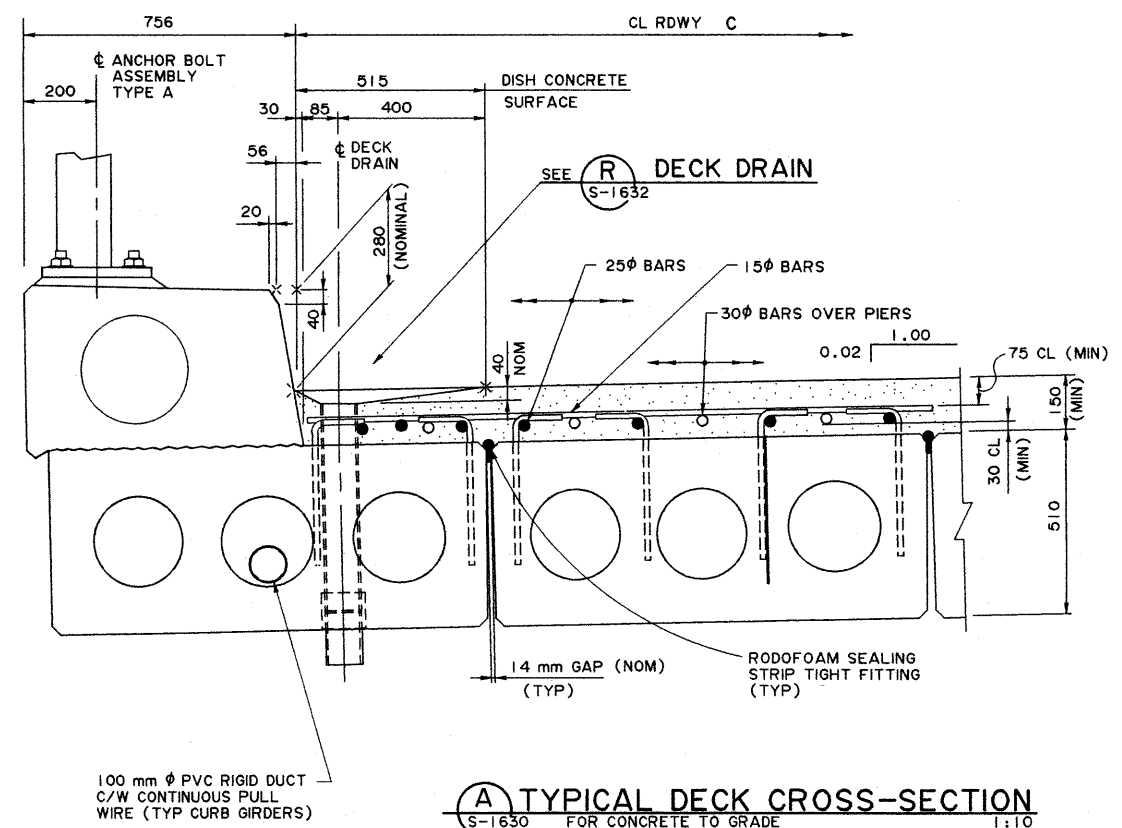


BAR LIST: DIAPHRAGMS					
MARK	SIZE	TYPE	X	Y	LENGTH
D1001	10	E	160	450	1 060
D1002C	10	E	160	450	1 060
D1003	10	STR			180
D1004C	10	RR			800
D1501C	15	STR			
D1502C	15	F	500	500	1 000
D1503C	15	G	500	500	1 000
D1504C	15	K			1 720
D2001	20	J			1 490
D2503	25	STR			1 350

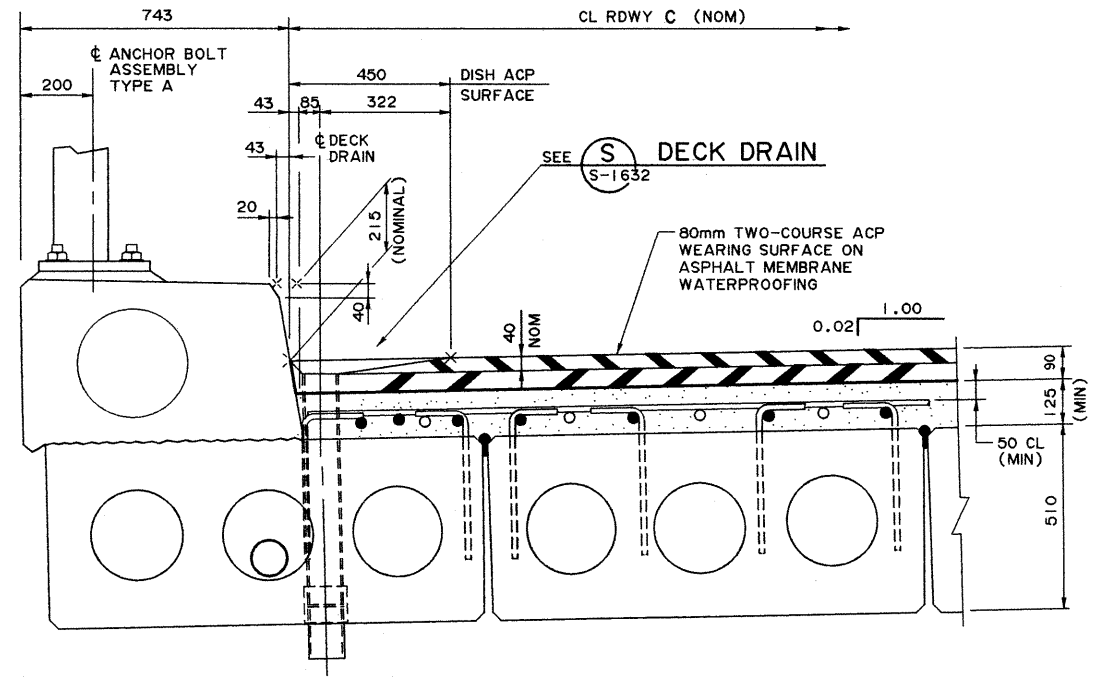
NOTE:
- POSTSCRIPT LETTER "c" ON MARK NUMBERS DENOTES EPOXY COATED BARS.



DETAIL (P)
(GALVANIZE ASSEMBLY) 1:5



DETAIL (A)
TYPICAL DECK CROSS-SECTION 1:10
FOR CONCRETE TO GRADE



DETAIL (B)
TYPICAL DECK CROSS-SECTION 1:10
FOR ACP WEARING SURFACE (FOR DETAILS NOT SHOWN SEE (A))

SUPERSEDED BY S-1631
DATE: 2000-04-25 BY REV ON SHEET 2
FOR GENERAL NOTES, SEE DWG S-1630

DESIGNED		DRAWN		DATE		CHECKED		DATE		STREAM		LOCATION		HIGHWAY		FILE		SHEET		DRAWING	
RY		WJW		98-08-21		CTC		98-11-13										2 of 7		S-1631	

APPROVED
Allen K...
EXECUTIVE DIRECTOR
DATE: December 19, 1998

Albera TRANSPORTATION AND UTILITIES
TECHNICAL STANDARDS BRANCH

STANDARD SCC COMPOSITE BRIDGES
DECK DETAILS - SHEET 1

C:\WSCHNEIDER\DATA\TSB2530\USR3\STANDARDS\S1631.DGN PLOTTED NOV 13, 1998