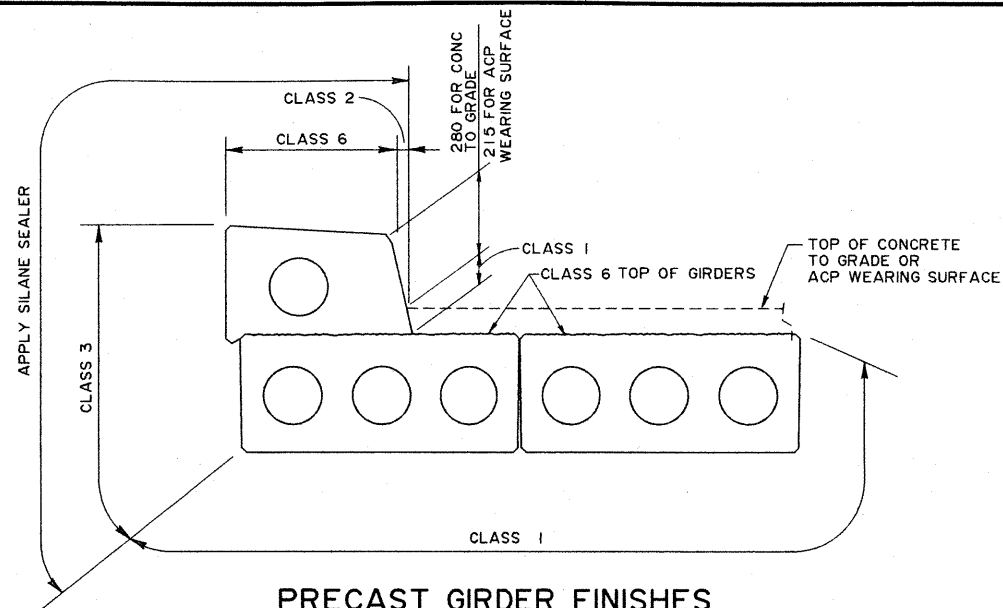


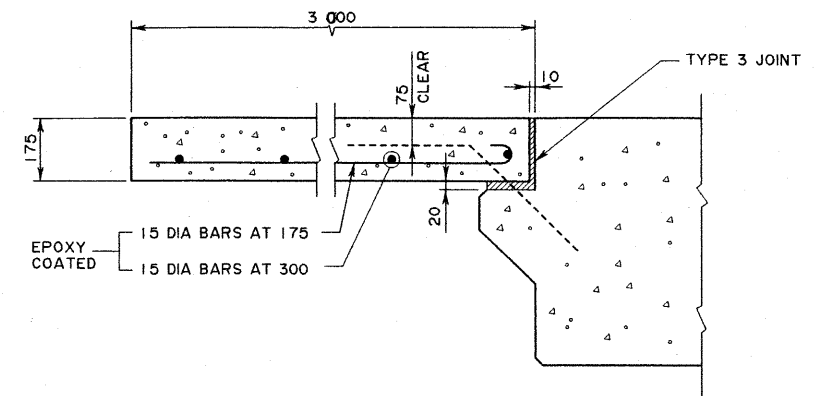
CURB BLOCKOUT AT PIERS

1:10



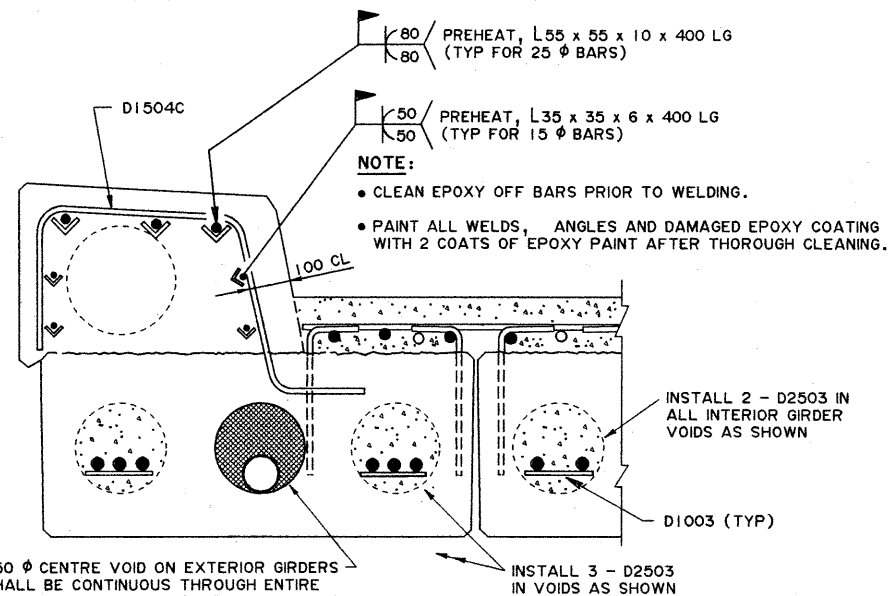
PRECAST GIRDER FINISHES

NTS



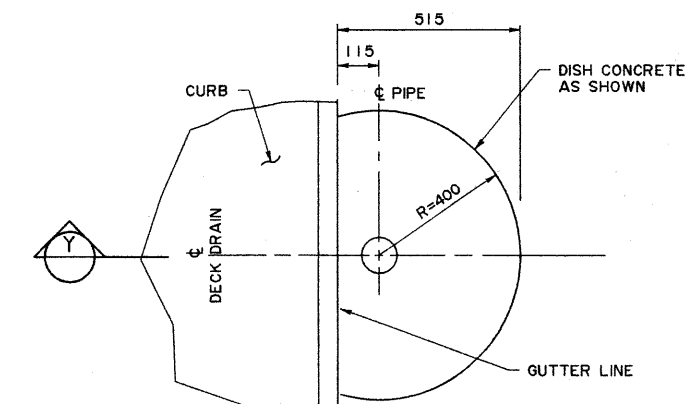
BRIDGE END DETAIL - CONCRETE TO GRADE

1:10



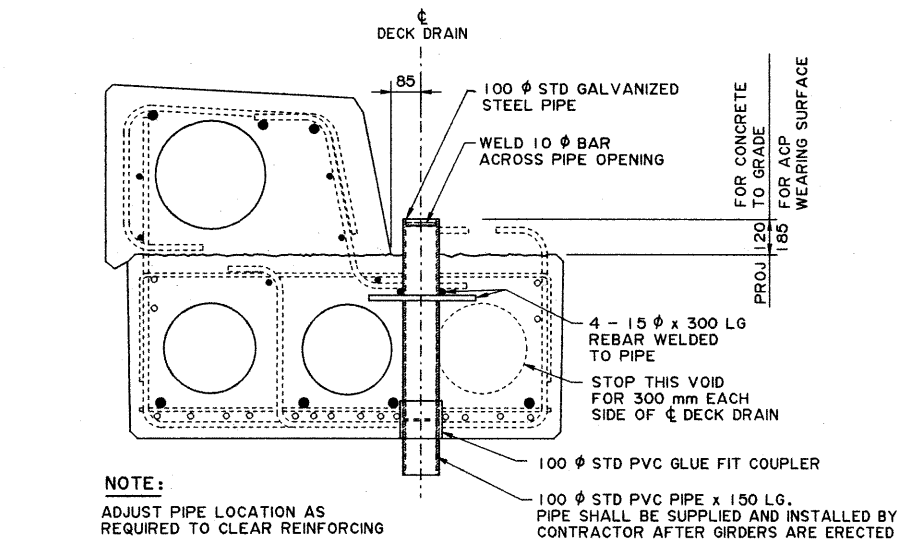
250 Φ CENTRE VOID ON EXTERIOR GIRDERS SHALL BE CONTINUOUS THROUGH ENTIRE LENGTH OF PRECAST GIRDERS. BLOCK OFF VOID IN PRECAST GIRDER PRIOR TO POURING DIAPHRAGMS.
INSTALL 100 Φ PVC RIGID DUCT C/W PULL WIRE AND EXPANSION SLEEVE AT MID LENGTH. PROVIDE 150 Φ x 600 LG PIPE SLEEVE THROUGH PIER DIAPHRAGMS.

C SECTION
S-1630, S-1632 1:10



R DECK DRAIN - PLAN

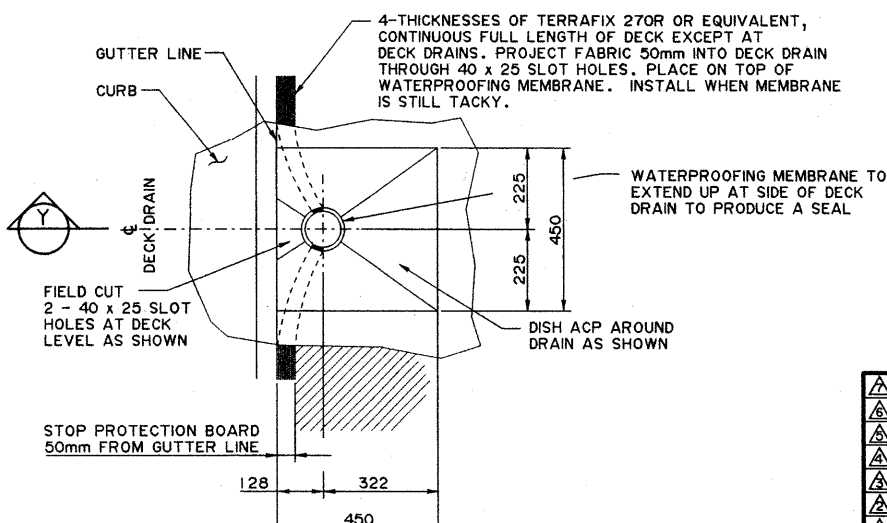
S-1631 (FOR CONCRETE TO GRADE) 1:10



NOTE: ADJUST PIPE LOCATION AS REQUIRED TO CLEAR REINFORCING

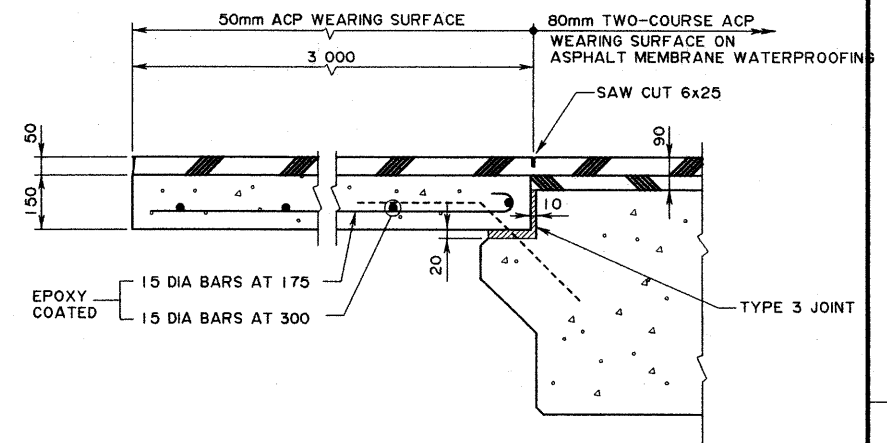
Y DECK DRAIN - SECTION

1:10



S DECK DRAIN - PLAN

S-1631 (FOR ACP WEARING SURFACE) 1:10

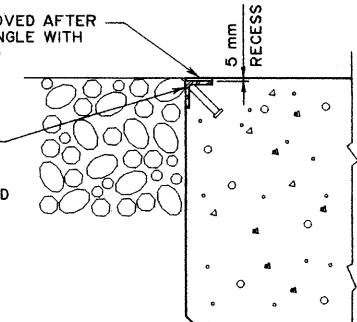


BRIDGE END DETAIL - ACP WEARING SURFACE

1:10

5 x 75 WOOD FINISHING STRIP TO BE REMOVED AFTER DECK POUR (SHOP ATTACH TO BUFFER ANGLE WITH COUNTERSUNK SCREWS IN TAPPED HOLES)

L75 x 75 x 10 CONTINUOUS C/W 19 Φ x 125 LG NELSON STUDS 300 (GALV AFTER FABRICATION) (SUPPLY IN TWO LENGTHS AND FIELD WELD ANGLES Φ RDWY. PAINT DAMAGED AREAS OF GALVANIZING WITH TWO COATS OF GALVACON)



BRIDGE END DETAIL - NO APPROACH SLAB

1:10

SUPERSEDED BY S-1632
DATE: 2000-04-25 BY REV ON SHEET 2

• FOR GENERAL NOTES, SEE DWG. S-1630

DESIGNED RY		DRAWN WJW		DATE 98-04-17		CHECKED CTC		DATE 98-11-13		STREAM		LOCATION		HIGHWAY		FILE		SHEET 3 OF 7		DRAWING S-1632	
APPROVED <i>Alan Kwan</i> EXECUTIVE DIRECTOR DATE: November 19, 1998										Albarta TRANSPORTATION AND UTILITIES TECHNICAL STANDARDS BRANCH STANDARD SCC COMPOSITE BRIDGES DECK DETAILS - SHEET 2											