

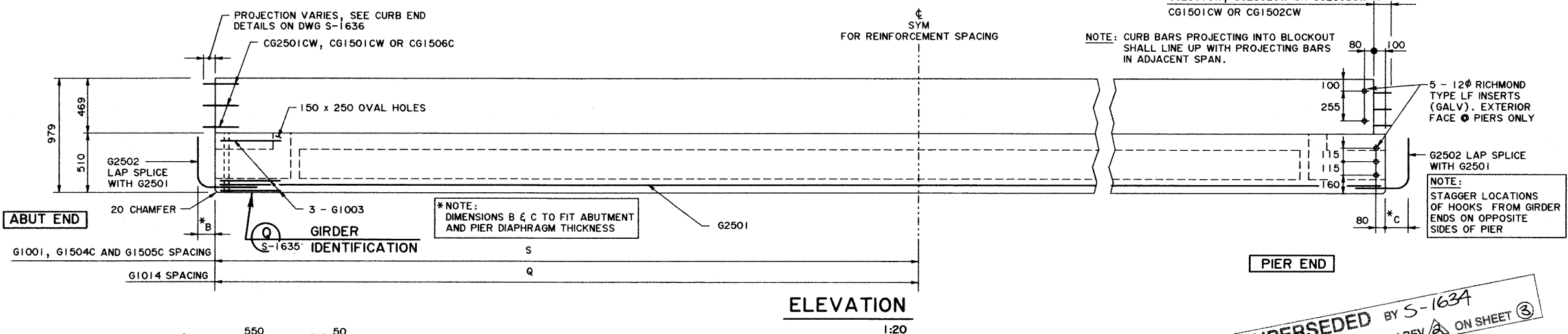
BAR LIST: CURB GIRDER

MARK	SIZE	TYPE	X	Y	LENGTH
G1001	10	A	1 125	300	1 725
G1003	10	J			1 080
G1008	10	A	1 000	300	1 600
G1009	10	STR			950
G1010	10	STR			FULL LENGTH OF GIRDER
G1011	10	STR			FULL LENGTH OF GIRDER
G1014	10	STR			1 100
G1502C	15	F			1 455
G1503C	15	Q			1 105
G1504C	15	D	380		1 560
G1505C	15	C	1 125		2 710
G2501	25	STR			FULL LENGTH OF GIRDER
G2502	25	L	1 500	400	1 900
CG1501CW	15	STR			
CG1502CW	15	STR			
CG1504C	15	G	450		1 050
CG1505C	15	G	VARIES		
CG1506C	15	H			915
CG2501CW	25	STR			
CG2502CW	25	STR			
CG2503CW	25	STR			

NOTE:

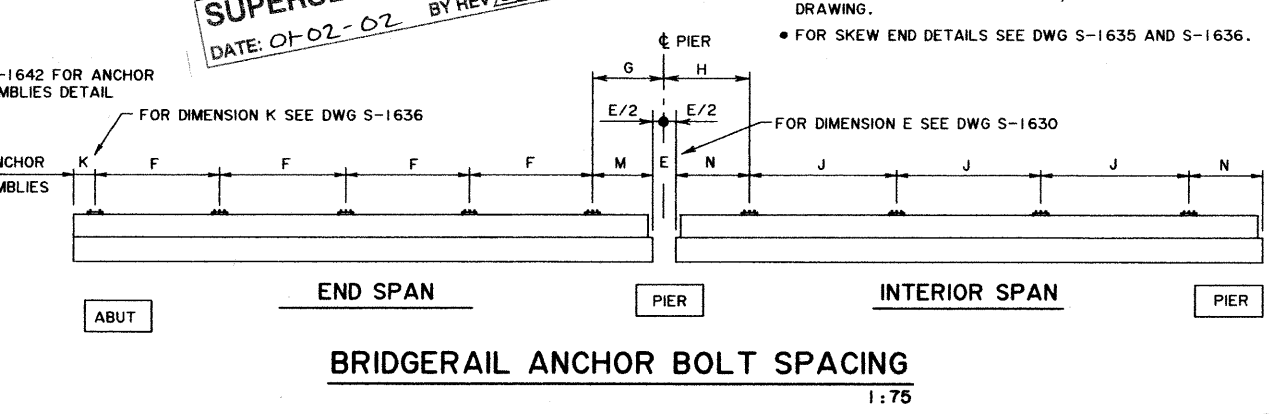
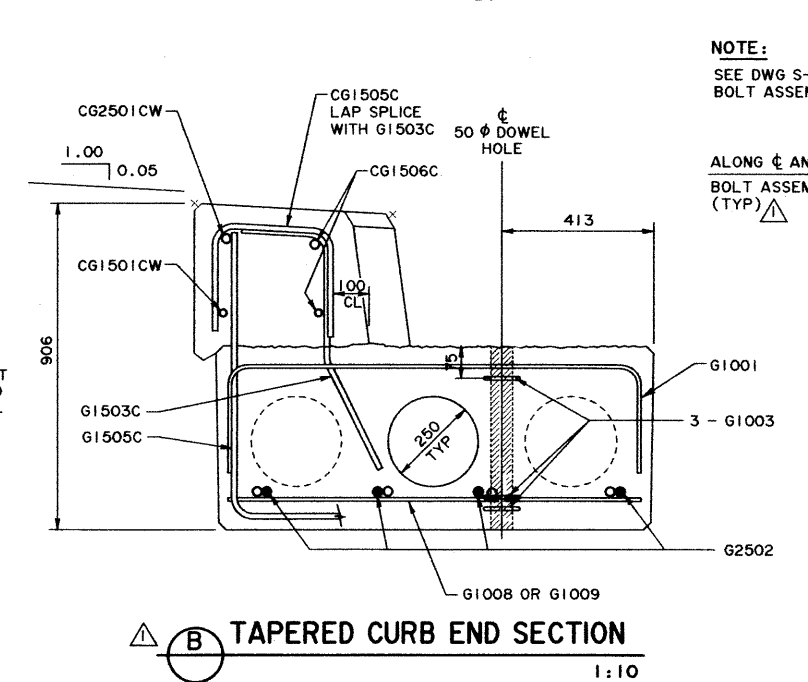
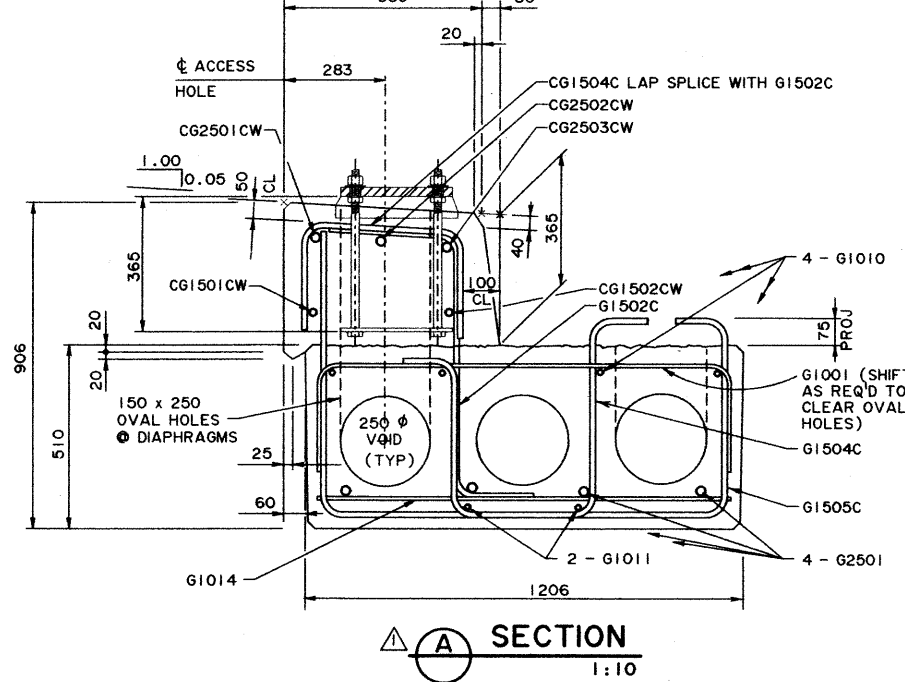
- POSTSCRIPT LETTER "C" ON MARK NUMBERS DENOTES EPOXY COATED BARS.
- POSTSCRIPT LETTER "W" ON MARK NUMBERS DENOTES WELDABLE STEEL.
- FOR BAR TYPES SEE DWG S-1633
- FOR INTERIOR SPANS, BARS MARKED CG2502CW, CG2503CW, CG1502CW EXTEND THE FULL LENGTH OF THE GIRDER.

(E) DENOTES BARS FOR ABUTMENT END ONLY



GIRDER NOTES

- FOR STRAND PATTERN, BAR TYPES AND OTHER GIRDER DETAILS NOT SHOWN SEE DWG S-1633.
- FOR DECK DRAIN DETAILS AND LOCATIONS SEE DRAWINGS S-1630 AND S-1632.
- FOR BRIDGERAIL POST SPACINGS, SEE SITE SPECIFIC DRAWING.
- FOR SKEW END DETAILS SEE DWG S-1635 AND S-1636.



SUPERSEDED BY S-1634
DATE: 01-02-02 BY REV ON SHEET ③

APPROVED

ORIGINAL DRAWING APPROVED BY
ALLAN KWAN
EXECUTIVE DIRECTOR
TECHNICAL STANDARDS BRANCH
NOVEMBER 19, 1998

Alberta INFRASTRUCTURE
TECHNICAL STANDARDS BRANCH

STANDARD SCC COMPOSITE BRIDGES
CURB GIRDER

DESIGNED	DRAWN	DATE	CHECKED	DATE	STREAM	LOCATION	HIGHWAY	FILE	SHEET	DRAWING
RY	WJW	98-08-21	CTC						5 of 7	S-1634

FOR GENERAL NOTES, SEE DWG S-1630 AND S-1633 ②

C:\WSCHNEIDER\DATA\TSB2530\USRS\STANDARDS\S-1634.RV1 PLOTTED MAY 8, 2000