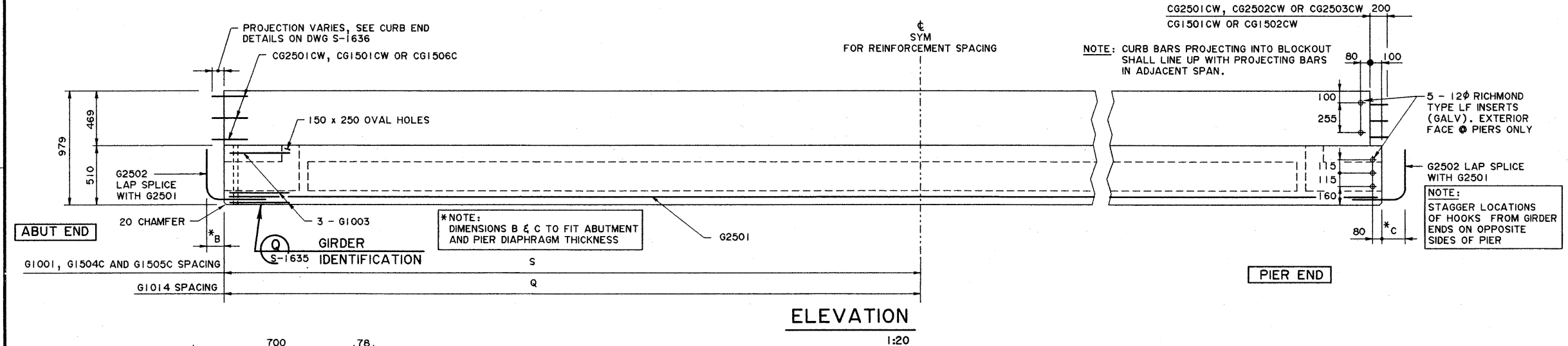


**BAR LIST: CURB GIRDER**

MARK	SIZE	TYPE	X	Y	LENGTH
G1001	10	A	1 125	300	1 725
G1003	10	J			1 080
G1008	10	A	1 000	300	1 600
G1009	10	STR			950
G1010	10	STR	FULL LENGTH OF GIRDER		
G1011	10	STR	FULL LENGTH OF GIRDER		
G1014	10	STR			1 100
G1502C	15	Q			1 120
G1503C	15	F			990
G1504C	15	D	380		1 560
G1505C	15	C	1 125		2 710
G2001	20	STR			2 800
G2501	25	STR	FULL LENGTH OF GIRDER		
G2502	25	L	1 500	400	1 900
CG1501CW	15	STR			
CG1502CW	15	STR			
CG1504C	15	G	550	63	1 510
CG1505C	15	G	VARIES	63	
CG1506C	15	H			3 850
CG2501CW	25	STR			
CG2502CW	25	STR			
CG2503CW	25	STR			



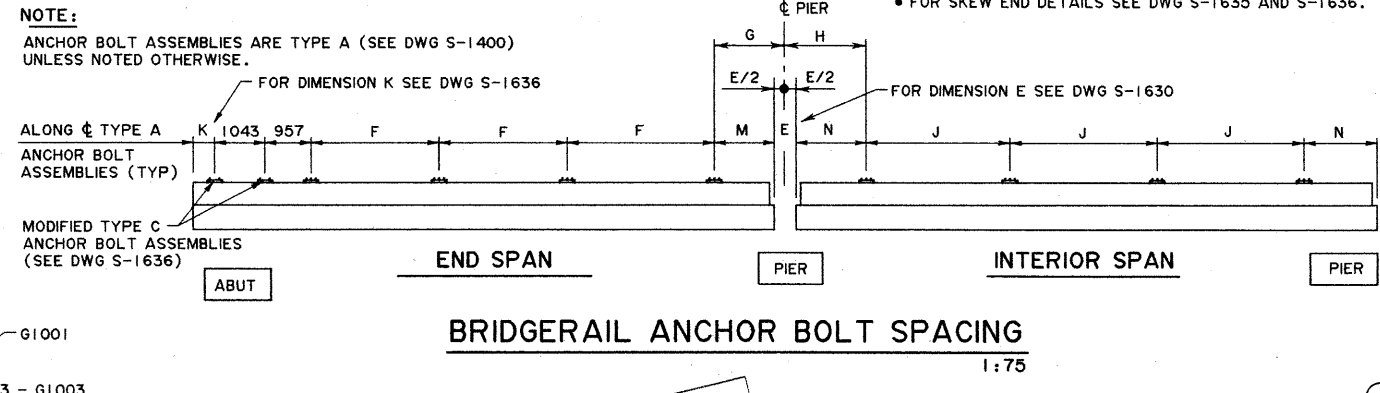
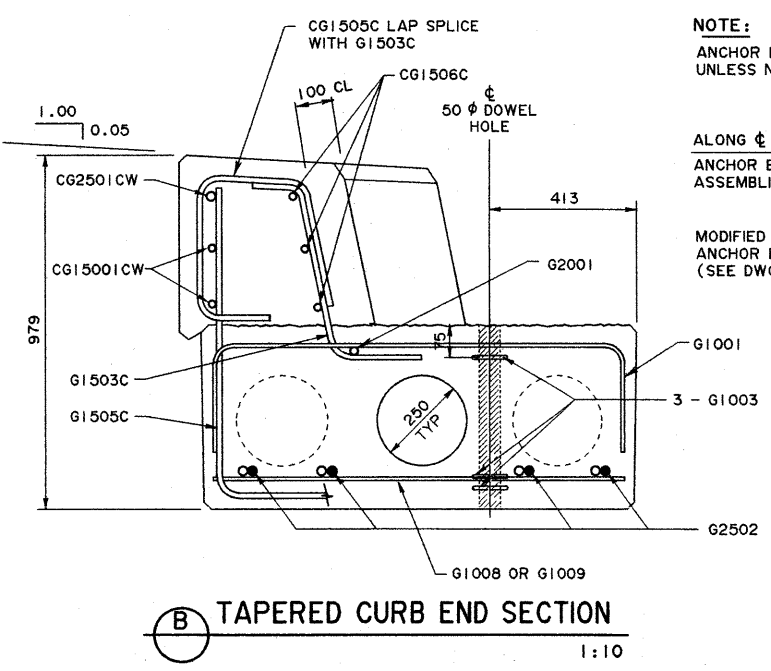
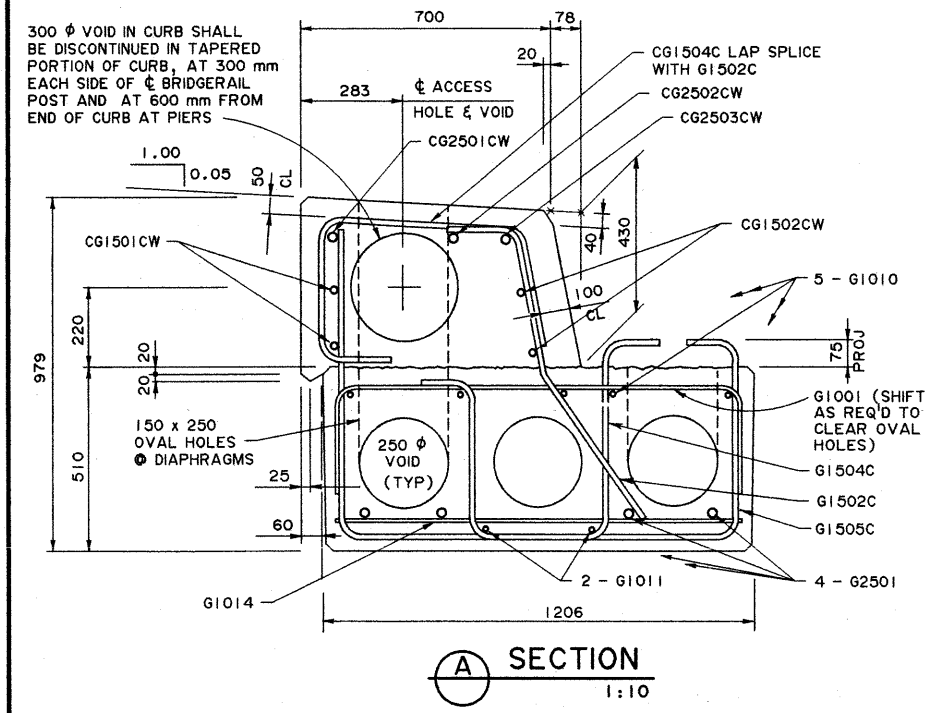
**NOTE:**

- POSTSCRIPT LETTER "C" ON MARK NUMBERS DENOTES EPOXY COATED BARS.
- POSTSCRIPT LETTER "W" ON MARK NUMBERS DENOTES WELDABLE STEEL.
- FOR BAR TYPES SEE DWG S-1633
- FOR INTERIOR SPANS, BARS MARKED CG2502CW, CG2503CW, CG1502CW EXTEND THE FULL LENGTH OF THE GIRDER.

**(E)** DENOTES BARS FOR ABUTMENT END ONLY

**GIRDER NOTES**

- FOR STRAND PATTERN, BAR TYPES AND OTHER GIRDER DETAILS NOT SHOWN SEE DWG S-1633.
- FOR DECK DRAIN DETAILS AND LOCATIONS SEE DRAWINGS S-1630 AND S-1632.
- FOR BRIDGERAIL POST SPACINGS, SEE SITE SPECIFIC DRAWING.
- FOR SKEW END DETAILS SEE DWG S-1635 AND S-1636.



**APPROVED**  
Alta Alberta  
EXECUTIVE DIRECTOR  
DATE: November 19, 1998

**SUPERSEDED BY S-1634**  
DATE: 2000-04-25  
BY REV ON SHEET

**STANDARD SCC COMPOSITE BRIDGES CURB GIRDER**

DESIGNED	DRAWN	DATE	CHECKED	DATE	STREAM	LOCATION	HIGHWAY	FILE	SHEET	DRAWING
Ray	WJW	98-08-21	CTC	98-11-13					5 of 7	S-1634

FOR GENERAL NOTES, SEE DWG S-1630 AND S-1633

C:\WSCHNEIDER\DATA\TSB2530\USR3\STANDARDS\S-1634.DGN PLOTTED NOV 13, 1998