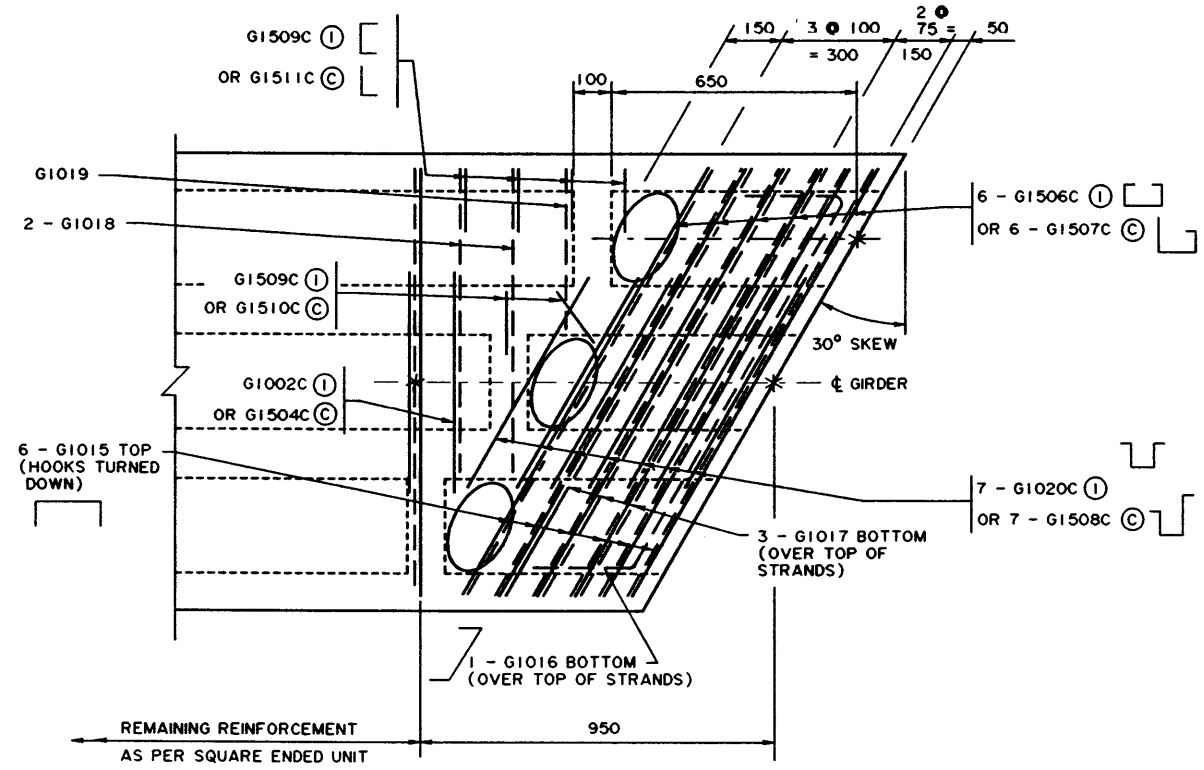
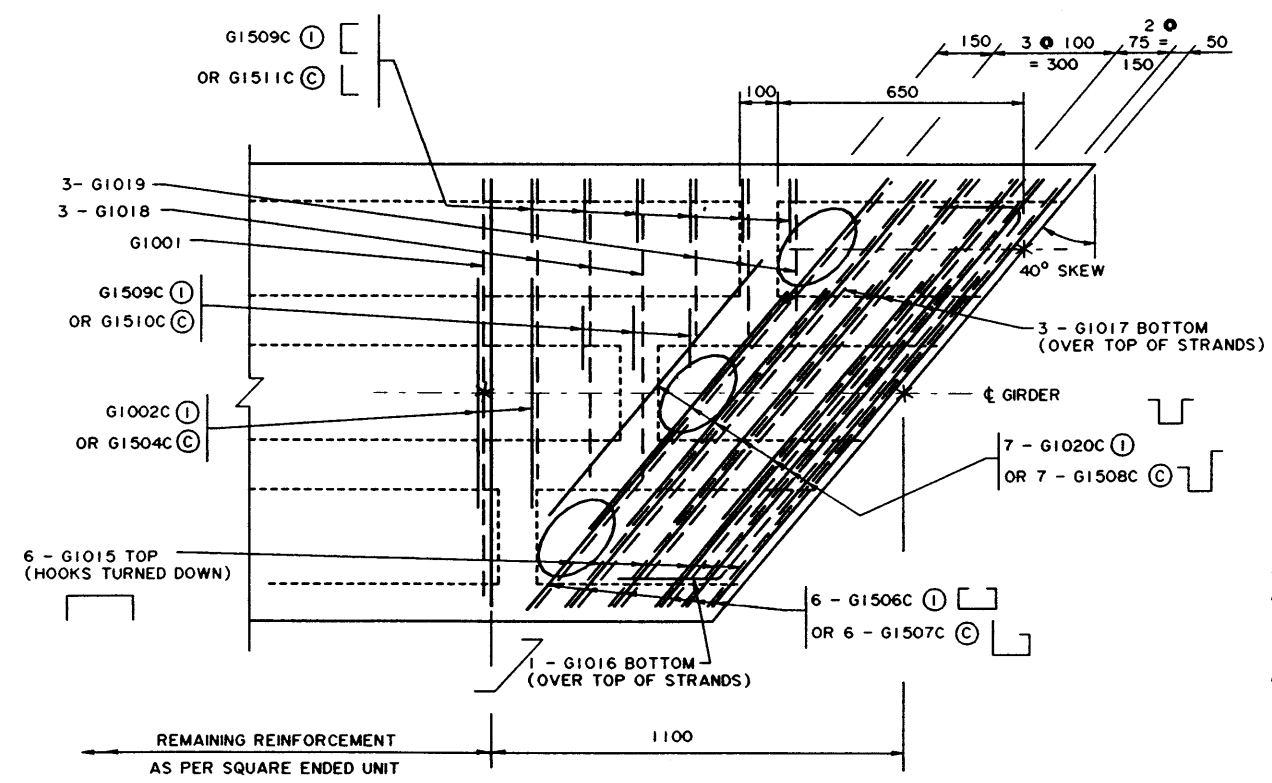


PLAN - 15° SKEW GIRDER END DETAIL
1:10

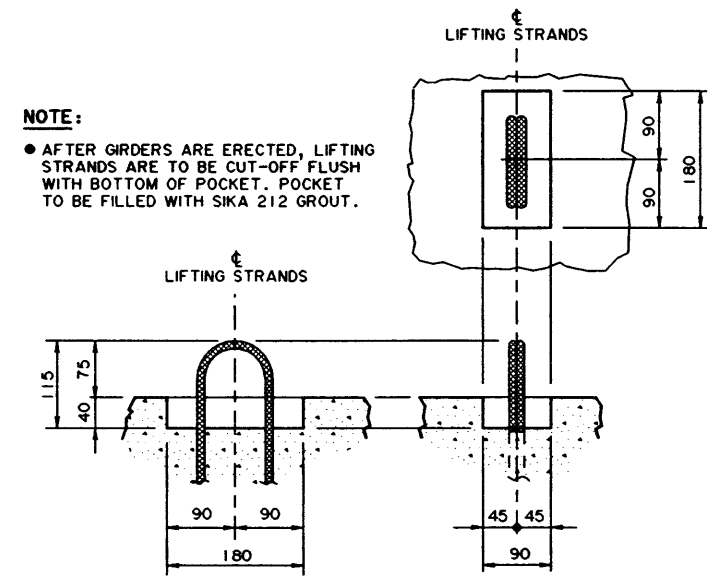


PLAN - 30° SKEW GIRDER END DETAIL
1:10

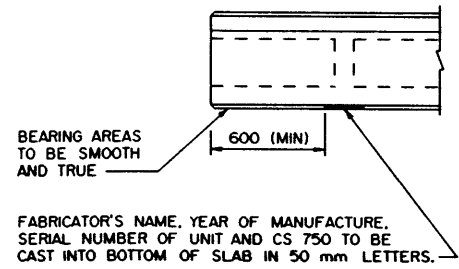
NOTE:
AT END OF CURB GIRDERS SHIFT VERTICAL ACCESS HOLE AND 100 mm THICK DIAPHRAGM AS REQUIRED TO FIT



PLAN - 40° SKEW GIRDER END DETAIL
1:10



LIFTING HOOK POCKET
(TOP OF CURB ONLY) 1:5



GIRDER IDENTIFICATION
S-1633, S-1634 1:20

BAR LIST: GIRDER END - 15° SKEW

MARK	SIZE	TYPE	X	Y	LENGTH
G1015	10	A	1165	300	1765
G1016	10	M	1000	270	1630
G1017	10	STR			980
G1018	10	L	800	300	1100
G1019	10	L	400	300	700
G1020C	10	K	395		1705
G1506C	15	B	1165		2555
G1507C	15	C	1165		2750
G1508C	15	D	395		1580
G1509C	15	N	555		995
G1510C	15	N	430		870
G1511C	15	P	890		1190

BAR LIST: GIRDER END - 30° SKEW

MARK	SIZE	TYPE	X	Y	LENGTH
G1015	10	A	1300	300	1900
G1016	10	M	1000	577	1755
G1017	10	STR			1095
G1018	10	L	800	300	1100
G1019	10	L	400	300	700
G1020C	10	K	440		1750
G1506C	15	B	1300		2690
G1507C	15	C	1300		2885
G1508C	15	D	440		1625
G1509C	15	N	555		995
G1510C	15	N	430		870
G1511C	15	P	890		1190

BAR LIST: GIRDER END - 40° SKEW

MARK	SIZE	TYPE	X	Y	LENGTH
G1015	10	A	1470	300	2070
G1016	10	M	1000	840	1905
G1017	10	STR			1240
G1018	10	L	800	300	1100
G1019	10	L	400	300	700
G1020C	10	K	495		1805
G1506C	15	B	1470		2860
G1507C	15	C	1470		3055
G1508C	15	D	495		1680
G1509C	15	N	555		995
G1510C	15	N	430		870
G1511C	15	P	890		1190

NOTE:
• POSTSCRIPT LETTER "C" ON MARK NUMBERS DENOTES EPOXY COATED BARS.
• FOR BAR TYPES SEE DWG S-1633

GIRDER NOTES:
• (C) DENOTES BARS PROJECTING INTO CURBS
• (1) DENOTES BARS FOR INTERIOR GIRDERS AND BARS FOR CURB GIRDERS THAT ARE NOT UNDER CURBS
• STIRRUPS ARE SHOWN AS SOLID LINES, OTHER BARS ARE SHOWN DASHED.

• FOR GENERAL NOTES, SEE DWG S-1630 AND S-1633

DESIGNED		DRAWN		DATE		CHECKED		DATE		STREAM		LOCATION		HIGHWAY		FILE		SHEET		DRAWING	
RY		WJW		98-08-21		CTC												6 of 7		S-1635	

APPROVED

ORIGINAL DRAWING APPROVED BY

ALLAN KWAN

EXECUTIVE DIRECTOR

TECHNICAL STANDARDS BRANCH

NOVEMBER 19, 1998

Albarta INFRASTRUCTURE

TECHNICAL STANDARDS BRANCH

STANDARD SCC COMPOSITE BRIDGES

GIRDER END DETAILS

C:\WSCHNEIDER\DATA\TSB2530\STANDARDS\S-1635.RV1 PLOTTED MAY 8, 2000