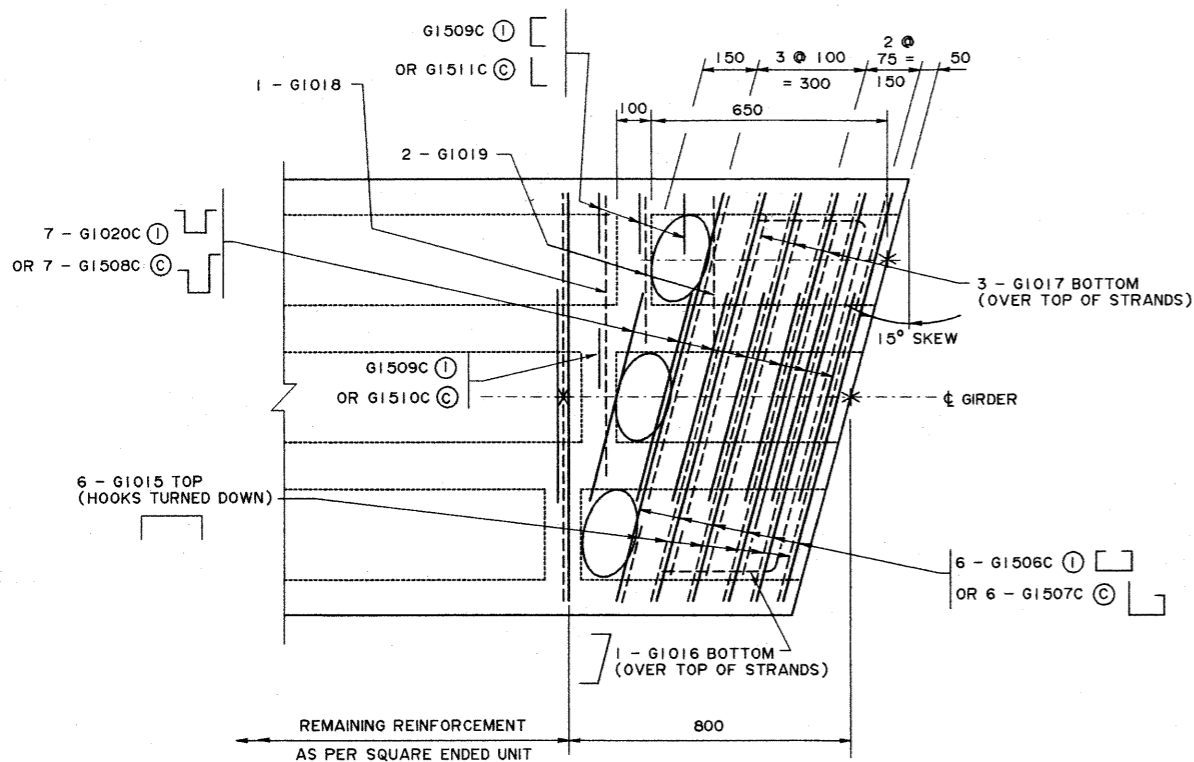


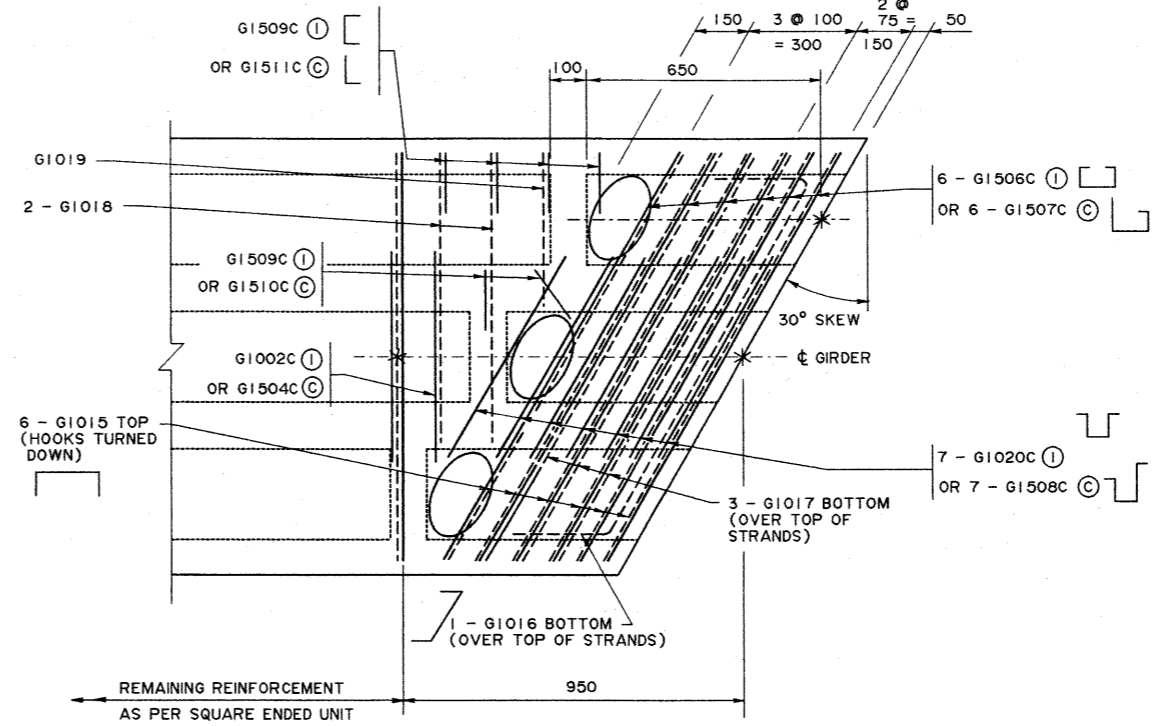
BAR LIST: GIRDER END - 15° SKEW					
MARK	SIZE	TYPE	X	Y	LENGTH
G1015	10	A	1165	300	1765
G1016	10	M	1000	270	1630
G1017	10	STR			980
G1018	10	L	800	300	1100
G1019	10	L	400	300	700
G1020C	10	K	395		1705
G1506C	15	B	1165		2555
G1507C	15	C	1165		2750
G1508C	15	D	395		1580
G1509C	15	N	555		995
G1510C	15	N	430		870
G1511C	15	P	890		1190

BAR LIST: GIRDER END - 30° SKEW					
MARK	SIZE	TYPE	X	Y	LENGTH
G1015	10	A	1300	300	1900
G1016	10	M	1000	577	1755
G1017	10	STR			1095
G1018	10	L	800	300	1100
G1019	10	L	400	300	700
G1020C	10	K	440		1750
G1506C	15	B	1300		2690
G1507C	15	C	1300		2885
G1508C	15	D	440		1625
G1509C	15	N	555		995
G1510C	15	N	430		870
G1511C	15	P	890		1190

BAR LIST: GIRDER END - 40° SKEW					
MARK	SIZE	TYPE	X	Y	LENGTH
G1015	10	A	1470	300	2070
G1016	10	M	1000	840	1905
G1017	10	STR			1240
G1018	10	L	800	300	1100
G1019	10	L	400	300	700
G1020C	10	K	495		1805
G1506C	15	B	1470		2860
G1507C	15	C	1470		3055
G1508C	15	D	495		1680
G1509C	15	N	555		995
G1510C	15	N	430		870
G1511C	15	P	890		1190

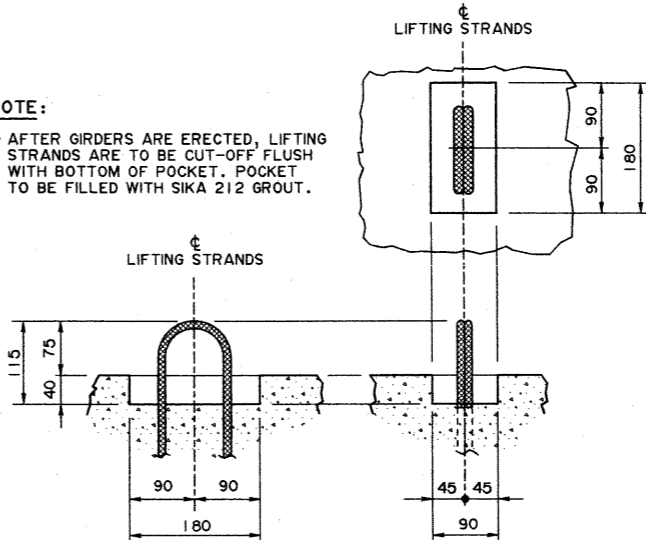


PLAN - 15° SKEW GIRDER END DETAIL
1:10



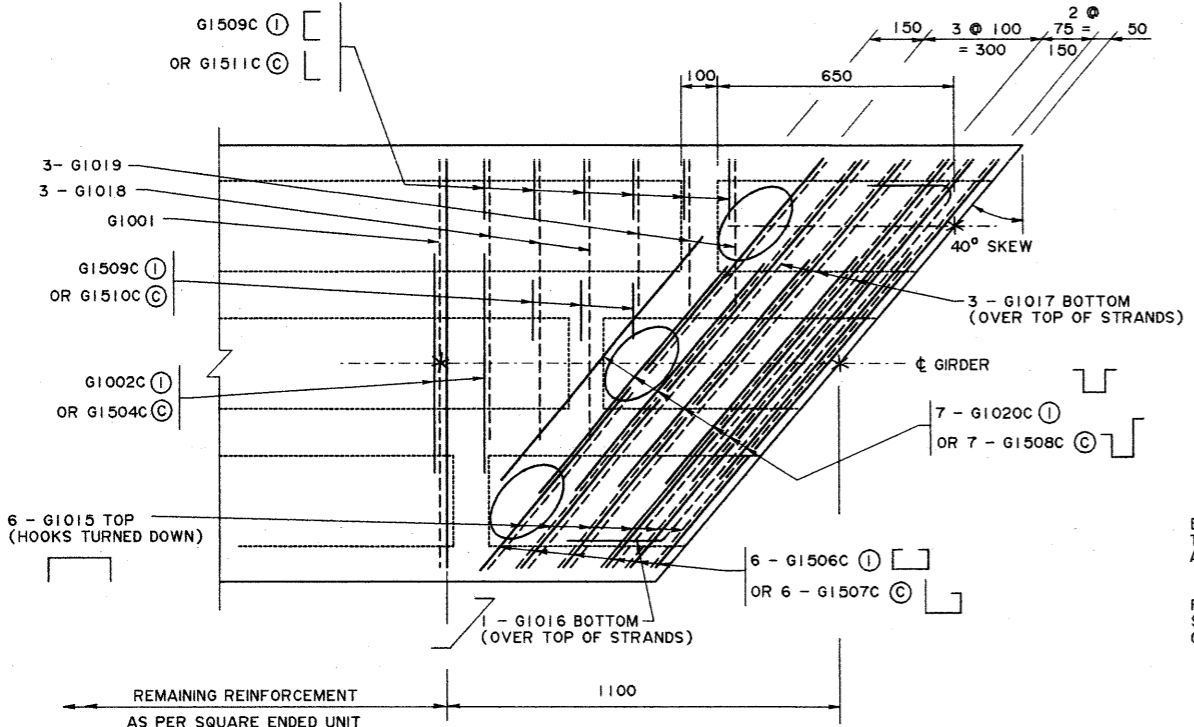
PLAN - 30° SKEW GIRDER END DETAIL
1:10

NOTE:
AT END OF CURB GIRDERS SHIFT VERTICAL ACCESS HOLE AND 100 mm THICK DIAPHRAGM AS REQUIRED TO FIT

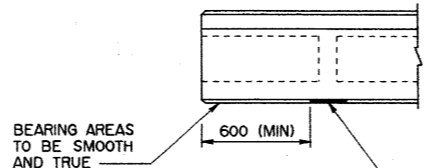


LIFTING HOOK POCKET
(TOP OF CURB ONLY)
1:5

• FOR GENERAL NOTES, SEE DWG S-1630 AND S-1633



PLAN - 40° SKEW GIRDER END DETAIL
1:10



FABRICATOR'S NAME, YEAR OF MANUFACTURE, SERIAL NUMBER OF UNIT AND CS 750 TO BE CAST INTO BOTTOM OF SLAB IN 50 mm LETTERS.

Q GIRDER IDENTIFICATION
S-1633, S-1634
1:20

NOTE:
• POSTSCRIPT LETTER "c" ON MARK NUMBERS DENOTES EPOXY COATED BARS.
• FOR BAR TYPES SEE DWG S-1633

GIRDER NOTES:
• (c) DENOTES BARS PROJECTING INTO CURBS
• (1) DENOTES BARS FOR INTERIOR GIRDERS AND BARS FOR CURB GIRDERS THAT ARE NOT UNDER CURBS
• STIRRUPS ARE SHOWN AS SOLID LINES, OTHER BARS ARE SHOWN DASHED.

SUPERSEDED BY S-1635
DATE: 2000-04-25 BY REV ON SHEET 2

APPROVED
Robertson
EXECUTIVE DIRECTOR
DATE: November 19, 1998

Alberta TRANSPORTATION AND UTILITIES
TECHNICAL STANDARDS BRANCH

STANDARD SCC COMPOSITE BRIDGES
GIRDER END DETAILS

REV	DATE	REVISIONS	BY	STREAM	LOCATION	HIGHWAY	FILE	SHEET	DRAWING
DESIGNED	DATE	CHECKED	DATE						
RY	WJW	98-08-21	6/16	98-11-13				6 of 7	S-1635

C:\MSCHNEIDER\DATA\TSB2530\USR3\STANDARDS\S-1635.DGN PLOTTED NOV 13, 1998