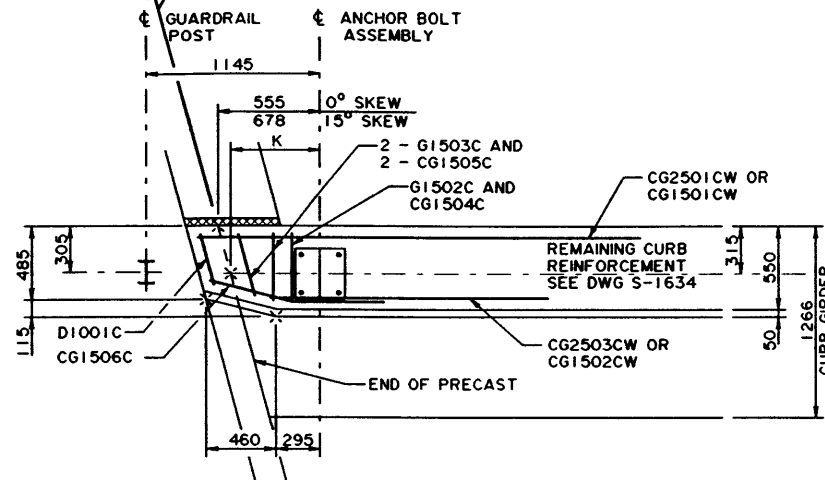
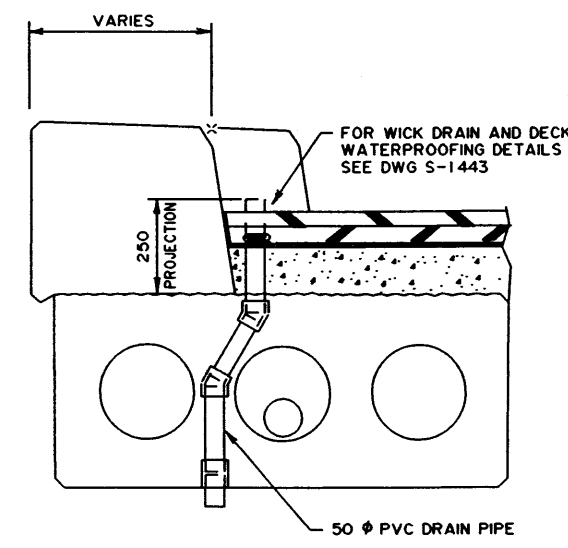


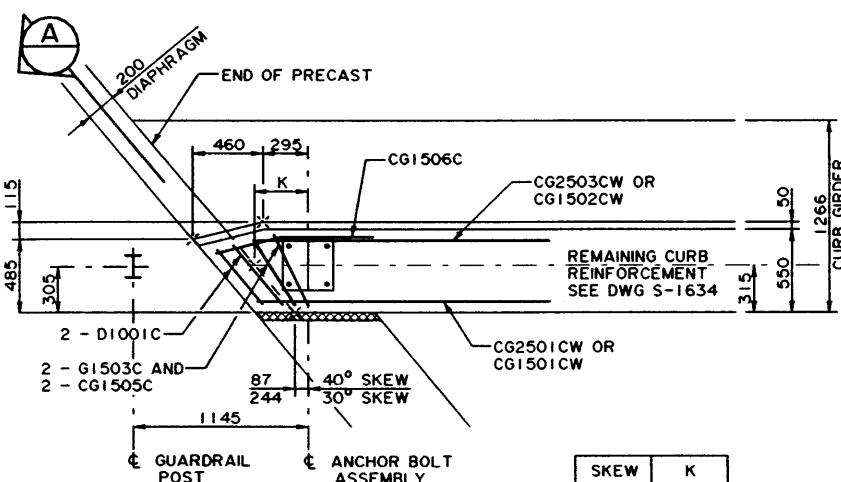
SKEW	K
40°	637
30°	622



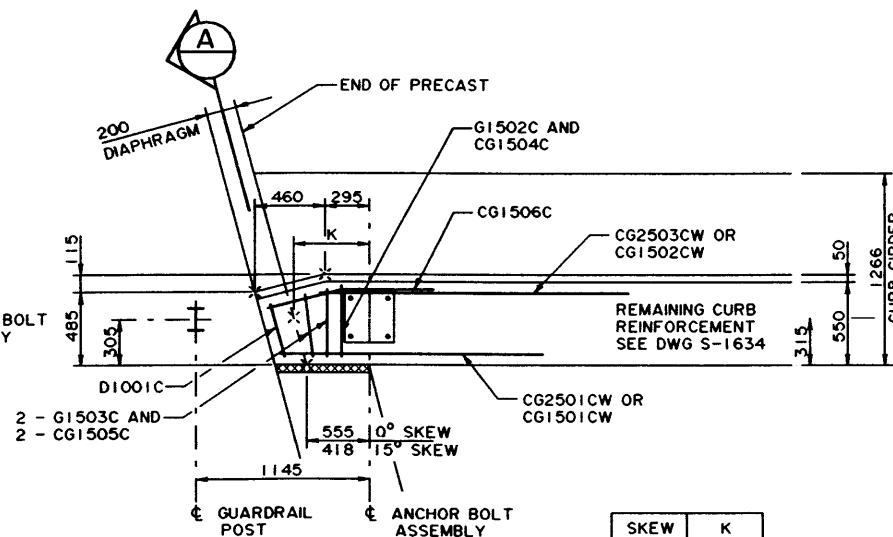
SKEW	K
0°	555
15°	594



50 Ø DRAIN
S-1630 NTS



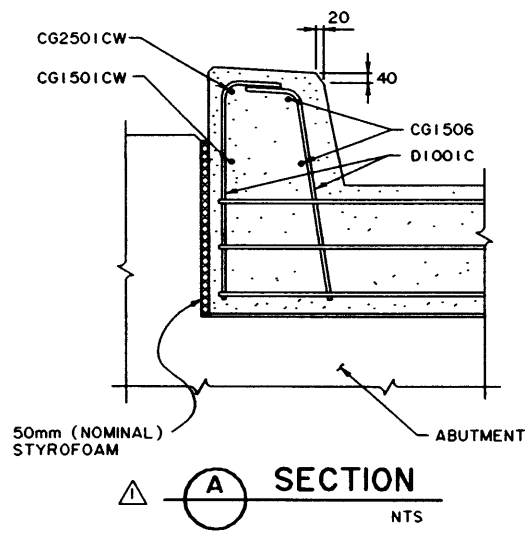
SKEW	K
40°	351
30°	426



SKEW	K
0°	555
15°	502

△ SKEW CURB END DETAILS
40° SKEW
30° SKEW
1:25

△ SKEW CURB END DETAILS
15° SKEW
0° SKEW
1:25



SECTION A-A
NTS

• FOR GENERAL NOTES, SEE DWG. S-1630 & S-1633 (2)

DESIGNED		DRAWN		DATE		CHECKED		DATE		STREAM		LOCATION		HIGHWAY		FILE		SHEET		DRAWING	
RY		WJW		98-08-21		CTC												7 of 7		S-1636	

APPROVED

ORIGINAL DRAWING APPROVED BY

ALLAN KWAN

EXECUTIVE DIRECTOR

TECHNICAL STANDARDS BRANCH

NOVEMBER 19, 1998

Alberta INFRASTRUCTURE

TECHNICAL STANDARDS BRANCH

STANDARD SCC COMPOSITE BRIDGES

CURB END DETAILS

C:\MSCHNEIDER\DATA\TSB2330\USR3\STANDARDS\S1636.RV1 PLOTTED MAY 8, 2000