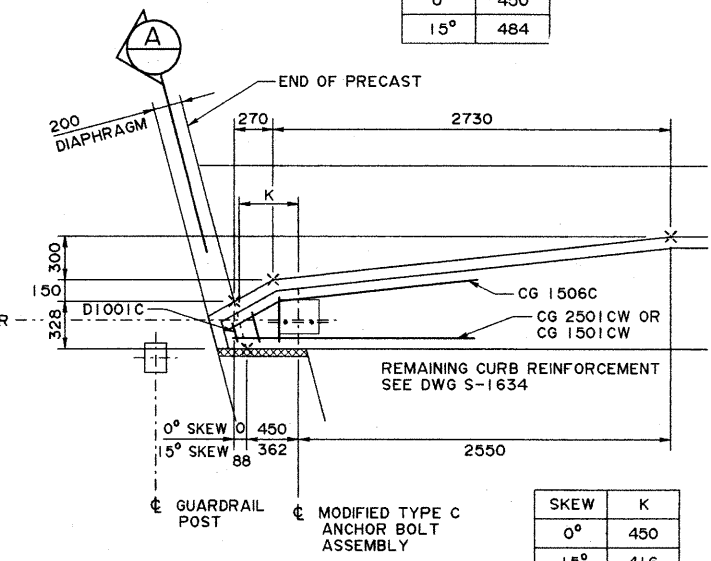
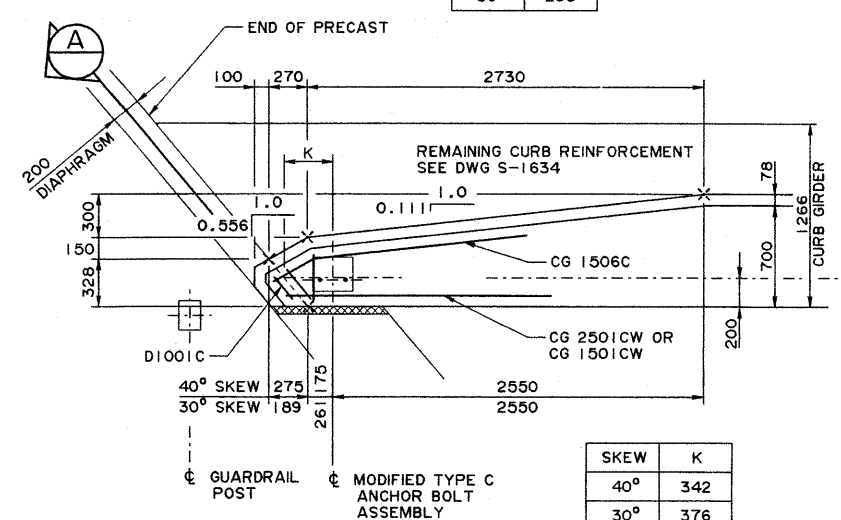
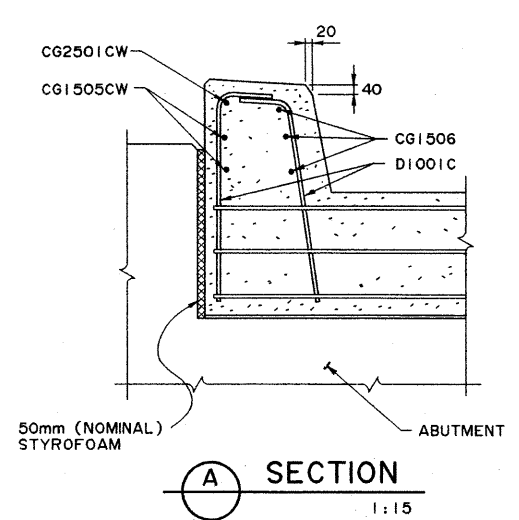


50 φ DRAIN
S-1630 1:10

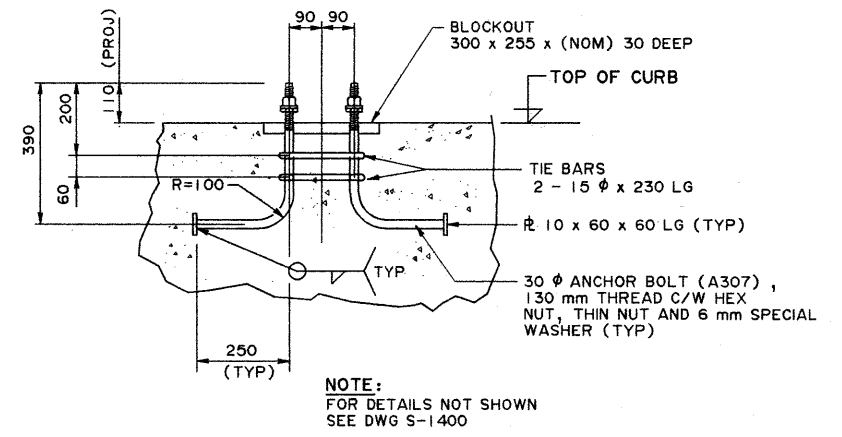


SKEW CURB END DETAILS
40° SKEW
30° SKEW
1:25

SKEW CURB END DETAILS
15° SKEW
0° SKEW
1:25



SECTION A
1:15



MODIFIED TYPE C ANCHOR BOLT ASSEMBLY
1:10

SUPERSEDED BY S-1636
DATE: 2000-09-25 BY REV ON SHEET 2

FOR GENERAL NOTES, SEE DWG. S-1630 & S-1633

DESIGNED RY		DRAWN WJW		DATE 98-08-21		CHECKED CTC		DATE 98-11-13		STREAM		LOCATION		HIGHWAY		FILE		SHEET 7 of 7		DRAWING S-1636	
APPROVED <i>Allan Owen</i> EXECUTIVE DIRECTOR DATE: Nov 19, 1998										Alberta TRANSPORTATION AND UTILITIES TECHNICAL STANDARDS BRANCH STANDARD SCC COMPOSITE BRIDGES CURB END DETAILS											

C:\WSCHNEIDER\DATA\TSB2530\USR3\STANDARDS\S1636.DGN PLOTTED NOV 13, 1998