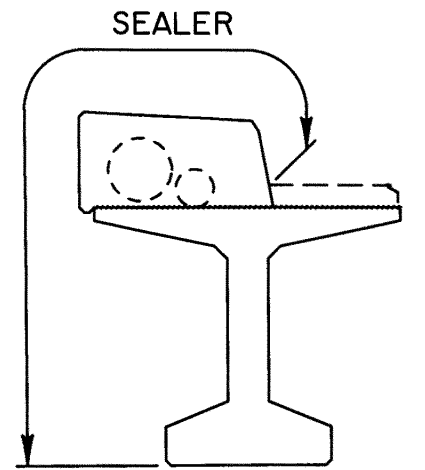
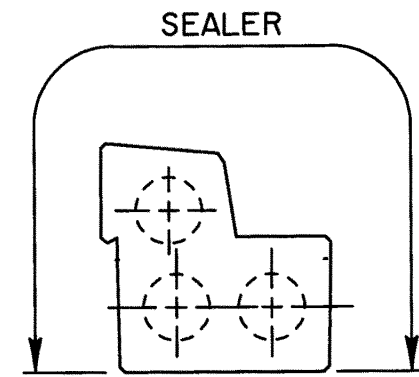


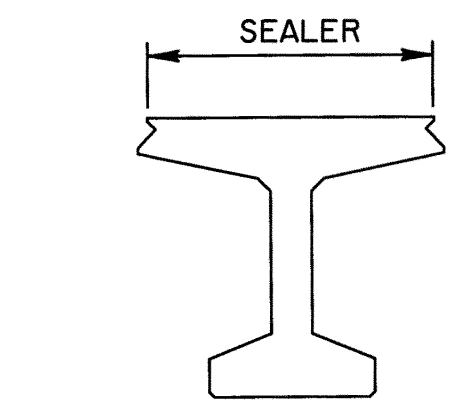
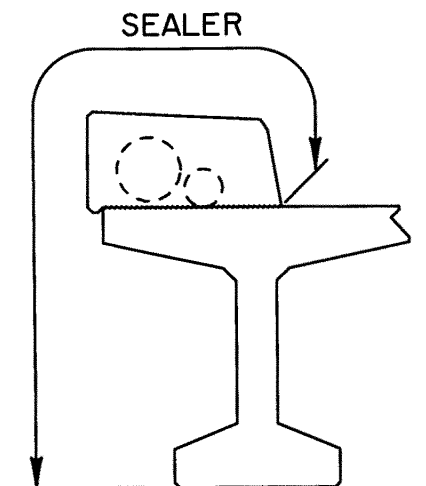
COMPOSITE SCC GIRDERS



COMPOSITE BULB-TEE OR NU GIRDERS <sup>Ⓐ</sup>



STANDARD SC-510 GIRDERS



STANDARD DBC GIRDERS <sup>Ⓑ</sup>

<sup>Ⓐ</sup>			
<sup>Ⓑ</sup>			
<sup>Ⓐ</sup>	2001-05-01	NU GIRDER ADDED & DEPARTMENT NAME	RY
<sup>Ⓐ</sup>	99-03-29	BEB CHANGED TO TSB	RY
NO	DATE	REVISIONS	BY

**Alberta** TRANSPORTATION TECHNICAL STANDARDS BRANCH

TYPE I<sub>c</sub> SEALER FOR PRECAST GIRDERS

DESIGNED RY	DRAWN WS	DATE 97-12-01	APPROVED EXECUTIVE DIRECTOR	SIGNATURE	DATE	DRAWING S-1637-97
----------------	-------------	------------------	--------------------------------	-----------	------	----------------------