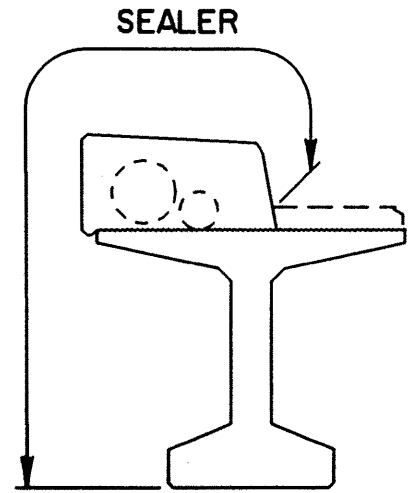
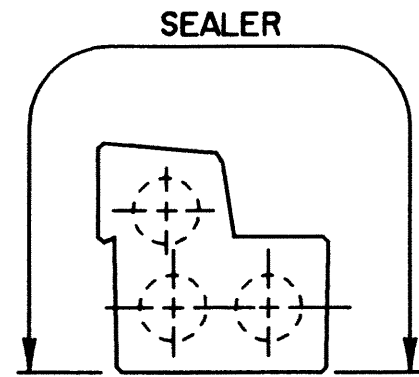


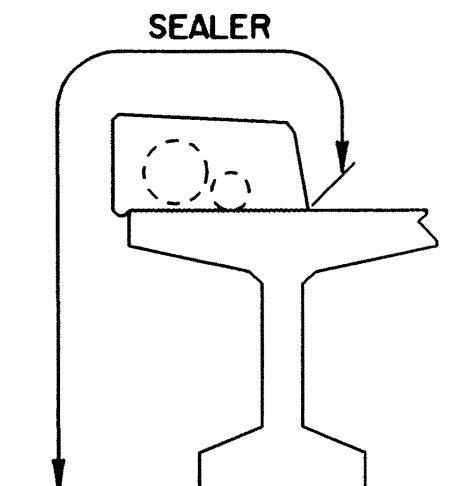
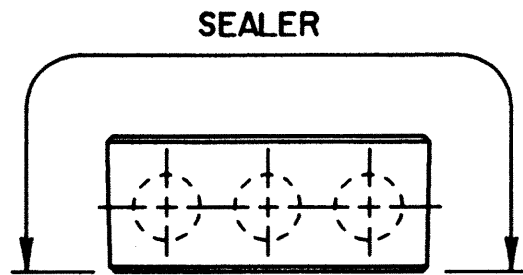
COMPOSITE SCC GIRDBERS



COMPOSITE BULB-TEE GIRDBERS



STANDARD SC-510 GIRDBERS



STANDARD DBC GIRDBERS

SUPERSEDED
 BY 5-1637-97
 REV A
 ON SHEET 2

▲			
▲			
▲			
▲			

NO	DATE	REVISIONS	BY
DESIGNED	DRAWN	DATE	APPROVED
RY	WS	97-12-01	EXECUTIVE DIRECTOR

Alberta TRANSPORTATION AND UTILITIES
 TECHNICAL STANDARDS BRANCH

TYPE 1c SEALER FOR
 PRECAST GIRDBERS

SIGNATURE	DATE	DRAWING
		S-1637-97