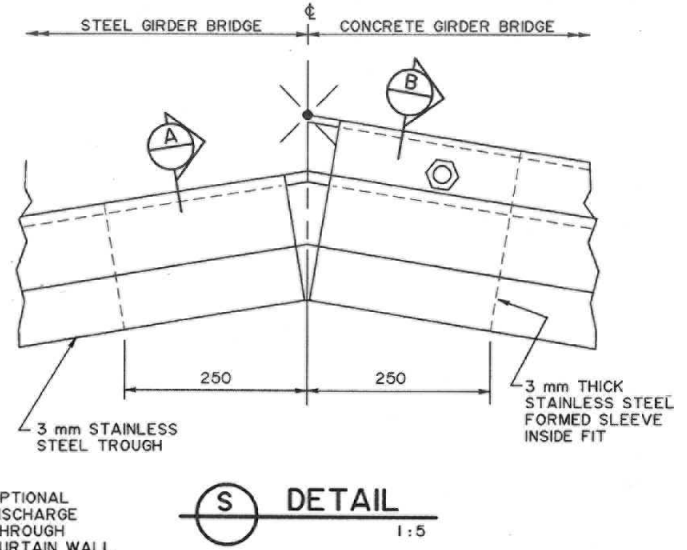
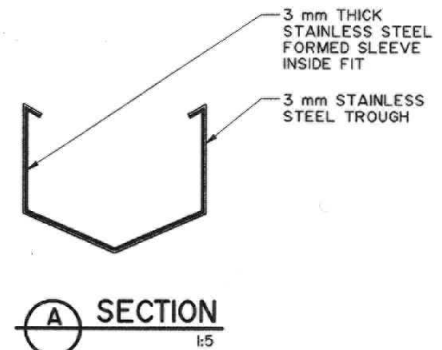


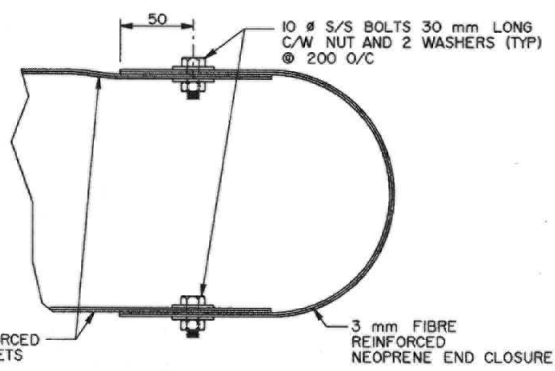
ABUTMENT ELEVATION
(SHOWING SS TROUGH DRAINS) 1:25



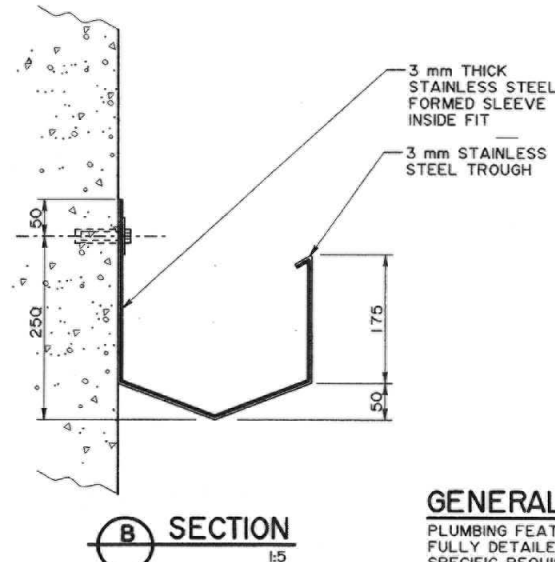
DETAIL S
1:5



SECTION A
1:5

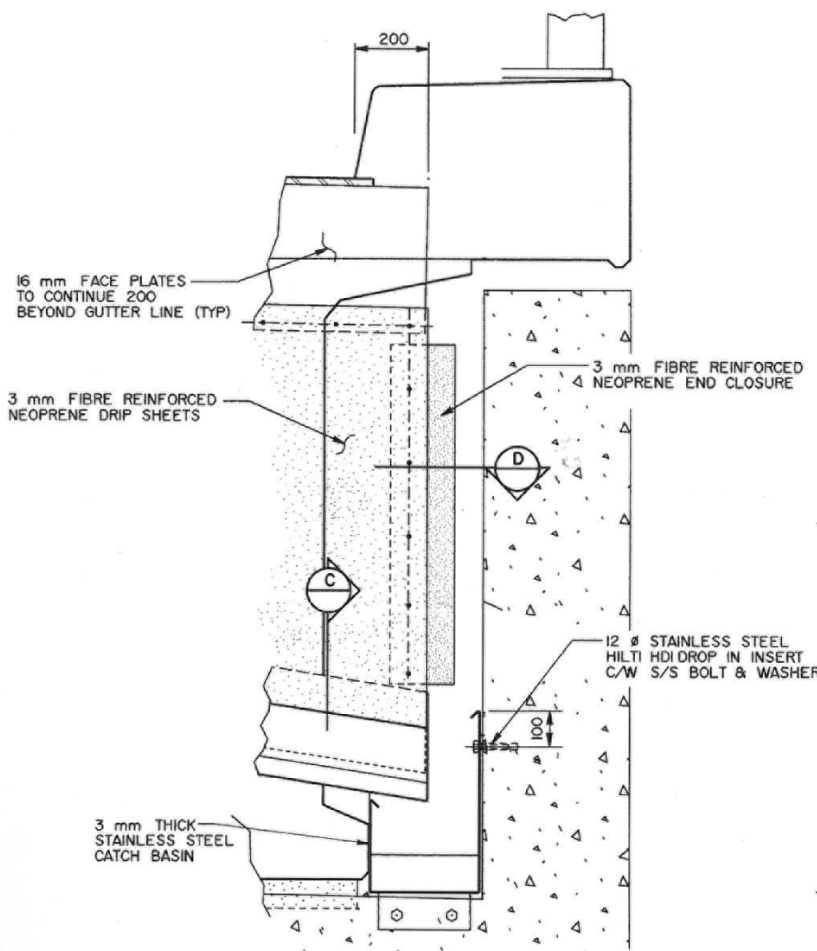


SECTION D
1:2.5

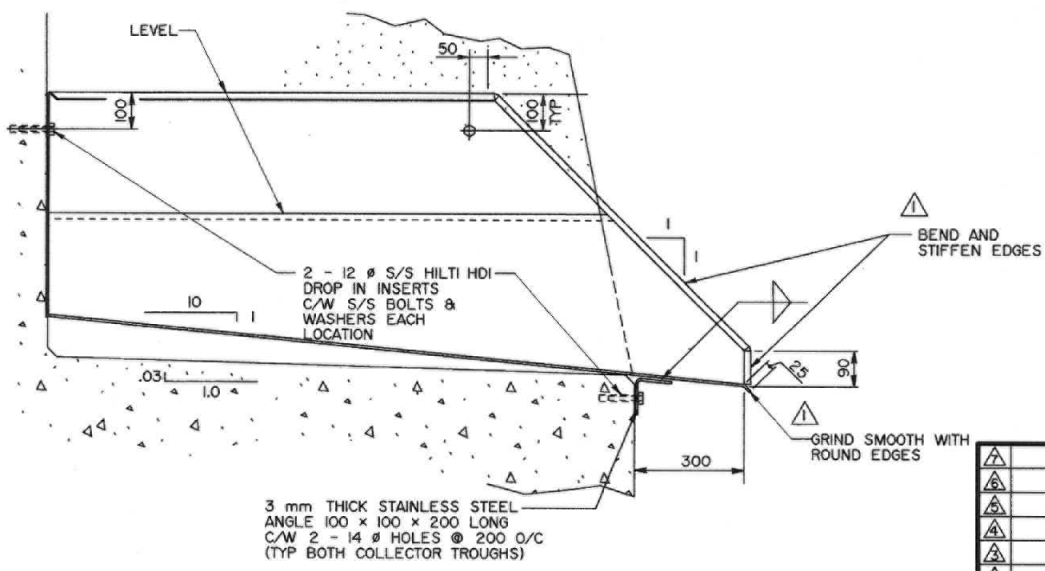


SECTION B
1:5

GENERAL NOTES
PLUMBING FEATURES SHOWN SHALL BE DEVELOPED AND FULLY DETAILED ON CONTRACT DRAWINGS TO FIT SITE SPECIFIC REQUIREMENTS



SECTION Q
1:10



SECTION C
1:10

DESIGNED		DRAWN		DATE		CHECKED		DATE		STREAM		LOCATION		HIGHWAY		FILE		SHEET		DRAWING	
RY		WJW		99-02-06		AW												3 of 3		S-1640	

APPROVED	
ORIGINAL DRAWING APPROVED BY	
ALLAN KWAN	
EXECUTIVE DIRECTOR	
TECHNICAL STANDARDS BRANCH	
MAY 4, 1999	

2005-11-08 SECTION "C" DETAILS			
REV	DATE	REVISIONS	BY

Alberta TRANSPORTATION AND UTILITIES
TECHNICAL STANDARDS BRANCH

STANDARD FINGER PLATE
DECK JOINT ASSEMBLY
TYPICAL DRAIN TROUGH DETAILS