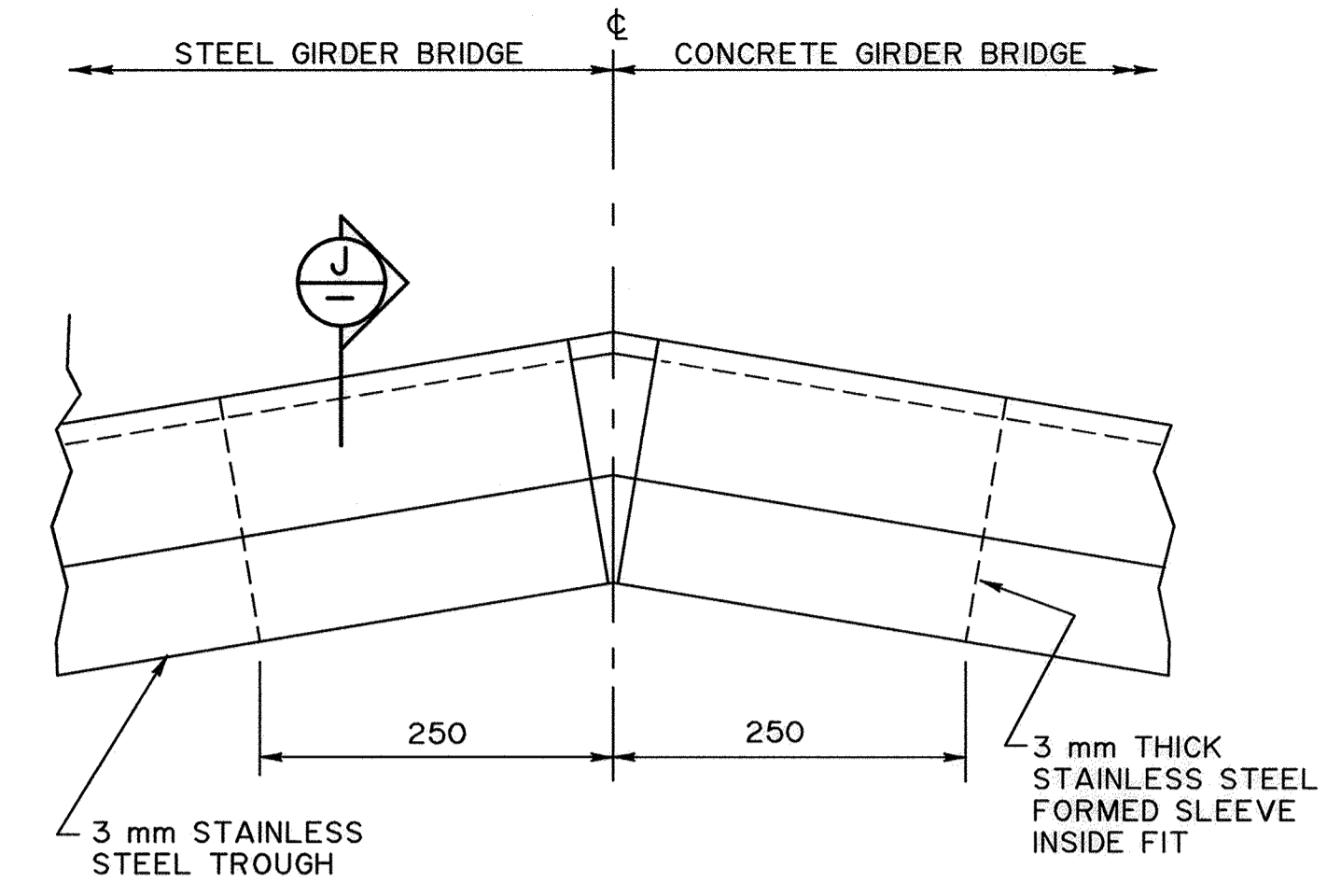
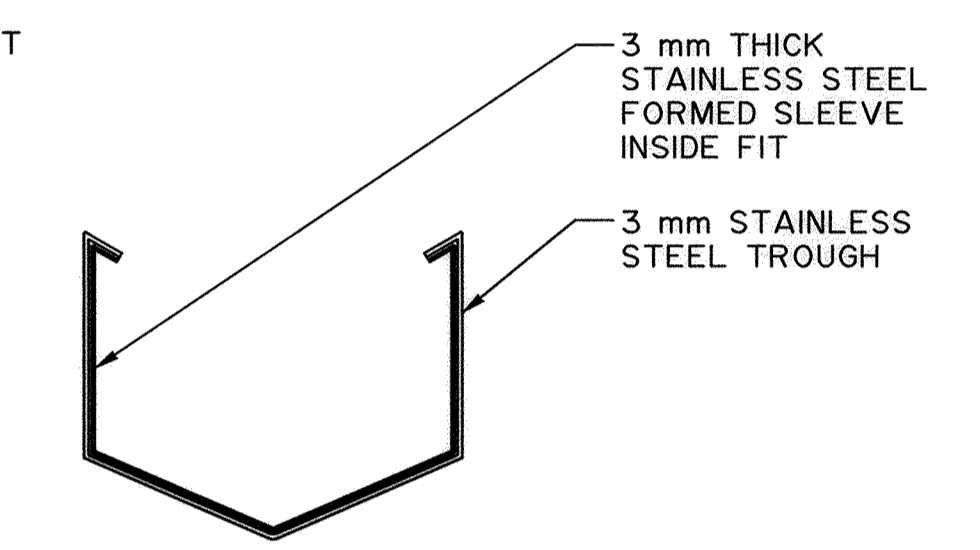


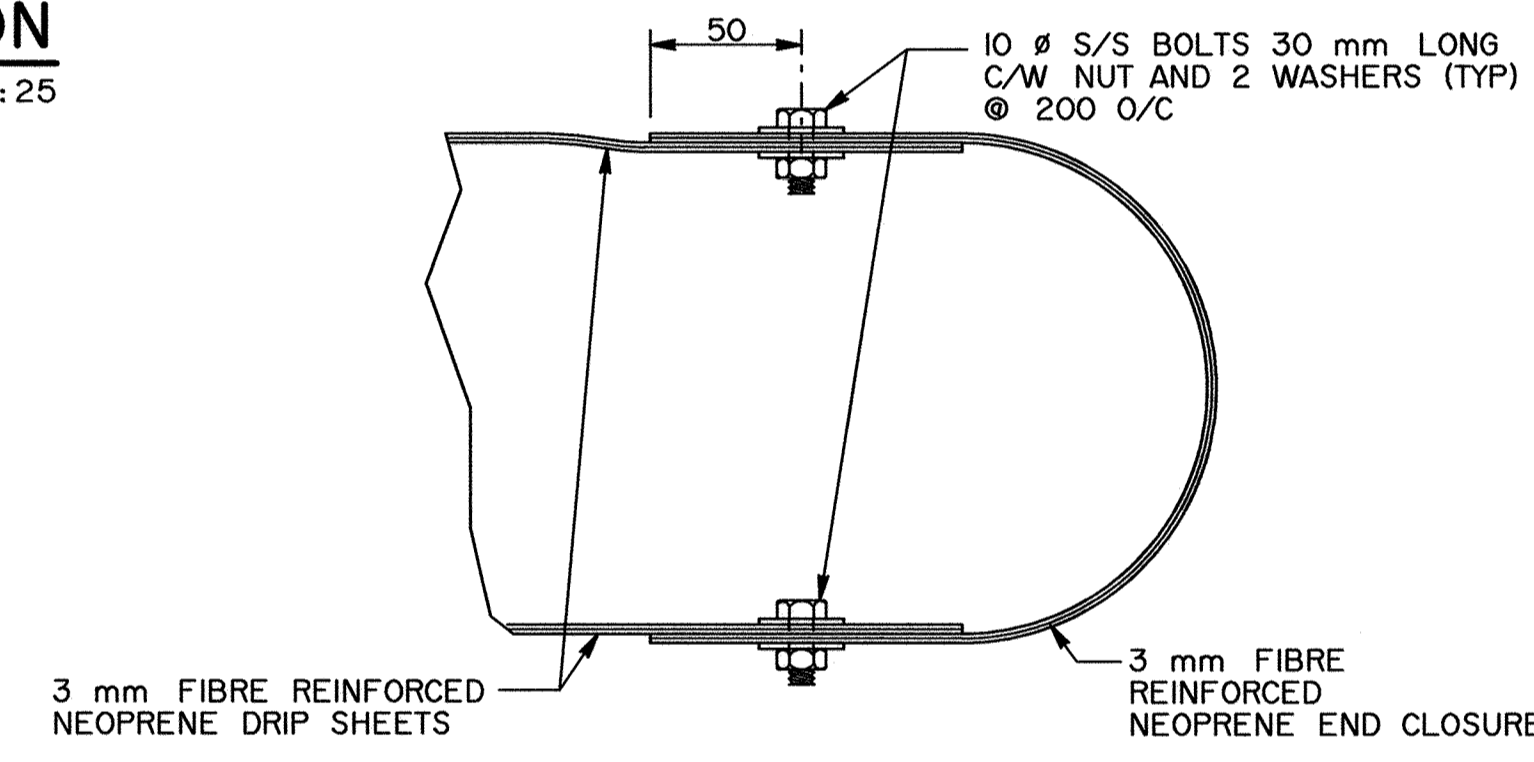
ABUTMENT ELEVATION
(SHOWING SS TROUGH DRAINS) 1:25



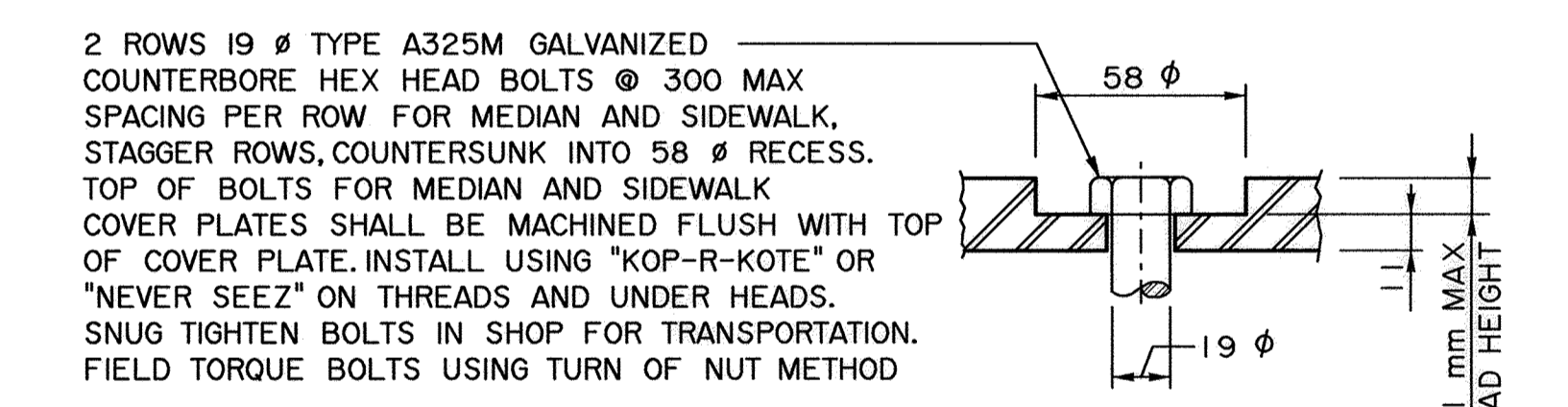
DETAIL
1:5



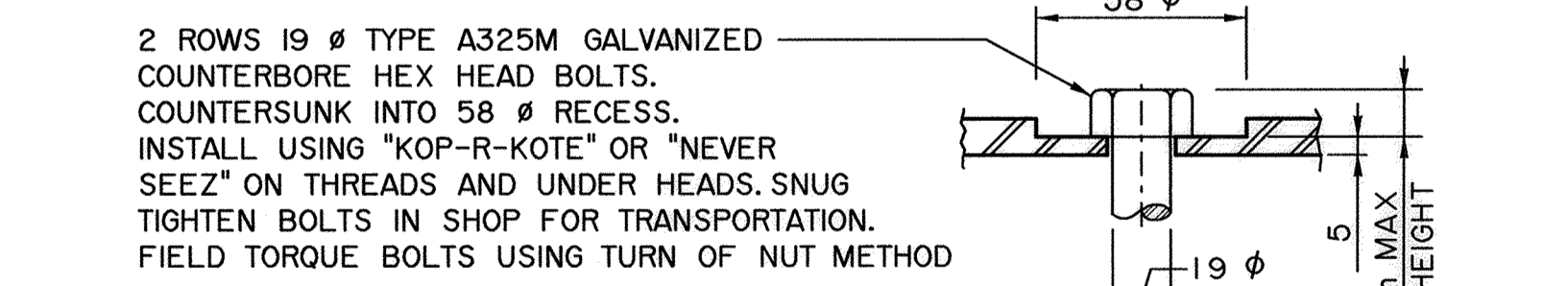
SECTION
1:5



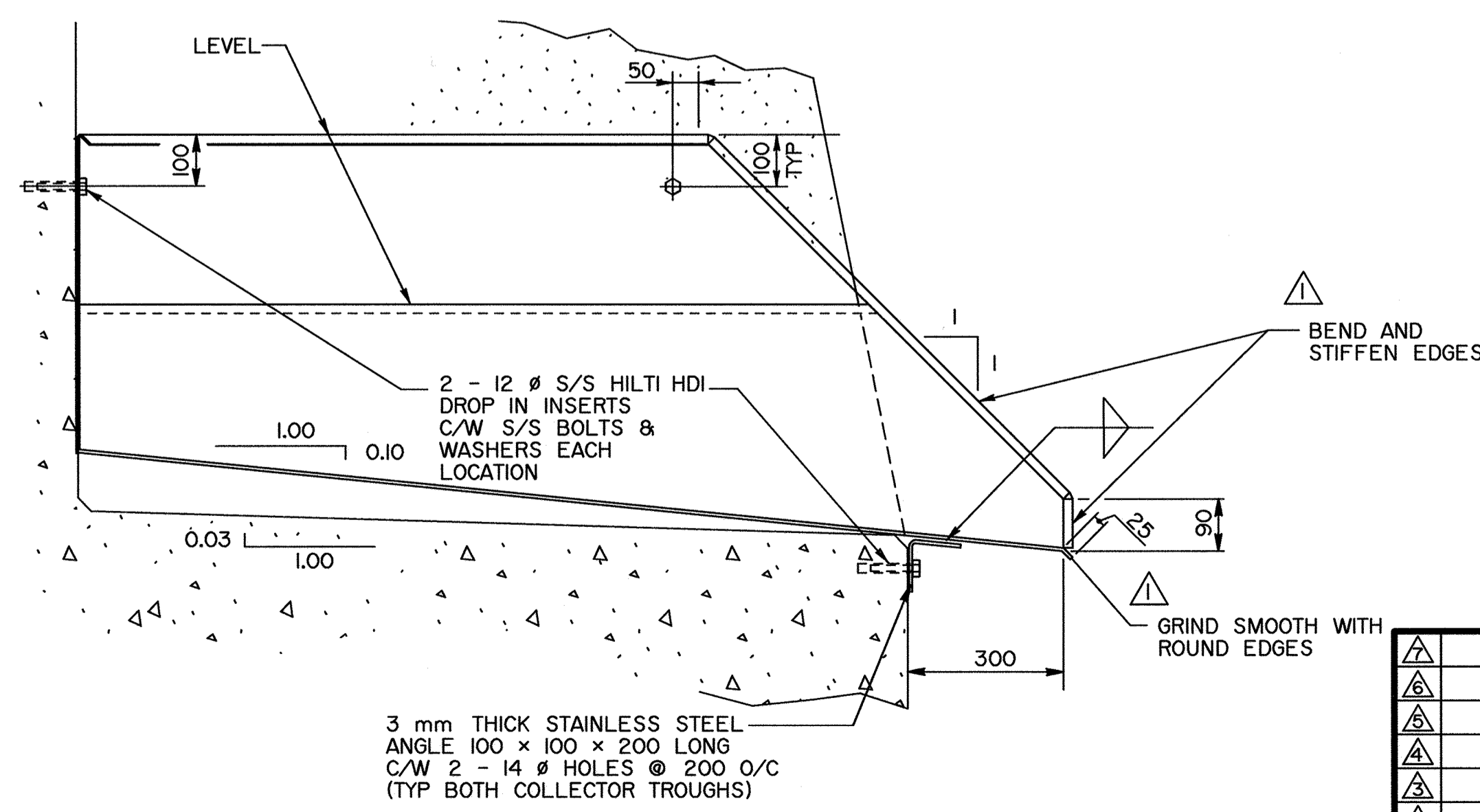
SECTION
1:2.5



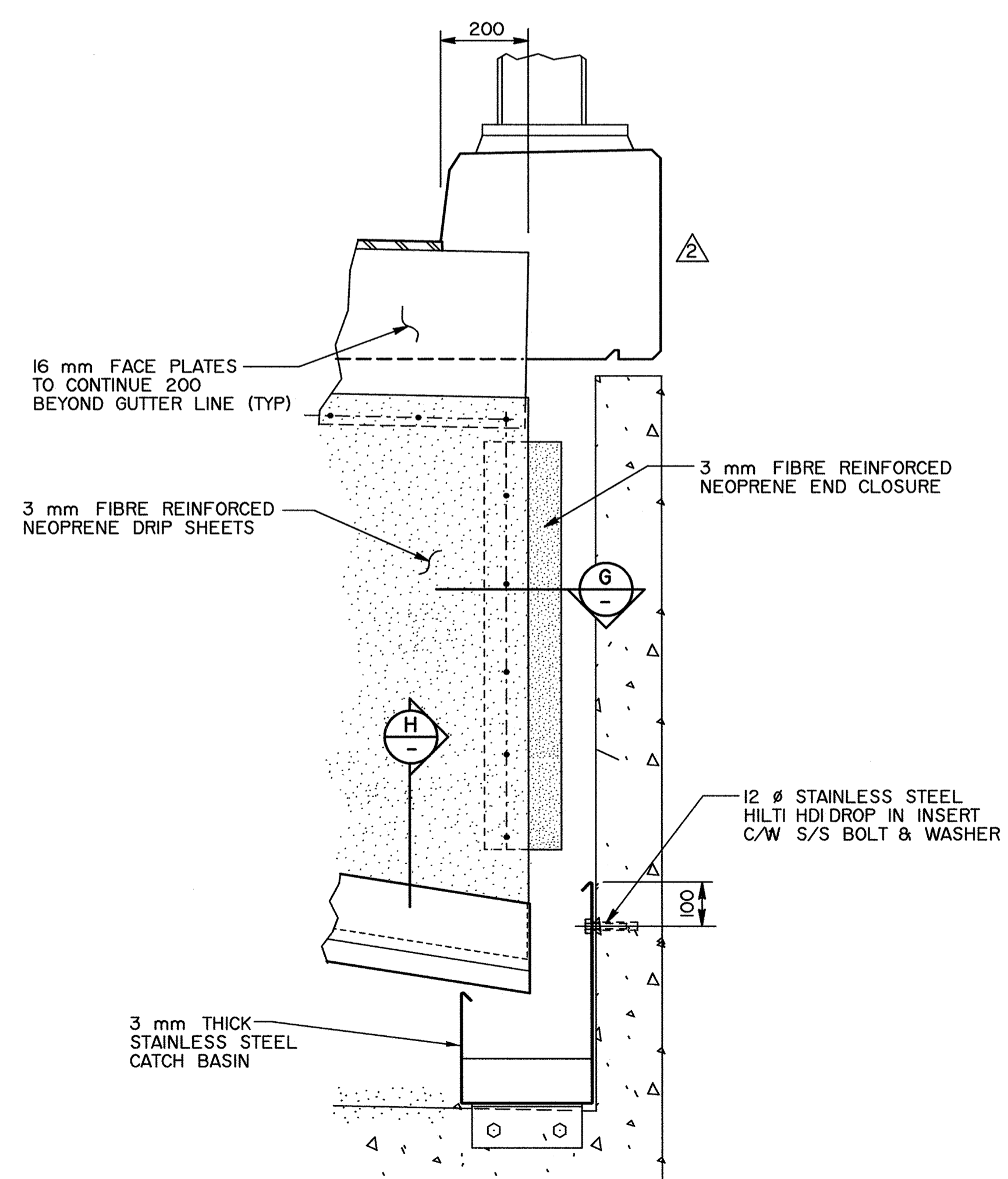
BOLT
REQ'D FOR MEDIAN AND SIDEWALK COVER PLATES 1:2



BOLT
REQ'D FOR CURB COVER PLATES 1:2



SECTION H
1:10



COLLECTOR TROUGH
1:10

GENERAL NOTES

PLUMBING FEATURES SHOWN SHALL BE DEVELOPED AND FULLY DETAILED ON CONTRACT DRAWINGS TO FIT SITE SPECIFIC REQUIREMENTS

DESIGNED		DRAWN		DATE		CHECKED		DATE		STREAM		LOCATION		HIGHWAY		FILE		SHEET		DRAWING	
RY/CM		WJW		99-02-06		AW												3 of 3		S-1640	

APPROVED		ORIGINAL DRAWING APPROVED BY	
		ALLAN KWAN	
		EXECUTIVE DIRECTOR	
		TECHNICAL STANDARDS BRANCH	
		MAY 4, 1999	

2012-01-18 CURBS & DETAILS REVISED		2005-11-08 SECTION "C" DETAILS	
BY: CM		RY	

2012-01-18 S-1640-RV2.DGN