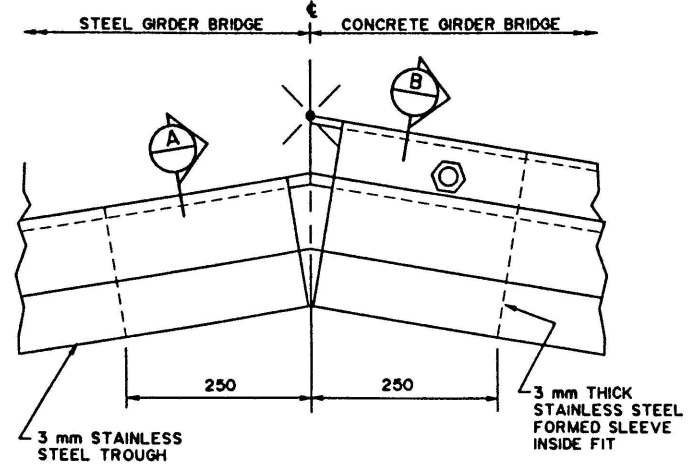
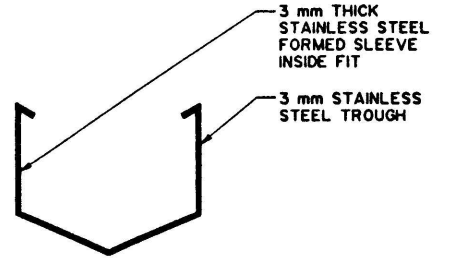


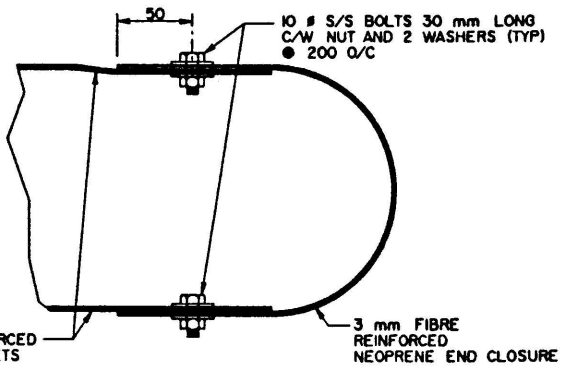
ABUTMENT ELEVATION
(SHOWING SS TROUGH DRAINS) 1:25



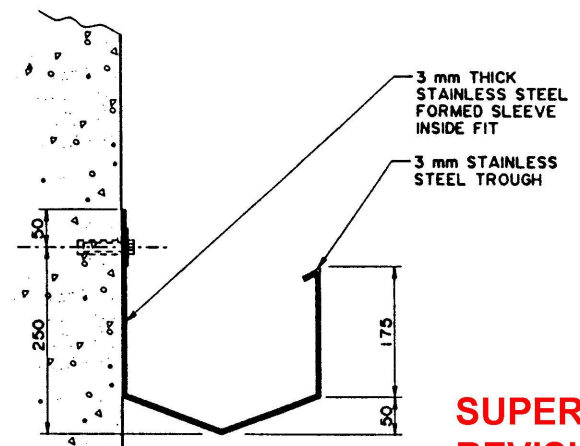
DETAIL S
1:5



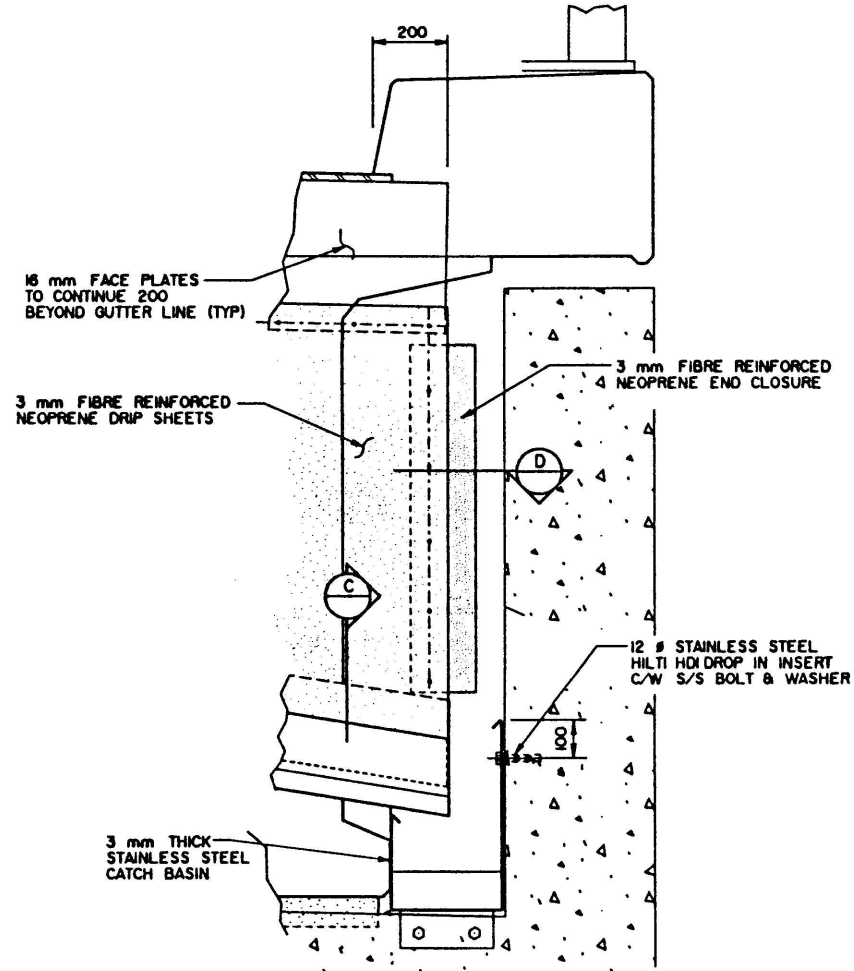
SECTION A
1:5



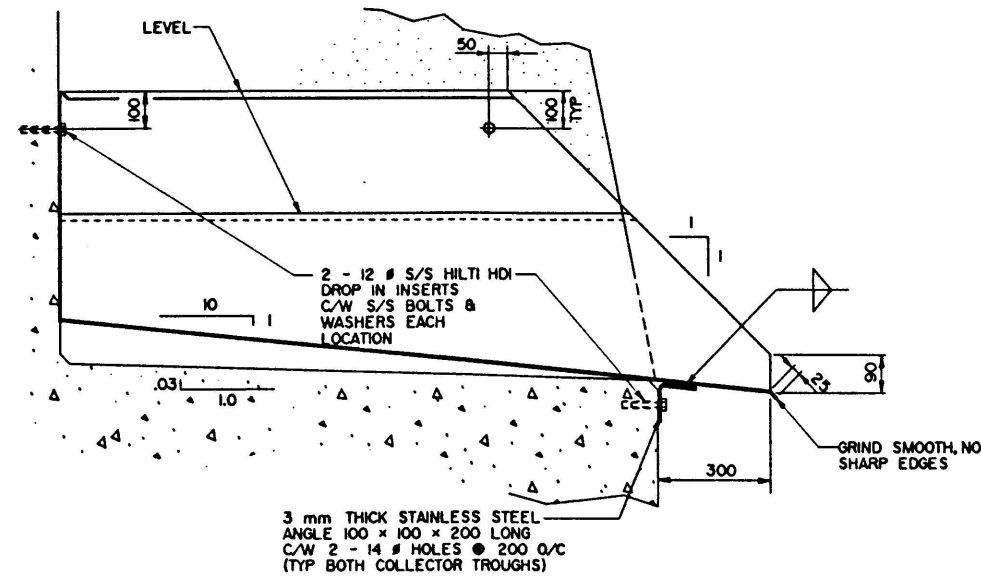
SECTION D
1:2.5



SECTION B
1:5



COLLECTOR TROUGH Q
1:10



SECTION C
1:10

**SUPERSEDED BY S-1640
REVISION 1, 2005-11-08**

GENERAL NOTES
PLUMBING FEATURES SHOWN SHALL BE DEVELOPED AND FULLY DETAILED ON CONTRACT DRAWINGS TO FIT SITE SPECIFIC REQUIREMENTS

DESIGNED		DRAWN		DATE		CHECKED		DATE		BY		APPROVED		Alberta TRANSPORTATION AND UTILITIES TECHNICAL STANDARDS BRANCH	
RY		WJW		99-02-06		AW		April 29/99				<i>Al... ..</i> EXECUTIVE DIRECTOR TECHNICAL STANDARDS BRANCH		STANDARD FINGER PLATE DECK JOINT ASSEMBLY TYPICAL DRAIN TROUGH DETAILS	
REV	DATE	REVISIONS								STREAM	LOCATION	HIGHWAY	FILE	SHEET	DRAWING
														3 of 3	S-1640