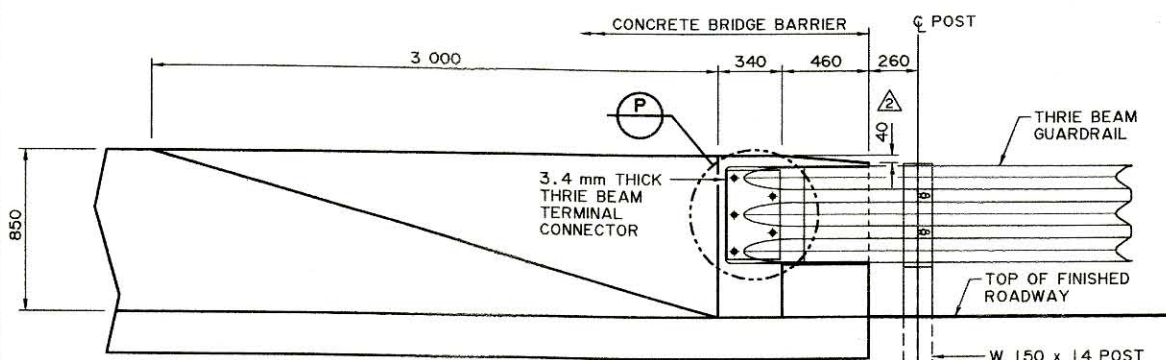
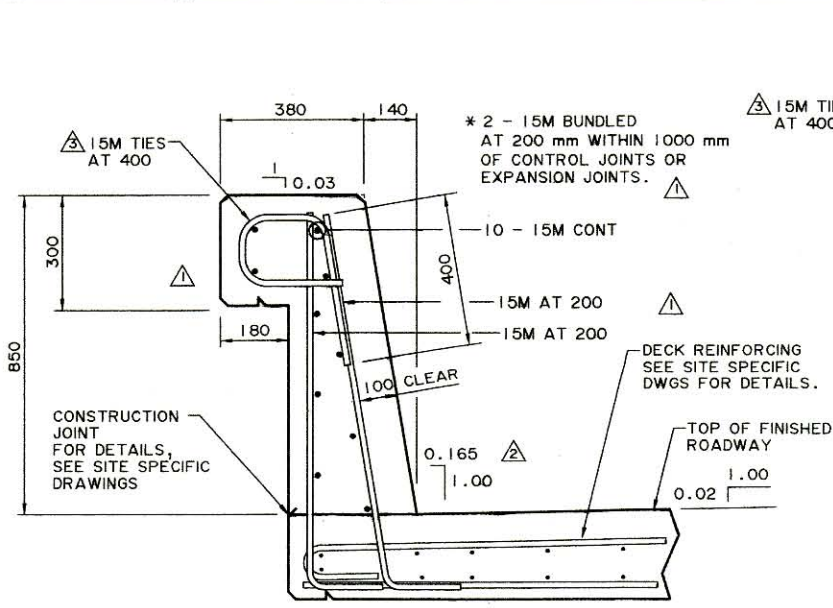


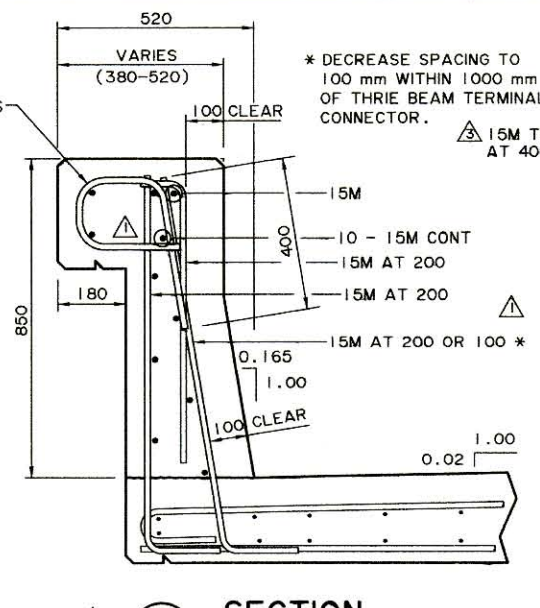
BRIDGE BARRIER PLAN
1:20



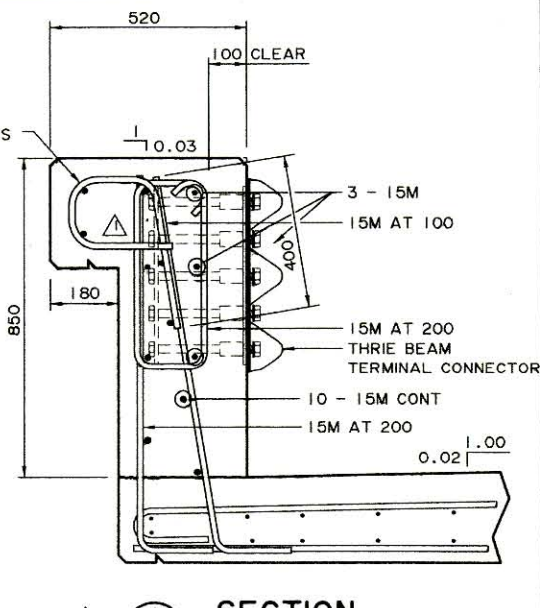
BRIDGE BARRIER ELEVATION
1:20



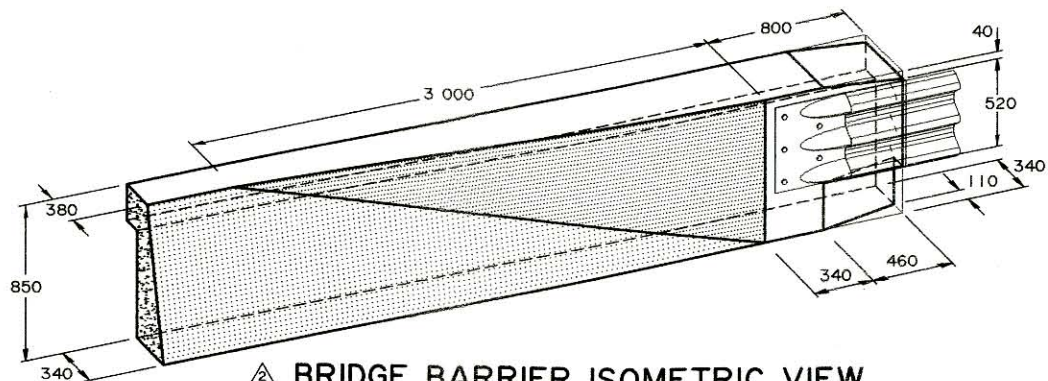
TYPICAL BRIDGE BARRIER SECTION
1:10



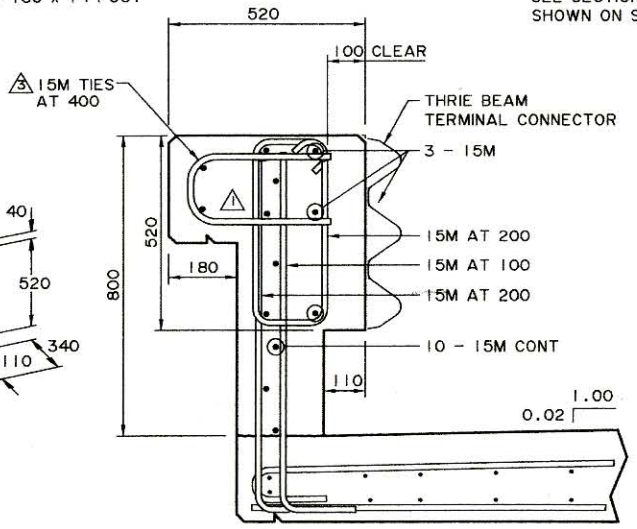
SECTION B
1:10



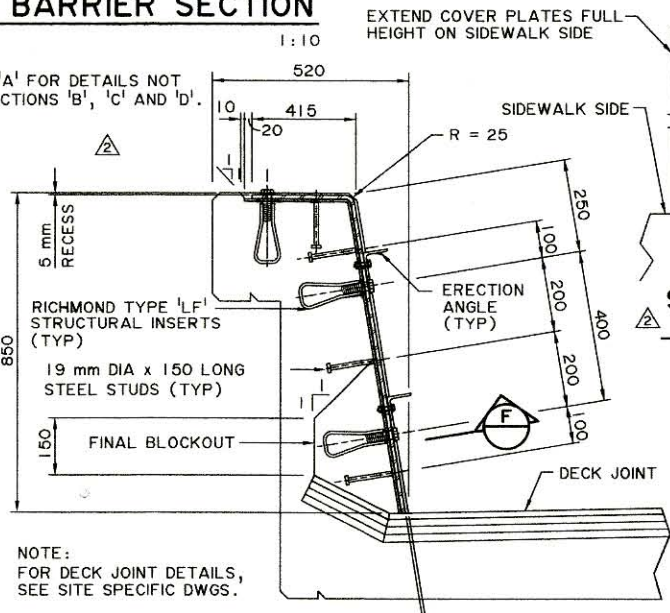
SECTION C
1:10



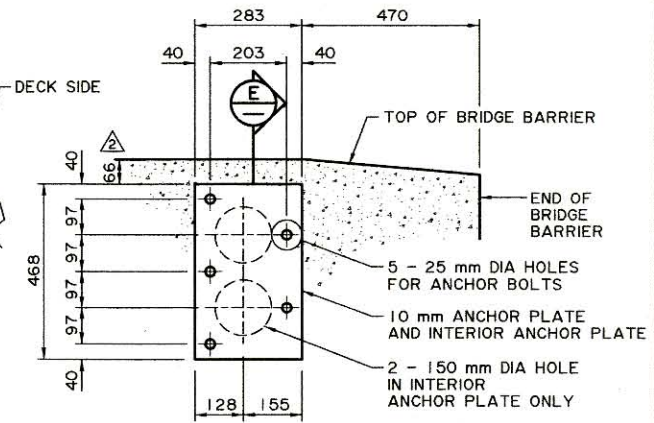
BRIDGE BARRIER ISOMETRIC VIEW



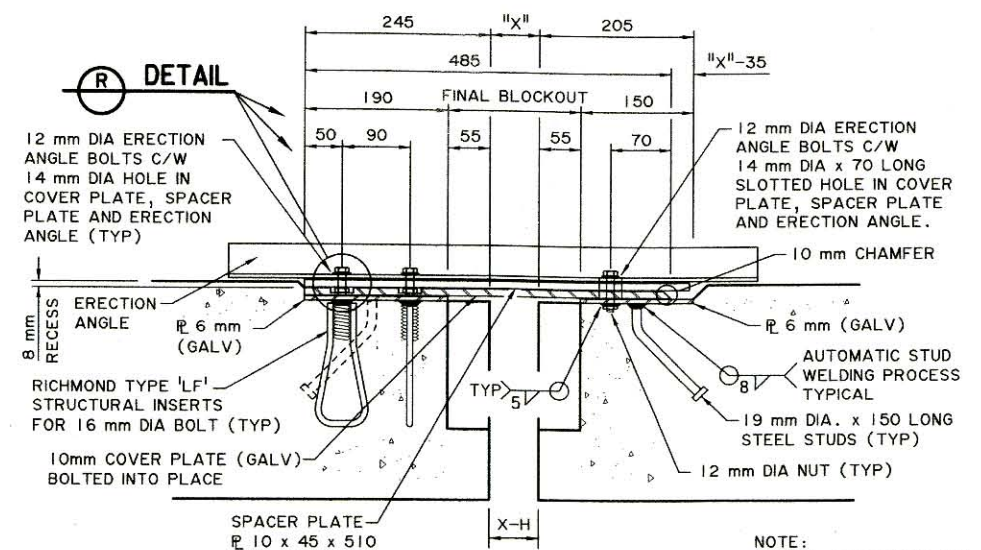
SECTION D
1:10



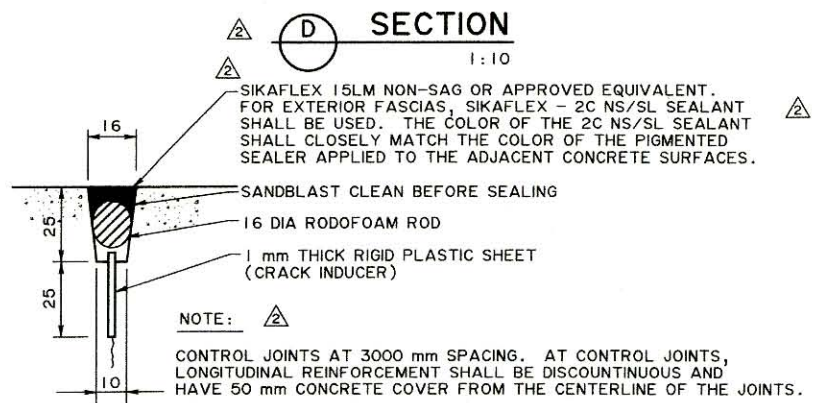
TYPICAL BRIDGE BARRIER SECTION AT DECK JOINT
1:10



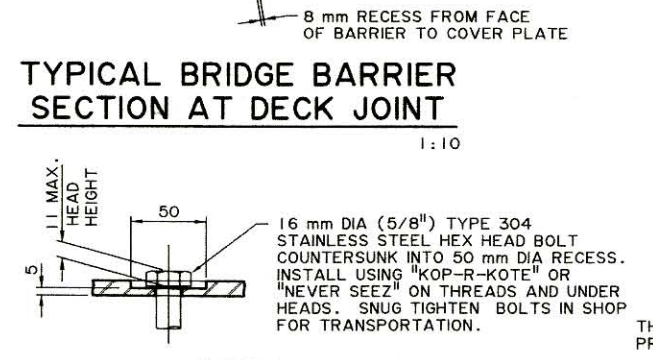
APPROACH RAIL TRANSITION ANCHORAGE DETAIL
1:10



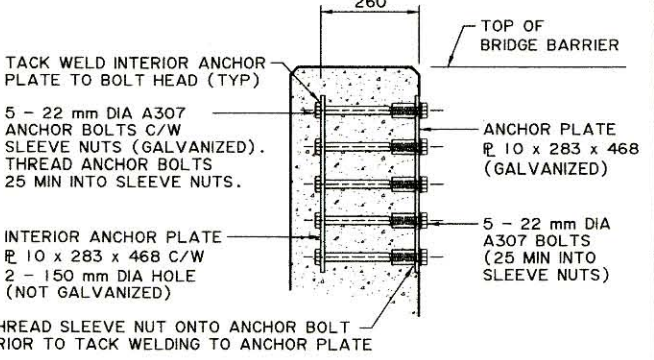
DETAIL R



CONTROL JOINT DETAIL



DETAIL
N.T.S.



SECTION E
1:10

SUPERSEDED BY S-1650-00 REVISION 4, 2008-09-18

WORK THESE DRAWINGS TOGETHER: S-1650-00 AND S-1651-00

0705-103-00-3 / S-1650-00.rv3

<p>UMA Engineering Ltd. Engineers, Planners & Surveyors</p>	<p>PERMIT TO PRACTICE UMA ENGINEERING LTD. PERMIT NUMBER P 5778 ORIGINAL SIGNED AND STAMPED BY: ART WASHUTA ON: NOVEMBER 21, 2000 <small>The Association of Professional Engineers, Geologists and Geophysicists of Alberta</small></p>	<p>DESIGNER </p>	<p>CHECKER </p>	<p>RECOMMENDED DIRECTOR BRIDGE ENGINEERING</p>	<p>ORIGINAL SIGNED BY REG QUINTON</p>	
				<p>APPROVED EXECUTIVE DIRECTOR TECHNICAL STANDARDS BRANCH</p>		<p>ORIGINAL SIGNED BY TIM HAWNT</p>
<p>DATE: _____ DATE: _____</p>				<p>DATE: NOV 22, 2000</p>	<p>SHEET: 1 of 2</p>	<p>DRAWING: S-1650-00</p>

Alberta INFRASTRUCTURE

PL-2 SINGLE SLOPE CONCRETE BRIDGE BARRIER BARRIER DETAILS

DATE: 2000-06-21

REV	DATE	REVISIONS	BY
△	2007-07-30	15M TIE BAR SHAPE	RY
△	2007-02-14	CONTROL JOINT DETAIL, THREE BEAM GUARDRAIL HEIGHT, COVER PLATE, WATERSTOP REMOVED	RY
△	2004-03-01	OPTIONAL BARRIER SHAPE MODIFIED & OPTIONAL PEDESTRIAN RAIL ADDED	RY