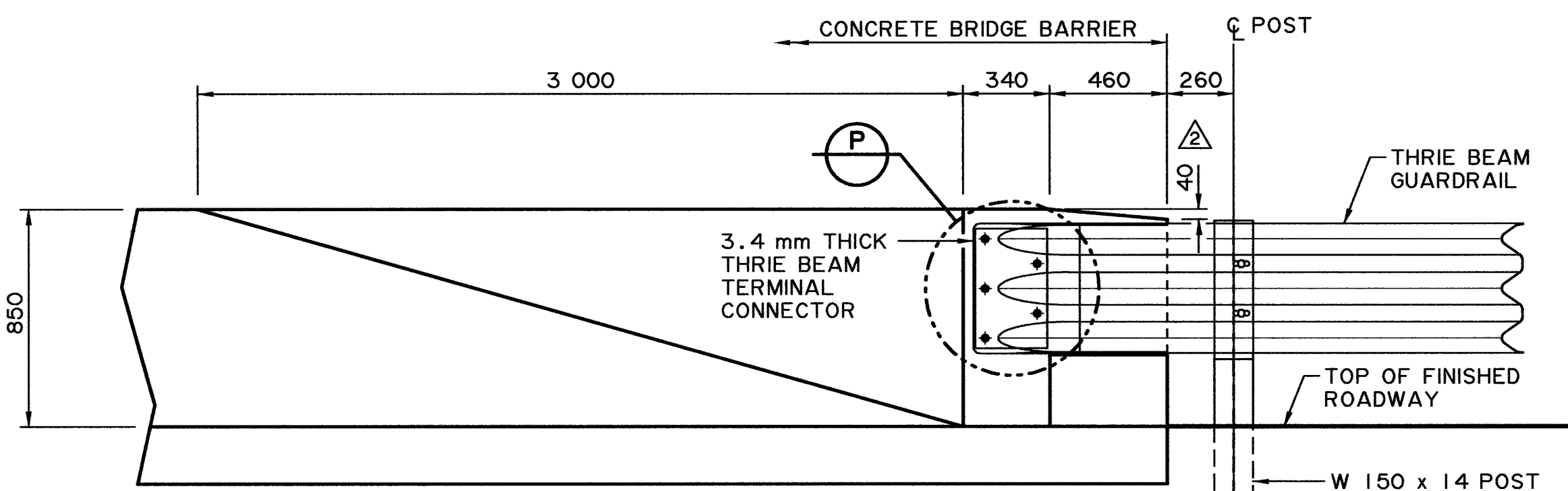


BRIDGE BARRIER END PLAN

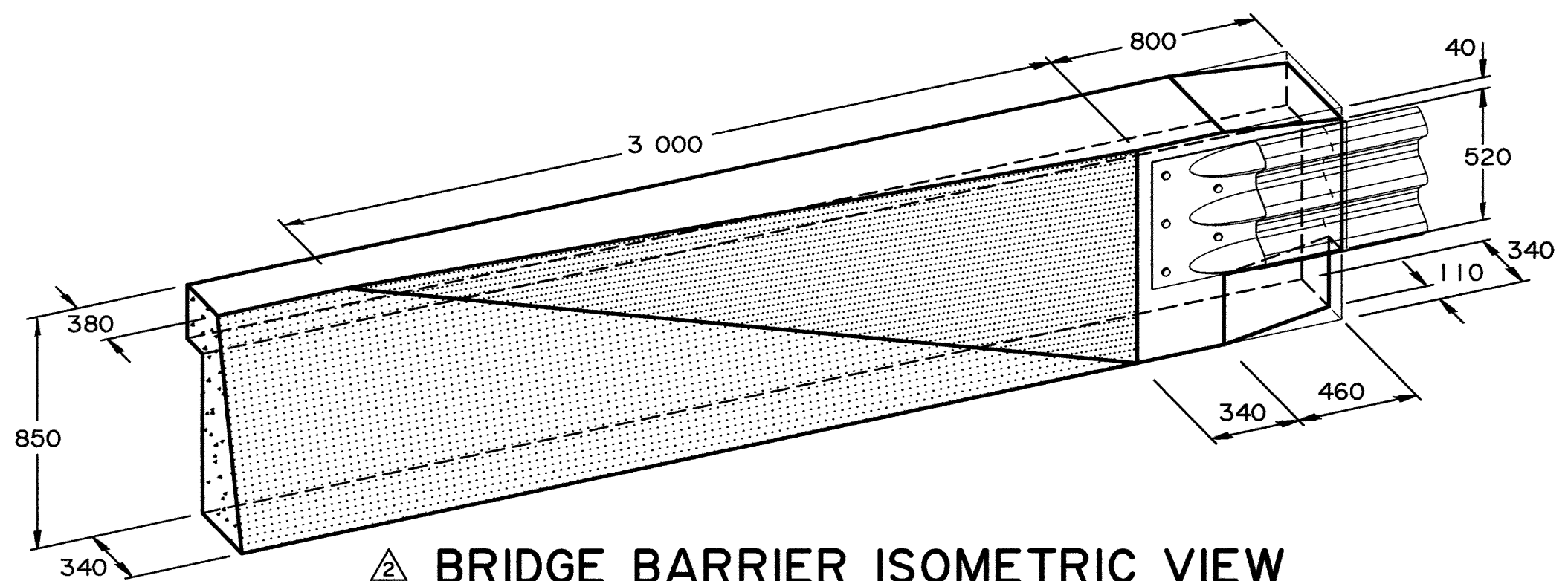
1:20



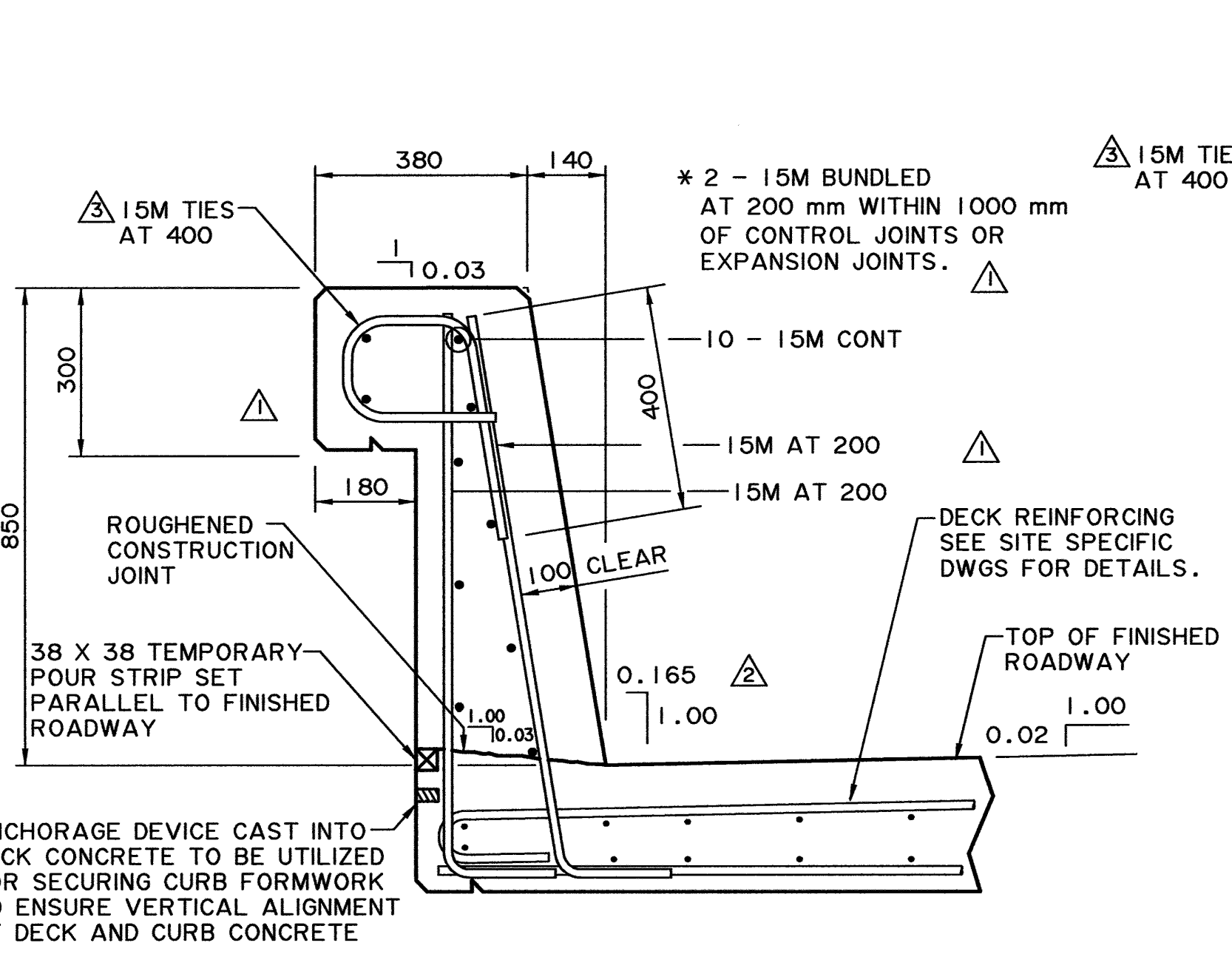
BRIDGE BARRIER END ELEVATION

1:20

FOR CONNECTION TO SINGLE SLOPE CONCRETE ROADSIDE BARRIER & TRANSITION REFER TO DRAWING RD6-B6.14



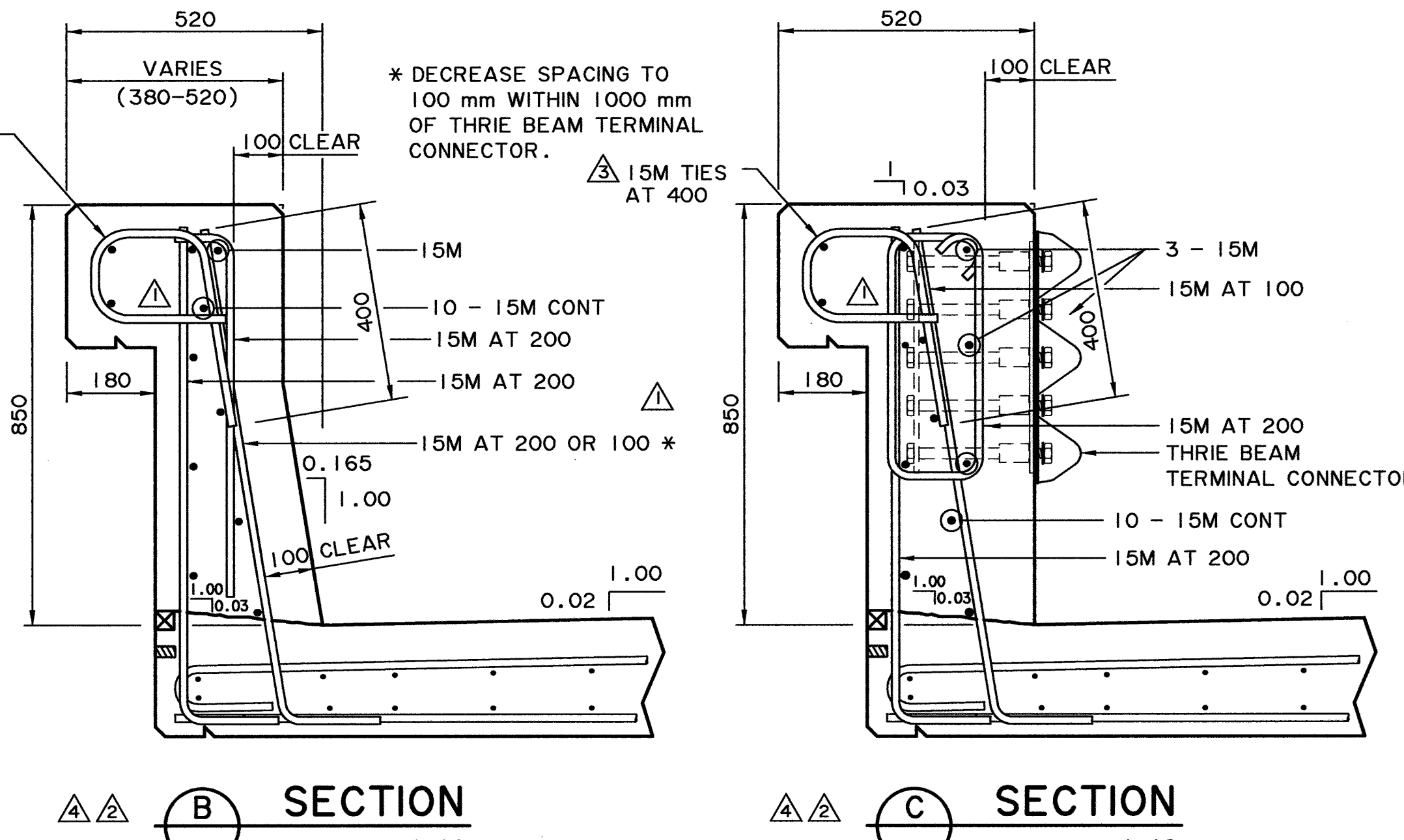
BRIDGE BARRIER ISOMETRIC VIEW



TYPICAL BRIDGE BARRIER SECTION

1:10

NOTE: SEE SECTION 'A' FOR DETAILS NOT SHOWN ON SECTIONS 'B', 'C' AND 'D'.

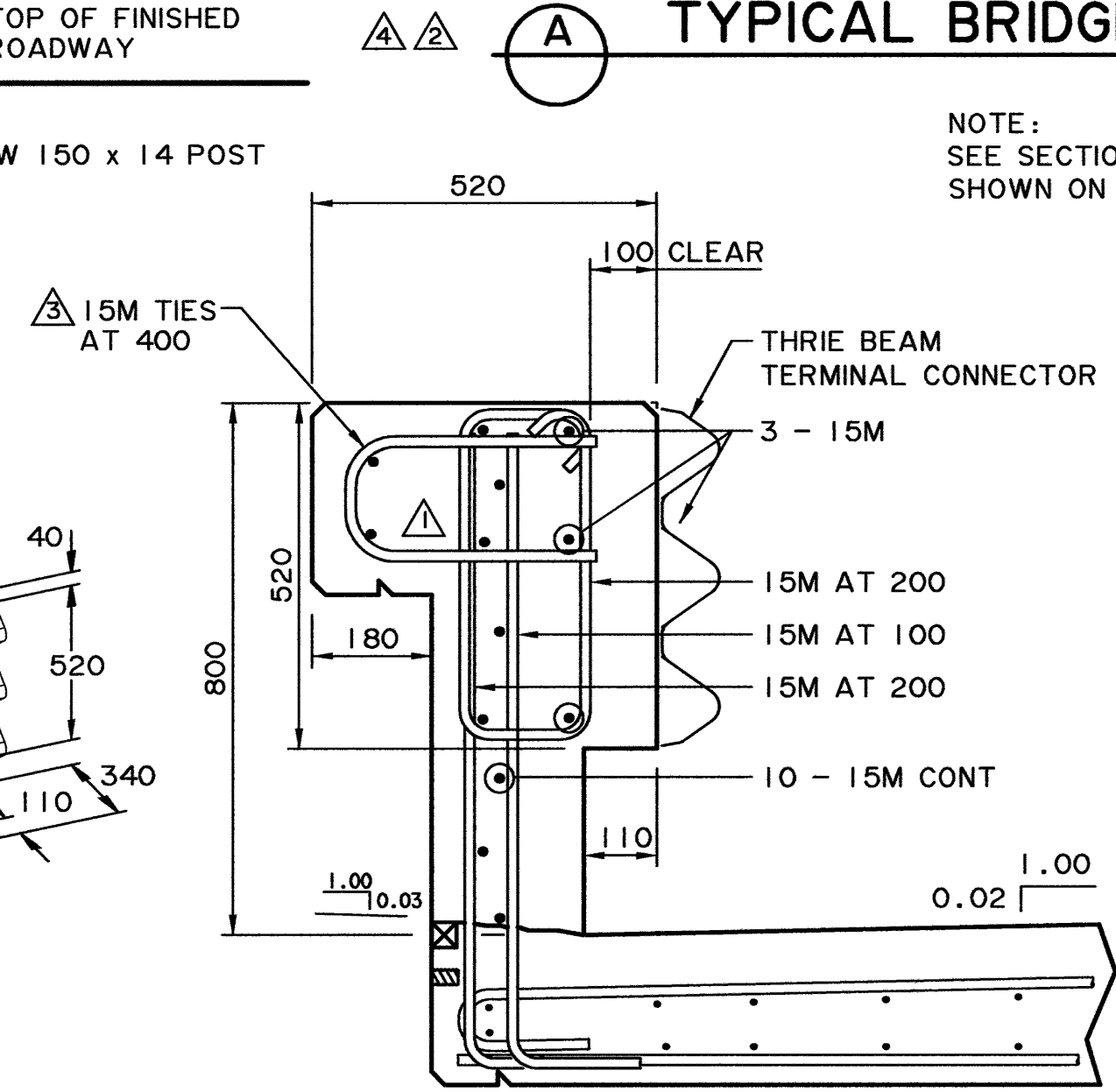


SECTION B

1:10

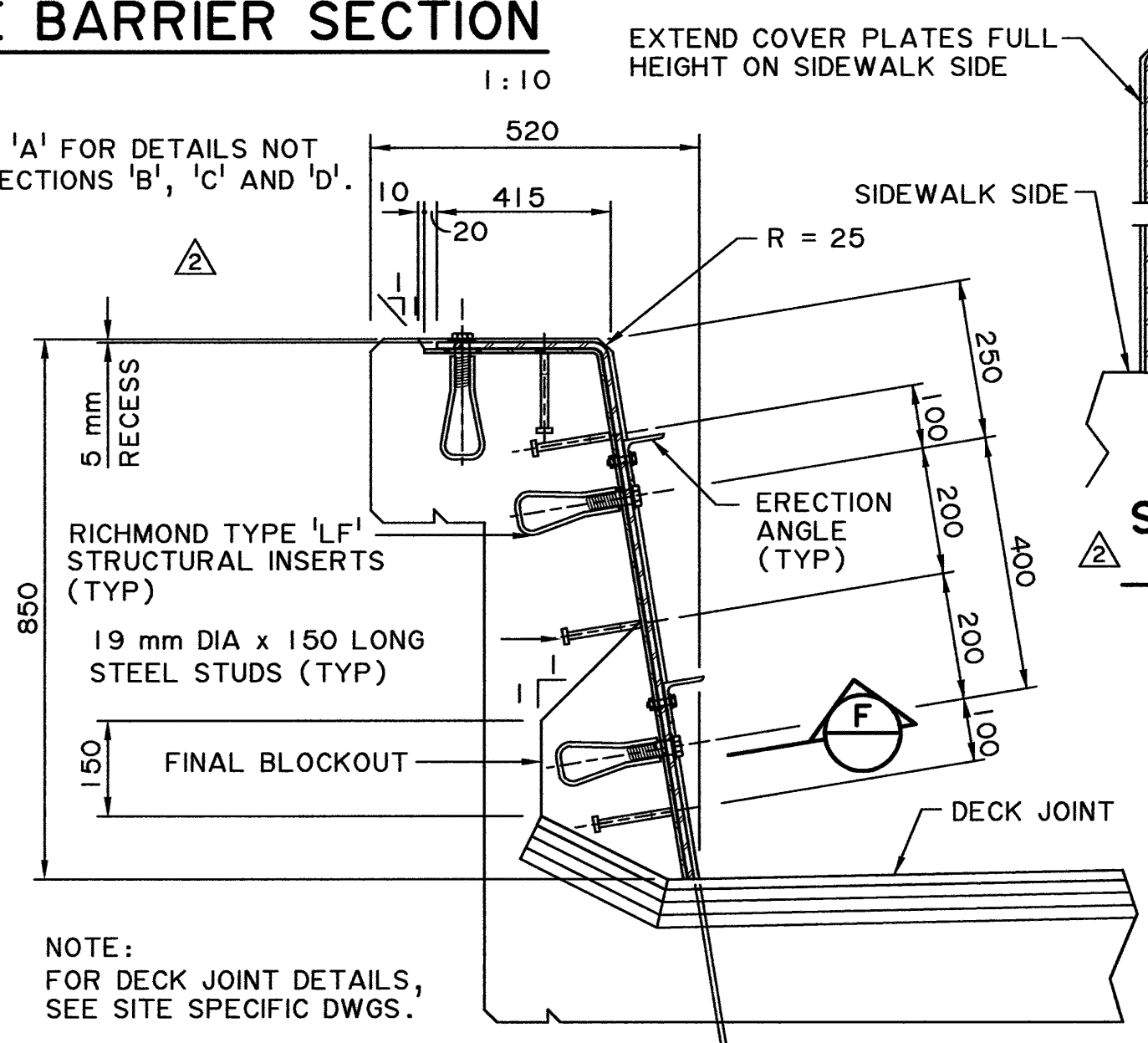
SECTION C

1:10



SECTION A

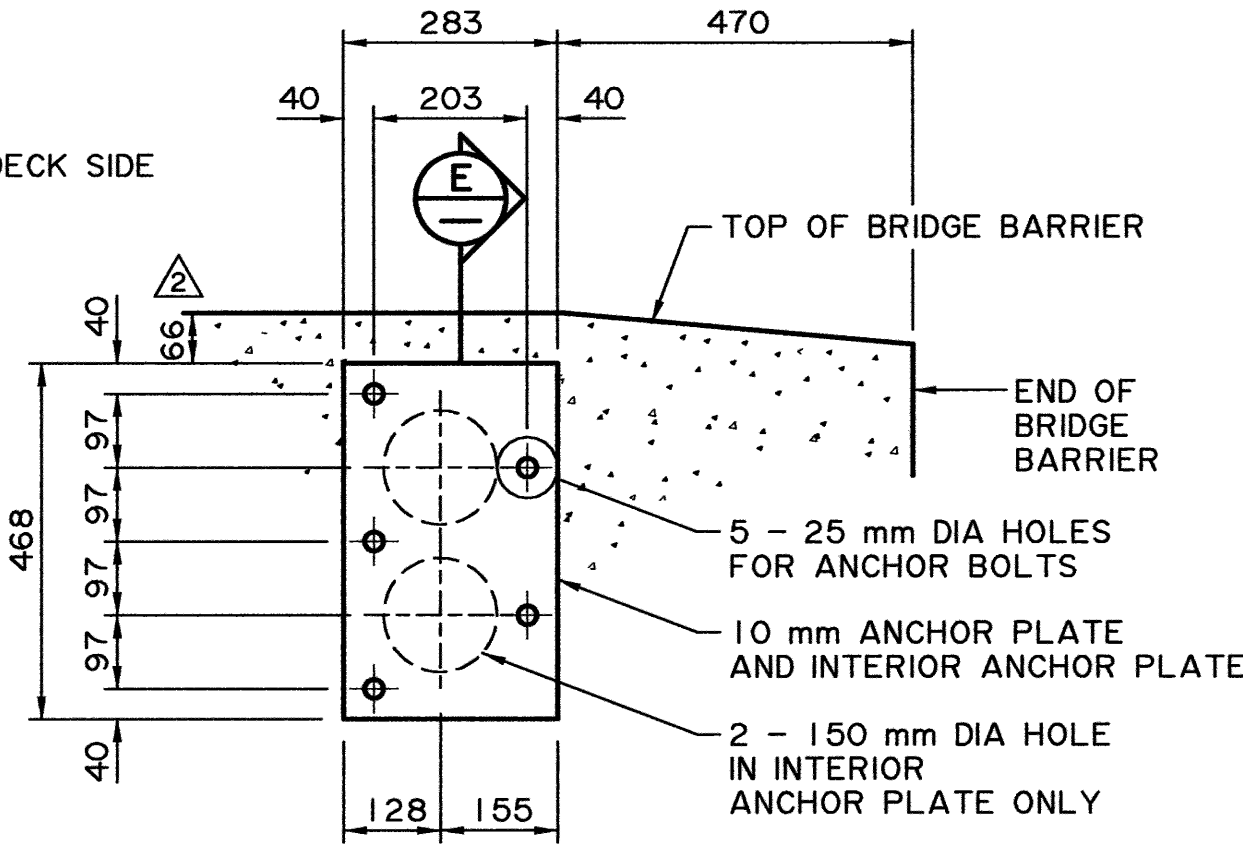
1:10



TYPICAL BRIDGE BARRIER SECTION AT DECK JOINT

1:10

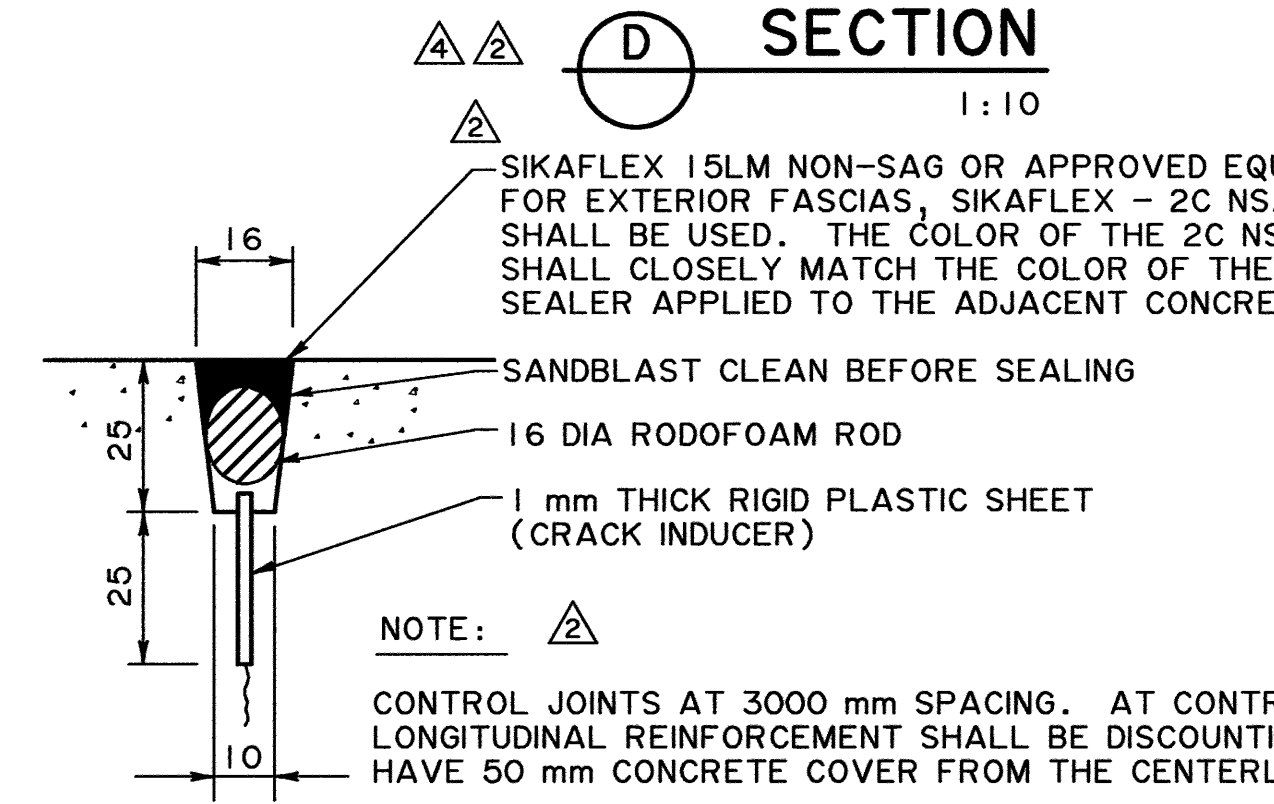
NOTE: FOR DECK JOINT DETAILS, SEE SITE SPECIFIC DWGS.



APPROACH RAIL TRANSITION ANCHORAGE DETAIL

1:10

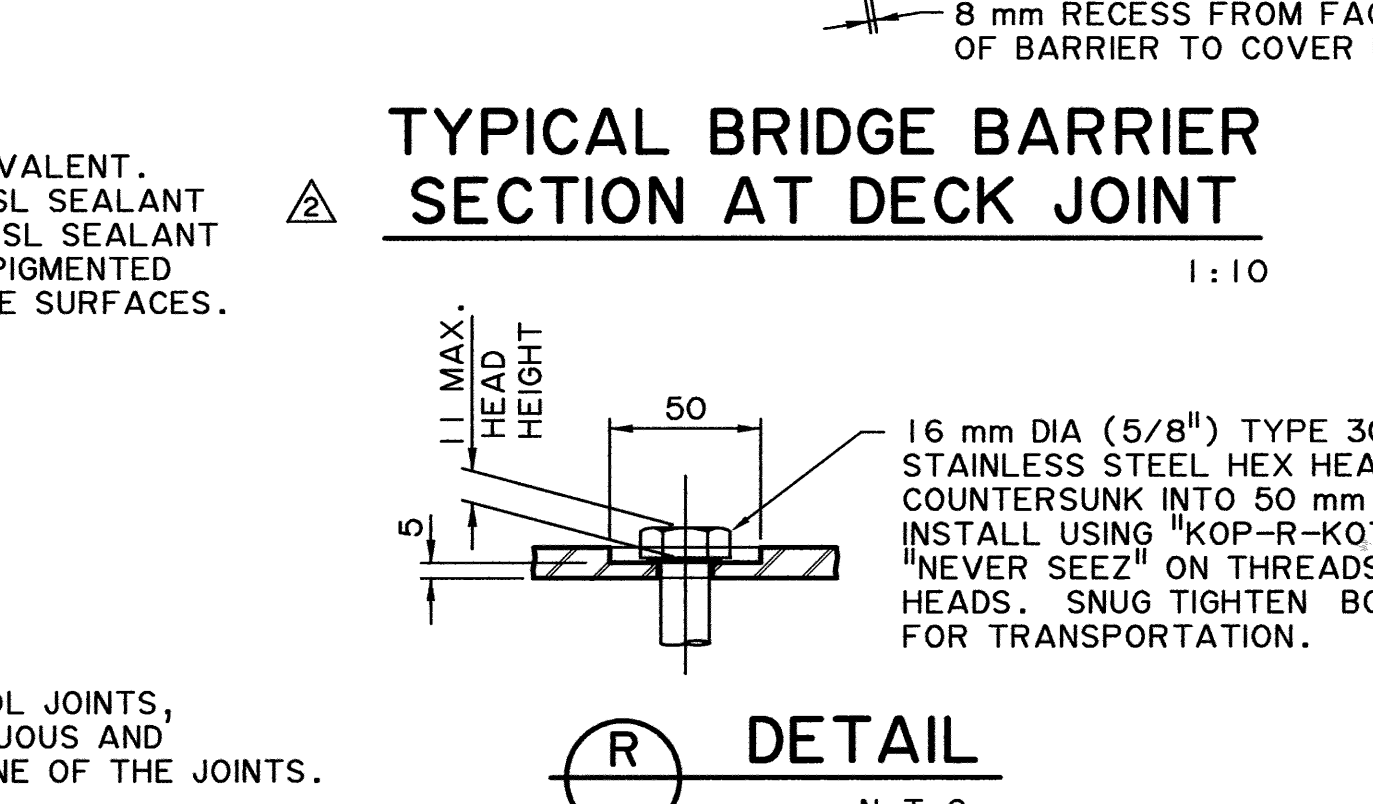
(THRIE BEAM TERMINAL CONNECTOR NOT SHOWN FOR CLARITY.)



CONTROL JOINT DETAIL

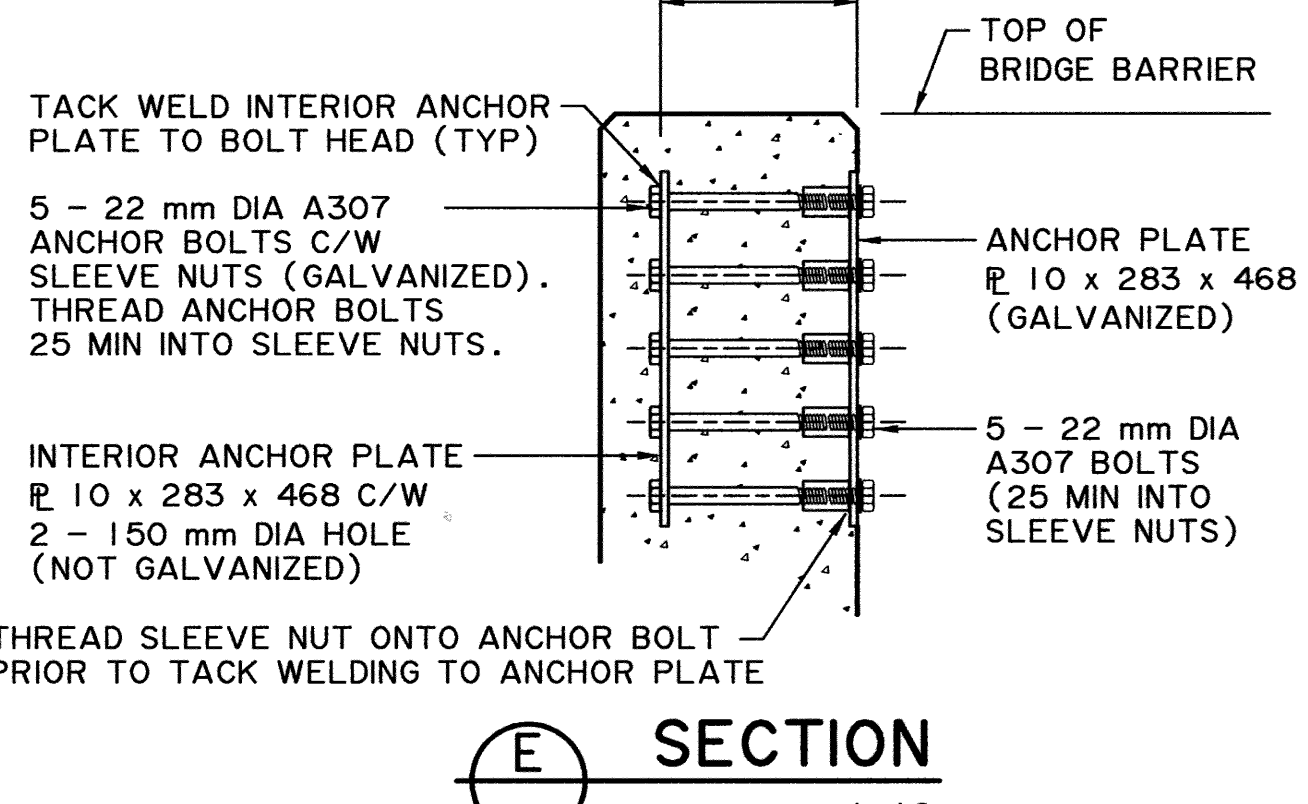
NTS

NOTE: CONTROL JOINTS AT 3000 mm SPACING. AT CONTROL JOINTS, LONGITUDINAL REINFORCEMENT SHALL BE DISCONTINUOUS AND HAVE 50 mm CONCRETE COVER FROM THE CENTERLINE OF THE JOINTS.



DETAIL R

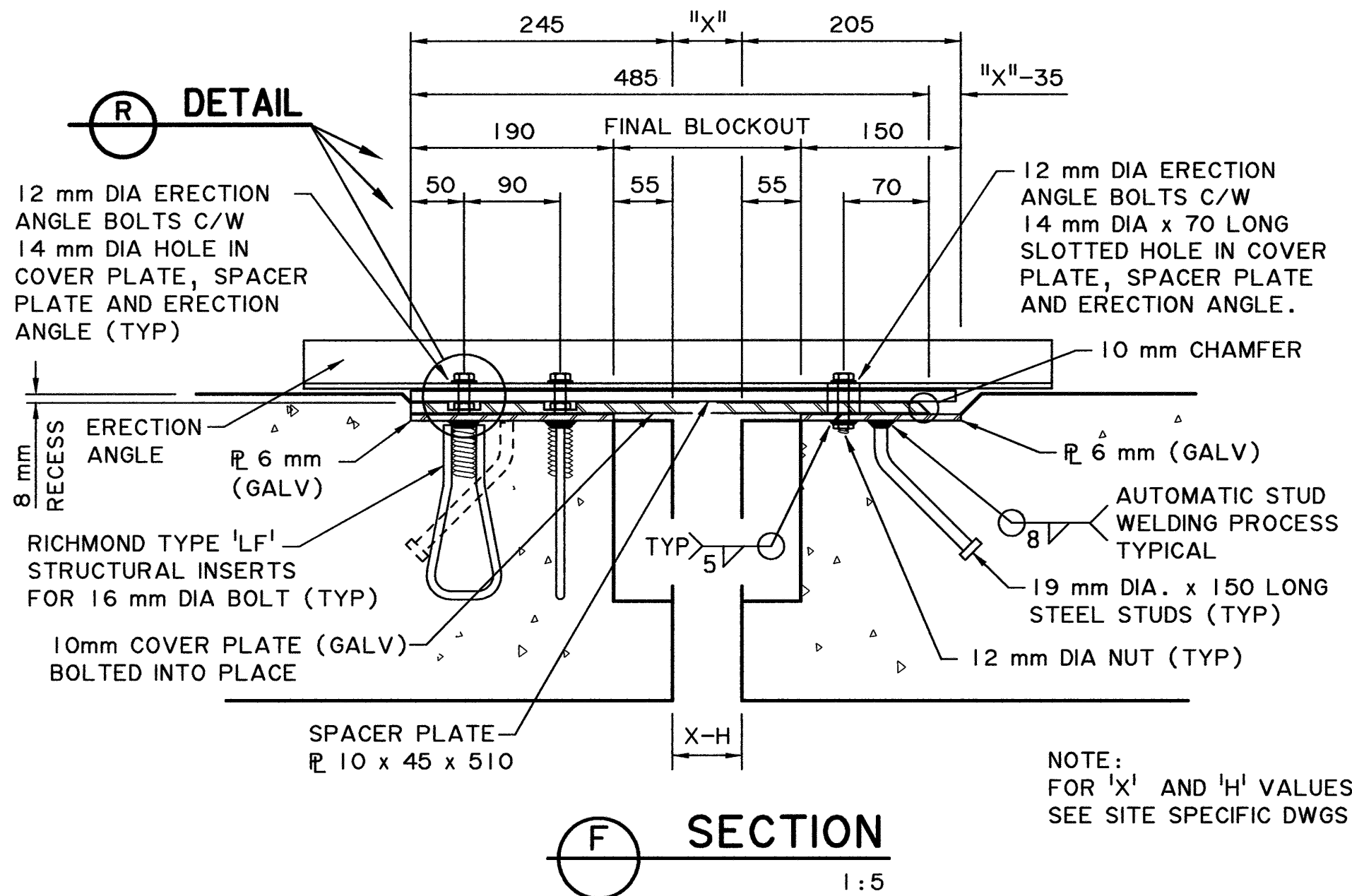
N.T.S.



SECTION E

1:10

WORK THESE DRAWINGS TOGETHER: S-1650-00 AND S-1651-00



SECTION F

1:5

NOTE: FOR 'X' AND 'H' VALUES, SEE SITE SPECIFIC DWGS.

		DESIGNER R. J. RAMSAY NOV 21, 2000	CHECKER D. B. SERINK NOV 21, 2000	RECOMMENDED DIRECTOR BRIDGE ENGINEERING ORIGINAL SIGNED BY REG QUINTON	Alberta INFRASTRUCTURE PL-2 SINGLE SLOPE CONCRETE BRIDGE BARRIER BARRIER DETAILS
PERMIT TO PRACTICE UMA ENGINEERING LTD. PERMIT NUMBER: P 5778 ORIGINAL SIGNED AND STAMPED BY: ART WASHUTA ON: NOVEMBER 21, 2000 The Association of Professional Engineers, Geologists and Geophysicists of Alberta		DATE	DATE	APPROVED EXECUTIVE DIRECTOR TECHNICAL STANDARDS BRANCH ORIGINAL SIGNED BY TIM HAWNIT DATE NOV 22, 2000	
2008-09-18 BRIDGE BARRIER END PLAN & ELEVATION, CONSTRUCTION JOINT	CM	2007-07-30 15M TIE BAR SHAPE	RY	DATE	SHEET 1 of 2
2007-02-14 CONTROL JOINT DETAIL, THRIE BEAM GUARDRAIL HEIGHT, COVER PLATE, WATERSTOP REMOVED	RY	2004-03-01 OPTIONAL BARRIER SHAPE MODIFIED & OPTIONAL PEDESTRIAN RAIL ADDED	RY	DATE	DRAWING S-1650-00
REV	DATE	REVISIONS	BY	DATE	SHEET

S:1650x00.rv5.dgn