

GENERAL NOTES

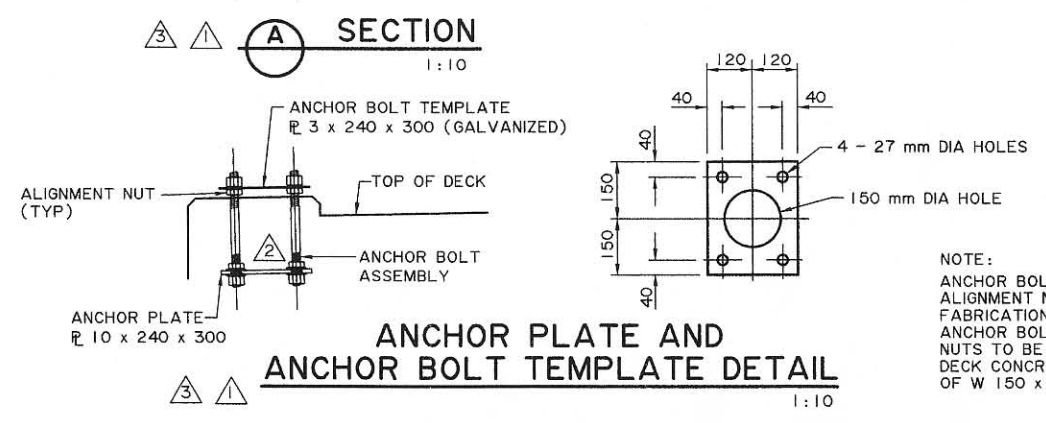
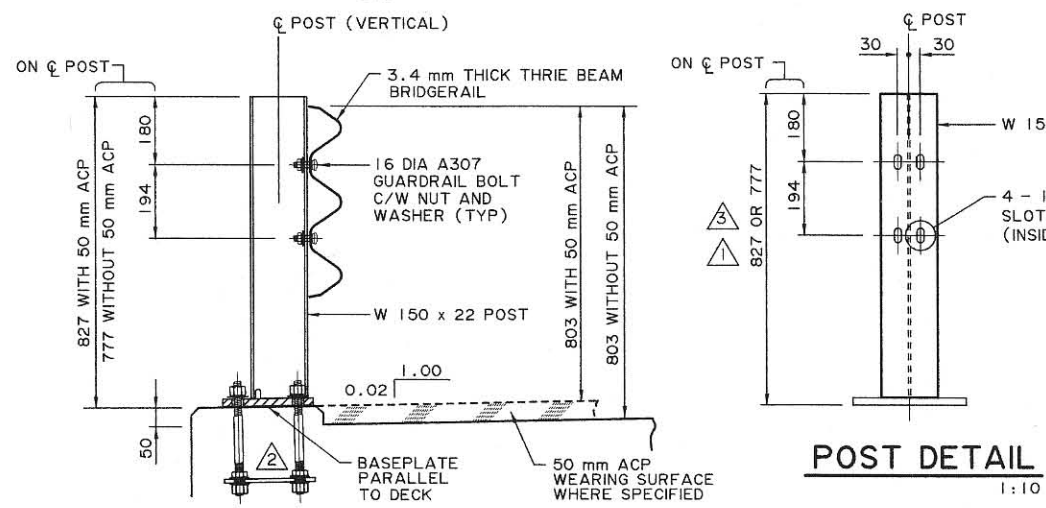
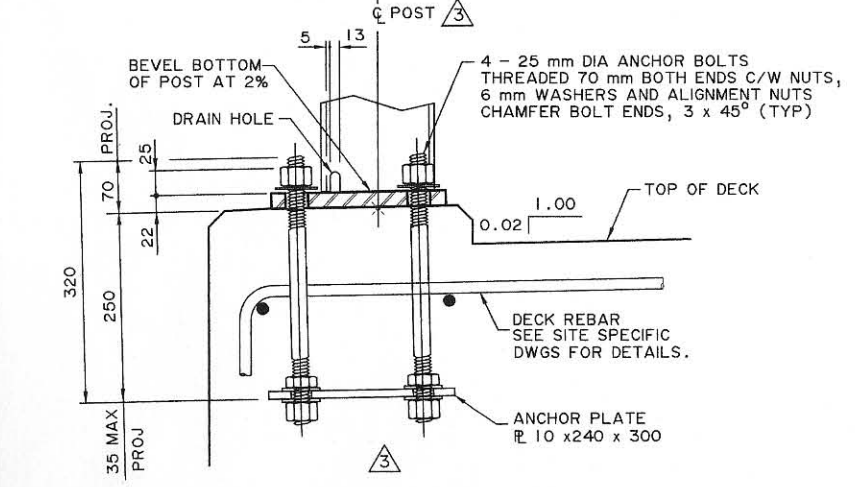
1. ALL DIMENSIONS ARE IN MILLIMETRES UNLESS NOTED OTHERWISE.
2. RAILING CONFIGURATION IS BASED ON A RAILING CONFIGURATION THAT HAS BEEN CRASH TESTED AND MEETS THE REQUIREMENTS OF PERFORMANCE LEVEL 1 OF THE AASHTO GUIDE SPECIFICATIONS FOR BRIDGE RAILING, 1989.
3. RAILING SHALL NOT BE USED WITH CURB.
4. DESIGN OF DECK REBAR SHALL BE CARRIED OUT ON A SITE SPECIFIC BASIS TO DEVELOP THE CAPACITY OF THE BRIDGERAIL POSTS, BASED ON $F_y = 350 \text{ MPa}$.

FABRICATION

1. BRIDGERAIL, INCLUDING APPROACH RAIL TRANSITION, SHALL CONFORM TO THE CURRENT REQUIREMENTS OF THE SPECIFICATIONS FOR BRIDGE CONSTRUCTION SECTION 12 - BRIDGERAIL AND SECTION 14 - GUARDRAIL.
2. ALL PLATE STEEL AND STRUCTURAL SHAPES SHALL CONFORM TO CSA G40.21 GRADE 350W OR ASTM A36.
3. ALL ANCHOR BOLTS SHALL CONFORM TO THE REQUIREMENTS OF ASTM A193 GRADE B7 ($F_y = 725 \text{ MPa}$, $F_u = 860 \text{ MPa}$). ALL NUTS AND WASHERS SHALL CONFORM TO A325. GALVANIZING SHALL STRICTLY FOLLOW THE FOLLOWING PROCEDURE WITH THE PRESENCE OF THE CONSULTANT:
 - BRUSH BLAST ANCHOR BOLTS TO REMOVE MILL SCALE AND OIL AFTER THREADING ENDS.
 - FLASH PICKLING NOT TO EXCEED 5 MINUTES.
 - QUICK DRY PRIOR TO HOT-DIP GALVANIZING (DO NOT STORE IN FLUX OR ACID RINSE).
4. ALL W-BEAM AND THRIE BEAM GUARDRAIL (INCLUDING W-THRIE BEAM TRANSITION SECTION) SHALL HAVE A MINIMUM YIELD STRENGTH OF 345 MPa.
5. TIMBER POSTS AND SPACERS SHALL BE COAST DOUGLAS FIR, PACIFIC COAST HEMLOCK OR LODGEPOLE PINE CONFORMING TO THE STRESS GRADE "SELECT STRUCTURAL POSTS AND TIMBERS" (NLGA PARAGRAPH 131 a).
6. ALL WELDING SHALL CONFORM TO CURRENT AWS SPECIFICATION D1.5.
7. ALL STEEL MATERIALS SHALL BE HOT-DIP GALVANIZED AFTER FABRICATION IN ACCORDANCE WITH CSA G164 UNLESS NOTED OTHERWISE.

ERECTION

1. BRIDGERAIL ANCHOR BOLTS SHALL BE TIGHTENED AN ADDITIONAL 1/2 TURN OF THE NUT PAST THE "SNUG TIGHT" CONDITION.
2. ALL POSTS SHALL BE PERPENDICULAR TO GRADE.
3. ALL DIMENSIONS ARE MEASURED PARALLEL TO TOP OF BRIDGE DECK AND ALONG THE CENTRELINE OF ANCHOR BOLT ASSEMBLIES.
4. LINE AND ELEVATION OF RAIL SHALL HAVE A TOLERANCE OF 6 mm.
5. ALL NON-STANDARD GUARDRAIL LENGTHS SHALL BE SAW CUT TO SUIT AND ALL NON-STANDARD GUARDRAIL HOLES SHALL BE DRILLED. FLAME CUTTING OF GUARDRAIL SHALL NOT BE ALLOWED. APPLY TWO COATS OF ZINC RICH PAINT ON AREAS DAMAGED BY SAW CUTTING OR DRILLING.



NOTE:
ANCHOR BOLT TEMPLATE C/W NUTS AND ALIGNMENT NUTS TO BE INSTALLED DURING FABRICATION OF ANCHOR BOLT ASSEMBLIES. ANCHOR BOLT TEMPLATE AND ALIGNMENT NUTS TO BE REMOVED AFTER PLACING OF DECK CONCRETE AND PRIOR TO INSTALLATION OF W 150 x 22 POST.

PLOTTED 2007-02-14 S-1652-00.RV3

ANCHOR BOLT ASSEMBLY DETAIL
NOTE:
ANCHOR BOLT ASSEMBLY SHALL BE MINIMUM 25 mm CLEAR FROM BOTTOM OF DECK.

<p>UMA Engineering Ltd. Engineers, Planners & Surveyors</p>	<p>PERMIT TO PRACTICE UMA ENGINEERING LTD. PERMIT NUMBER: P 5778 ORIGINAL SIGNED AND STAMPED BY: ART WASHUTA ON: NOVEMBER 21, 2000 <small>The Association of Professional Engineers, Geologists and Geophysicists of Alberta.</small></p>	<p>DESIGNER R. J. RAMSAY ON: NOV 21, 2000</p>	<p>CHECKER D. B. SERINK ON: NOV 21, 2000</p>	<p>RECOMMENDED DIRECTOR BRIDGE ENGINEERING</p>	<p>APPROVED EXECUTIVE DIRECTOR TECHNICAL STANDARDS BRANCH</p>	<p>ORIGINAL SIGNED BY TIM HAWNT</p>
				<p>ORIGINAL SIGNED BY REG QUINTON</p>		
<p>2007-02-14 APPROACH RAIL LENGTH & HEIGHT, ANCHOR BOLT ASSEMBLY DETAIL</p>				RY	<p>DATE NOV 22, 2000</p>	
<p>2004-03-01 POST LENGTH - SECTION B, GENERAL NOTES</p>				RJR	<p>DATE NOV 22, 2000</p>	
<p>01-03-06 CONCRETE PLINTH & BASE PLATE</p>				RJR	<p>DATE NOV 22, 2000</p>	
<p>REV DATE REVISIONS BY</p>				<p>DATE NOV 22, 2000</p>		

Alberta INFRASTRUCTURE

PL-1 THRIE BEAM BRIDGERAIL

DATE 2000-03-27

SHEET OF

DRAWING S-1652-00