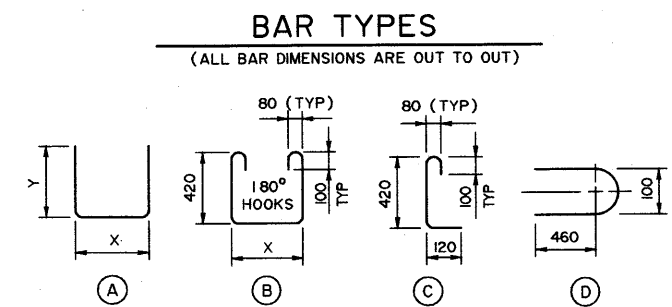


BAR LIST: FOR SQUARE GIRDER							
MARK	SIZE	NO	TYPE	X	Y	LENGTH	MASS
G1001	10	36	A	1 125	300	1 725	49
G1003	10	37	B	1 125		2 220	64
G1004	10	35	B	420		1 520	42
G1006	10	6	D			1 020	5
G1007	10	2	A	1 000	300	1 600	3
G1008	10	5	STR			7 900	31
G1009	10	2	STR			7 800	12
G1025	10	2	C			670	1

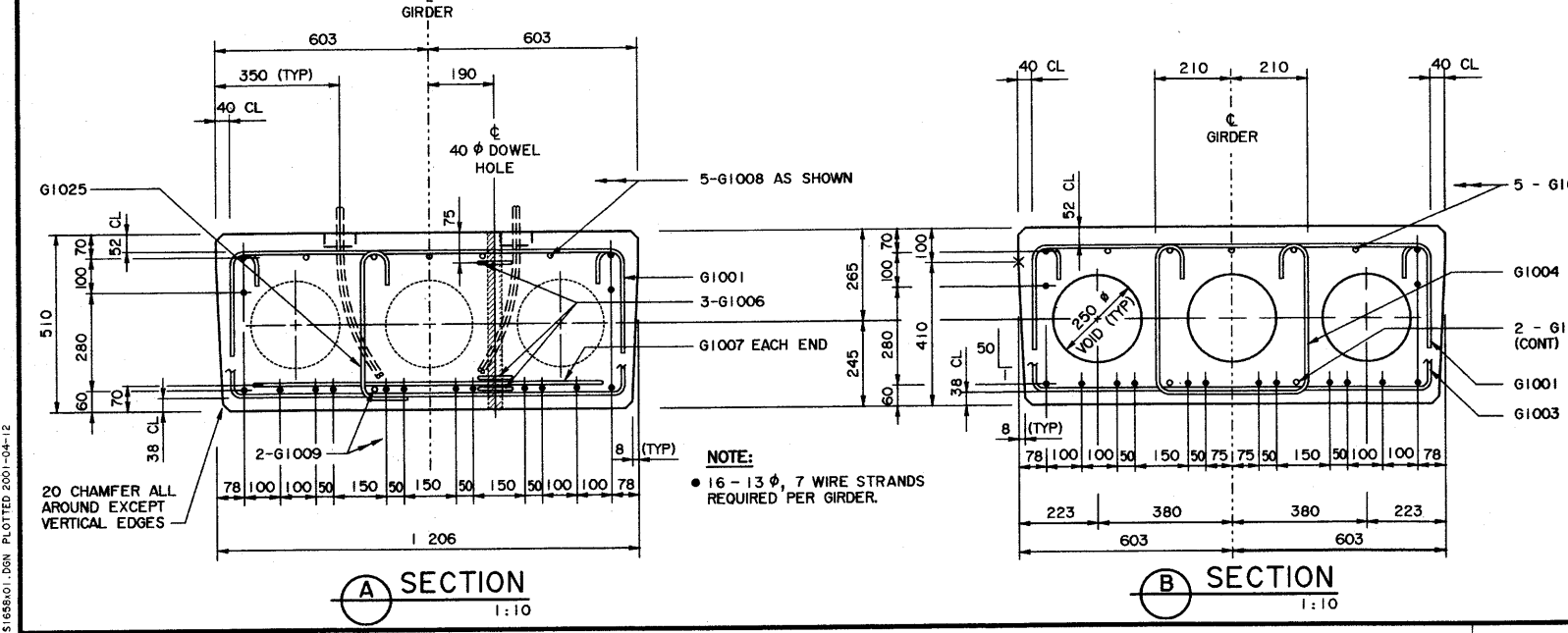
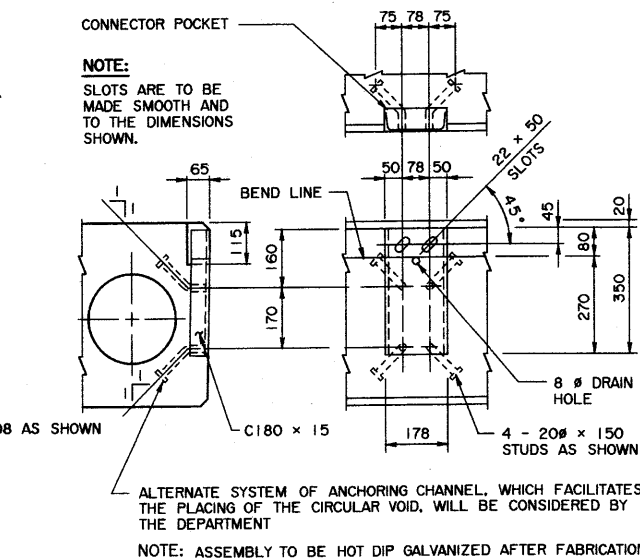
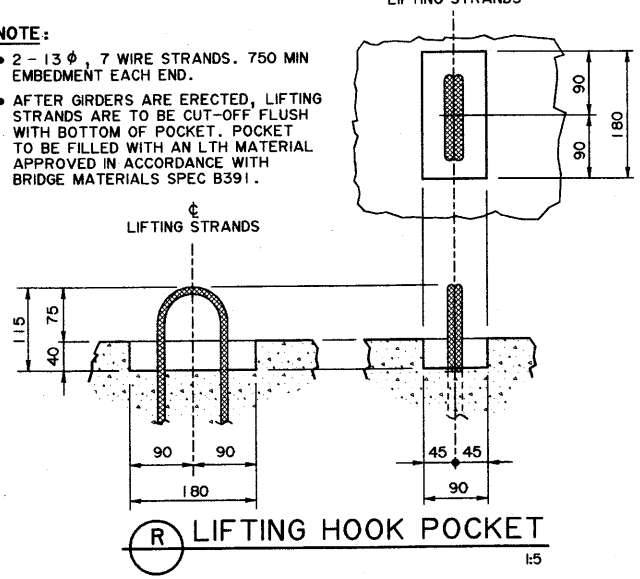
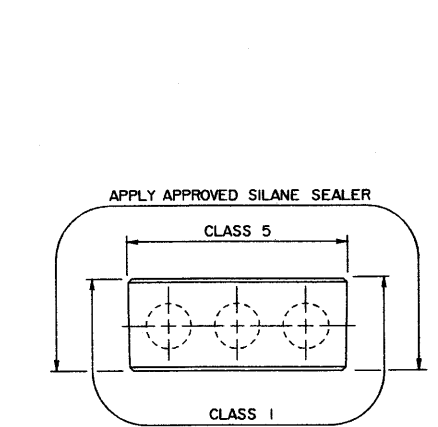
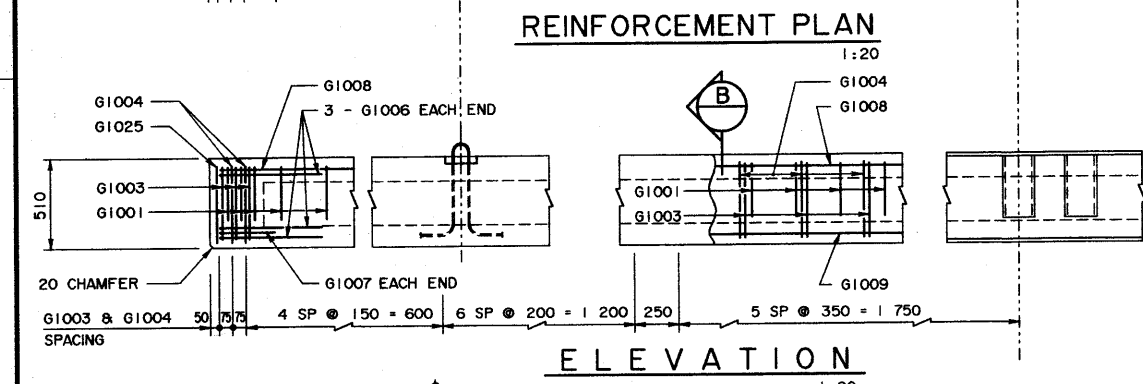
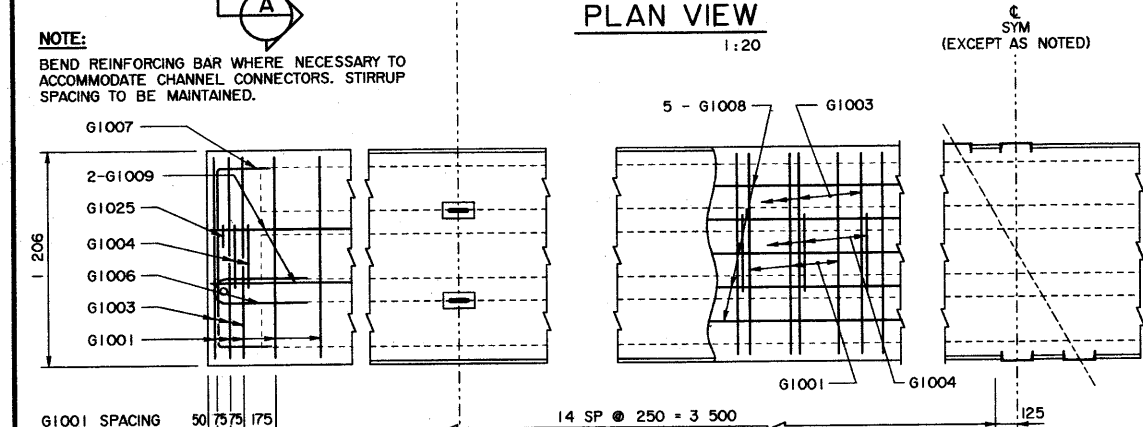
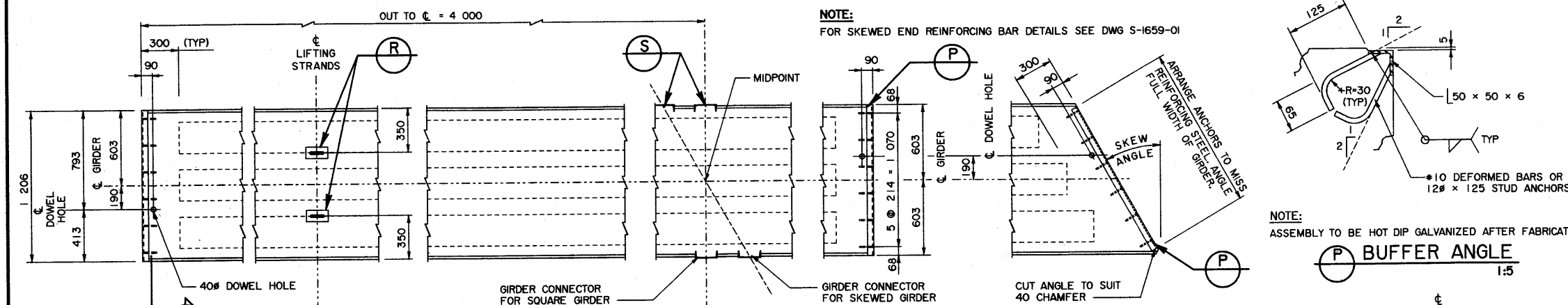
TOTAL kg : 207



- GENERAL NOTES**
- ALL DRAWING REFERENCES ARE TO CURRENT DRAWINGS.
 - DESIGN**
 - CAN/CSA-S6-88 SPECIFICATIONS EXCEPT AS MODIFIED BELOW:
 - ALLOWABLE TENSION AT MIDSPAN IS 40% OF MODULUS OF RUPTURE (SEVERE EXPOSURE CONDITIONS).
 - NO TENSION ALLOWED IN DECK SURFACE.
 - LOADING:**
 - LIVE LOAD - CAN/CSA-S6-88; CS-750 ONE WHEEL LINE PER GIRDER
 - DEAD LOAD - GIRDER = 0.93 t/m
 - WEARING SURFACE = 0.24 t/m

- MATERIALS**
- CONCRETE SHALL CONTAIN SILICA FUME AND BE MADE OF LIGHTWEIGHT COARSE AGGREGATE AND NATURAL SAND FINES. UNIT WEIGHT OF SEMI-LIGHTWEIGHT CONCRETE SHALL BE 1920 kg/m³.
 - 28 DAY CONCRETE STRENGTH - 35 MPa
 - RELEASE STRENGTH - 28 MPa
 - PRESTRESSING STEEL SHALL BE 13 ϕ , 7 WIRE LOW RELAXATION STRAND (f_{pu} = 1860 MPa).
 - REINFORCING STEEL SHALL BE GRADE 400W (YIELD STRENGTH OF GRADE 300 USED IN DESIGN TO ALLOW TACK WELDING OF SHEAR REINFORCEMENT).
- FABRICATION**
- GIRDERS SHALL CONFORM TO THE CURRENT REQUIREMENTS OF THE SPECIFICATIONS FOR BRIDGE CONSTRUCTION SECTION 7 - PRECAST CONCRETE UNITS.
 - FORCE IN PRESTRESSING STEEL:
 - INITIAL TENSIONING LOAD = 129 kN/STRAND
 - DESIGN LOAD AFTER LOSSES = 110 kN/STRAND
 - ALL GALVANIZING SHALL CONFORM TO ASTM SPEC A123.
 - BEND OR SHIFT REINFORCING WHERE REQUIRED TO CLEAR GIRDER CONNECTORS AND LIFTING HOOK ASSEMBLIES. STIRRUP SPACING IS TO BE MAINTAINED.
- ERECTION**
- ANY FREE SPACE BETWEEN CONNECTORS SHALL BE FILLED WITH DROP-IN WASHERS.
 - CALCULATED MASS OF ONE GIRDER IS 7.62 t.

WORK THESE DRAWINGS TOGETHER : S-1658-01 AND S-1659-01



REV	DATE	REVISIONS	BY
DESIGNER		CHECKER	

RECOMMENDED DIRECTOR BRIDGE ENGINEERING

APPROVED EXECUTIVE DIRECTOR TECHNICAL STANDARDS BRANCH

DATE: July 10/01

Alberta TRANSPORTATION

PRESTRESSED CONCRETE
8 m TYPE SC-510
INTERIOR GIRDER

DATE: 2001-04-12 SHEET: 1 of 2 DRAWING: S-1658-01

S1658-01.DWG PLOTTED 2001-04-12