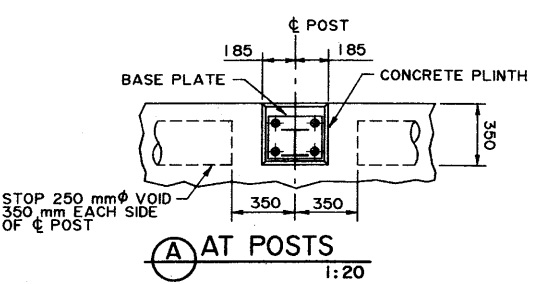
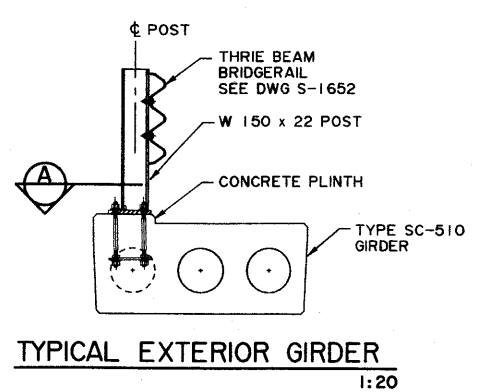
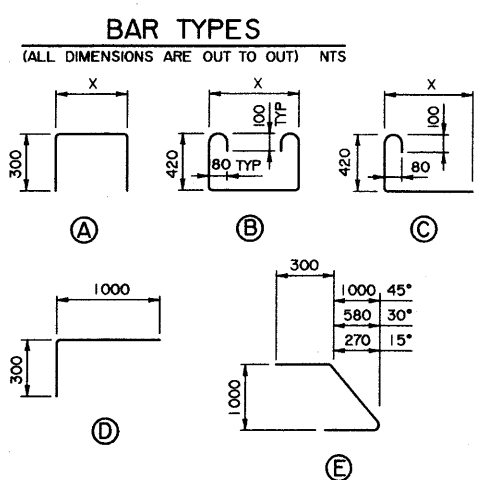
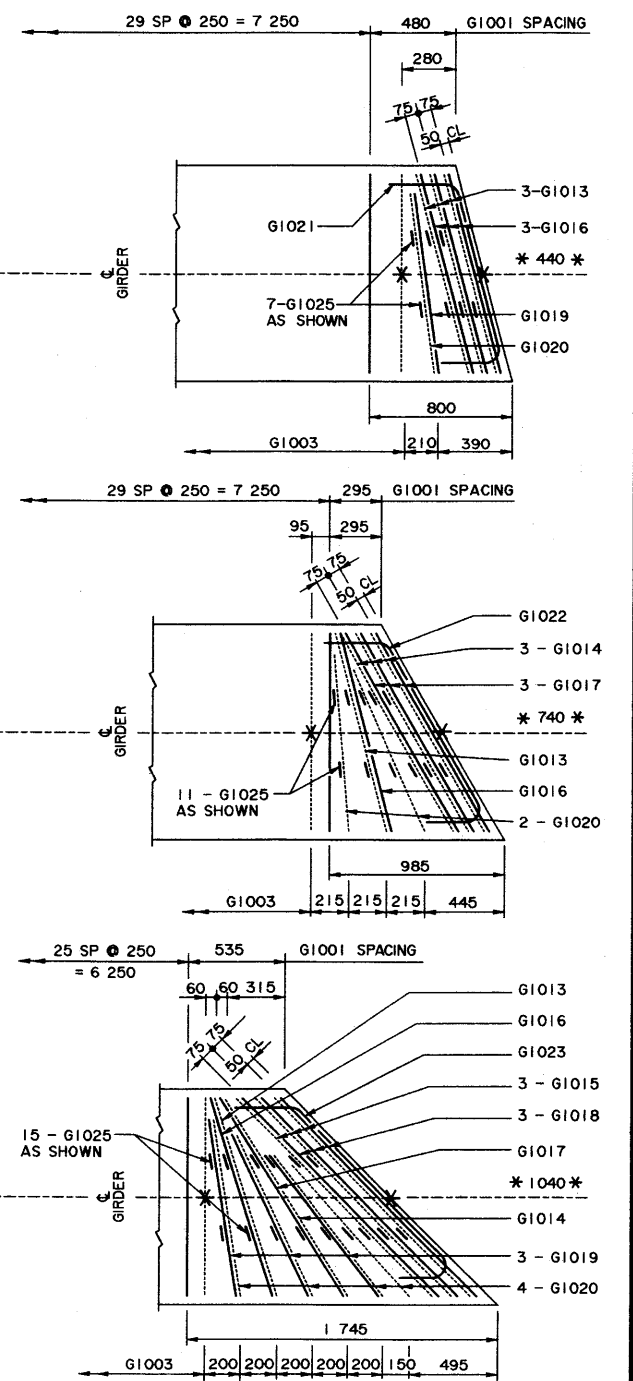


\* NOTE: FOR NUMBER AND SPACING OF ANCHOR BOLTS, SEE BRIDGERAIL LAYOUT ON SITE SPECIFIC DRAWINGS.

BAR LIST: — INTERIOR SKEWED GIRDER — EXTRA BARS FOR 2 ENDS											
MARK	SIZE	TYPE	X	Y	LENGTH	15° SKEW		30° SKEW		45° SKEW	
						NO	MASS	NO	MASS	NO	MASS
G1013	10	B	1165		2 260	6	11	2	4	2	4
G1014	10	B	1300		2 390		6	11	2	4	
G1015	10	B	1590		2 680				6	13	
G1016	10	A	1165		1 765	6	8	2	3	2	3
G1017	10	A	1300		1 900		6	9	2	3	
G1018	10	A	1590		2 190				6	10	
G1019	10	D			1 280	2	2		6	6	
G1020	10	C	1000		1 520	2	2	4	5	8	9
G1021	10	E			1 585	2	2			2	3
G1022	10	E			1 705			2	3		
G1023	10	E			1 965					2	3
G1025	10	C	120		670	14	7	22	12	30	16
TOTAL						kg	32	47	71		



**NOTE:**  
 • SHIFT SLAB BARS TO CLEAR LIFTING HOOK POCKETS WHERE REQUIRED.  
 • SLAB BARS NOT DIMENSIONED ARE TIGHT AGAINST ADJACENT STIRRUP.  
 • USE THIS  $\phi$  DIMENSION TO IDENTIFY THIS STIRRUP (\*) IN THE STIRRUP SERIES FOR A SQUARE ENDED UNIT.



**INTERIOR GIRDER REINFORCING BARS**  
 • SKEWS ARE SHOWN RIGHT HAND FORWARD.  
 • LEFT HAND SKEWS ARE OPPOSITE AS SHOWN.

• WORK THESE DRAWINGS TOGETHER : S-1666-01 AND S-1667-01

REV	DATE	REVISIONS	BY
DESIGNER		CHECKER	

RECOMMENDED  
 DIRECTOR BRIDGE ENGINEERING  
 APPROVED  
 EXECUTIVE DIRECTOR  
 TECHNICAL STANDARDS BRANCH

**Alberta TRANSPORTATION**

**PRESTRESSED CONCRETE**  
**8.53 m TYPE SC-510**  
**INTERIOR AND EXTERIOR GIRDER LAYOUTS**

DATE: 2001-04-30  
 SHEET: 2 of 2  
 DRAWING: S-1667-01

S-1667-01.dwg PLOTTED 2001-04-30