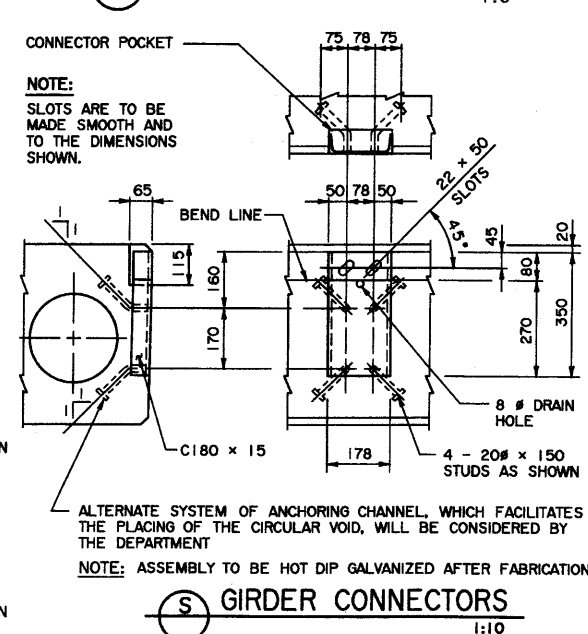
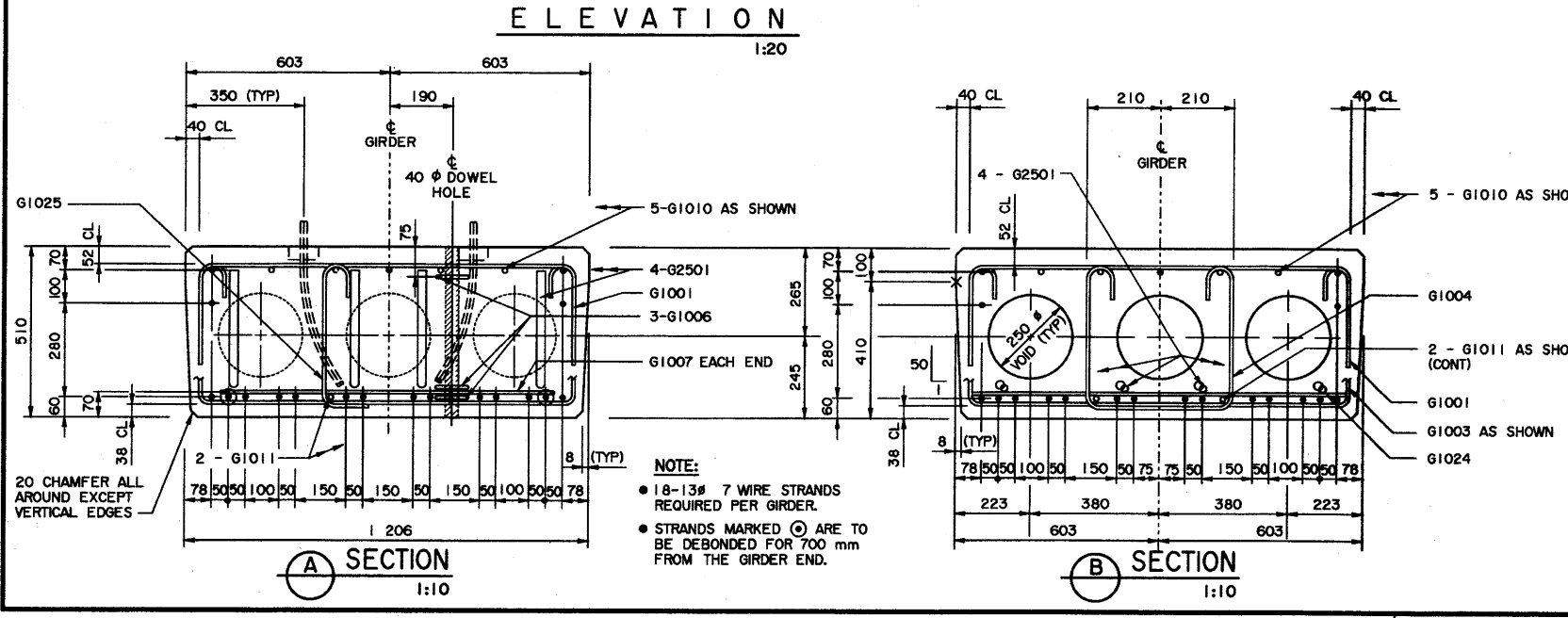
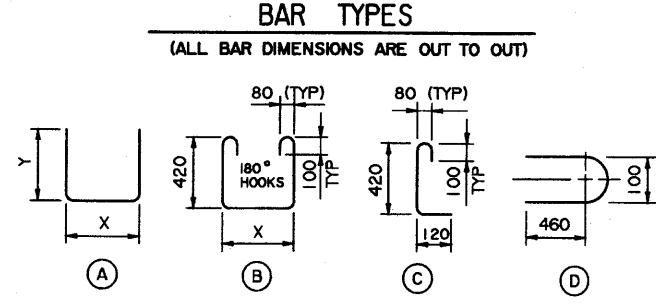
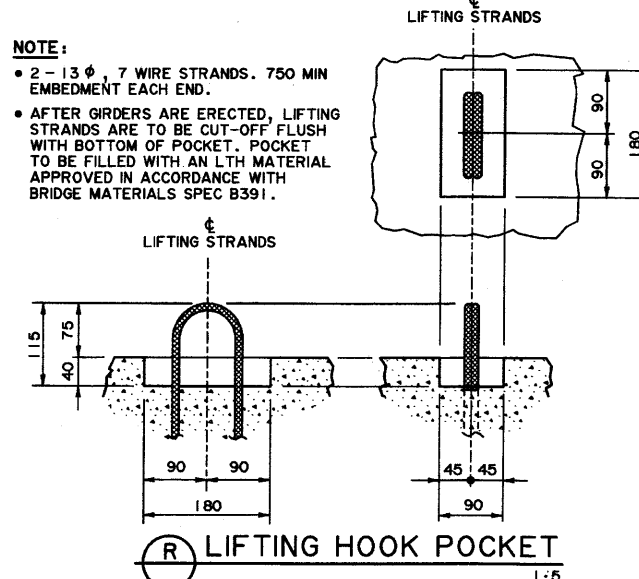
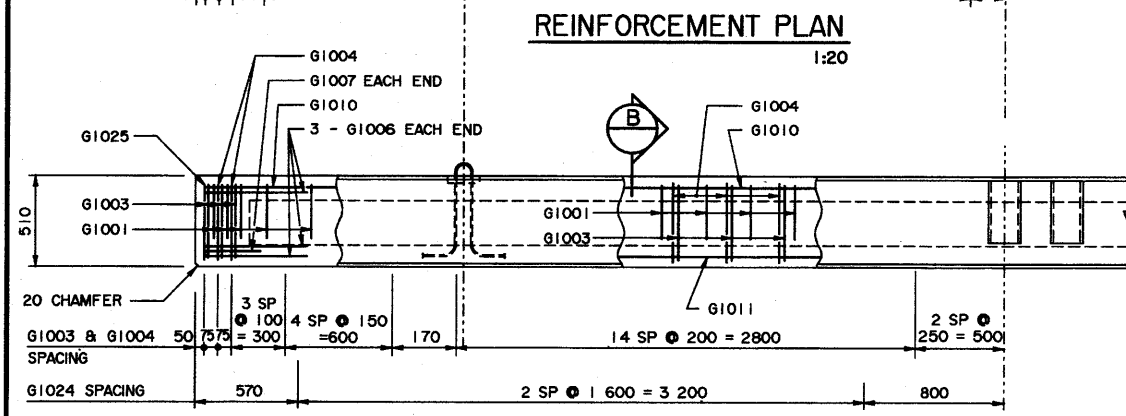
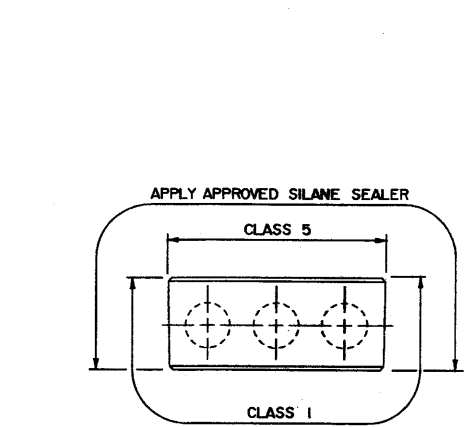
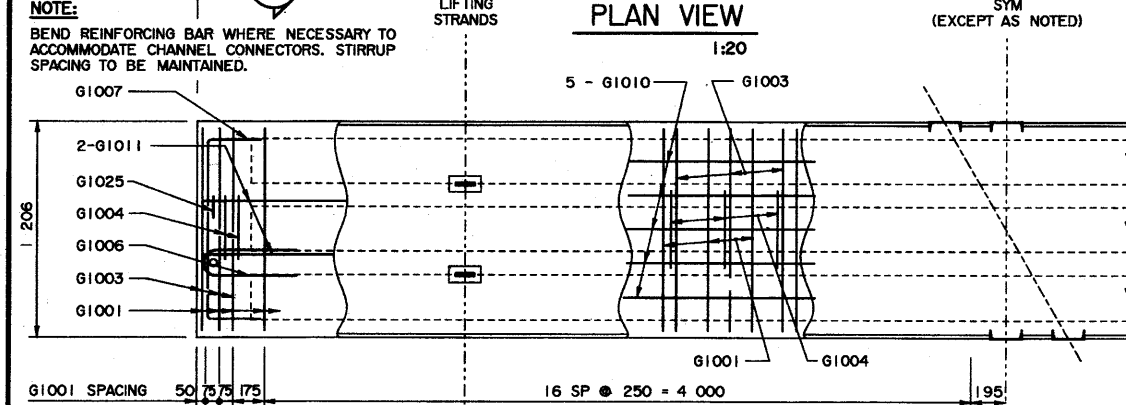


BAR LIST: FOR SQUARE GIRDER							
MARK	SIZE	NO	TYPE	X	Y	LENGTH	MASS
G1001	10	41	A	1 125	300	1 725	56
G1003	10	53	B	1 125		2 220	92
G1004	10	51	B	420		1 520	61
G1006	10	6	D			1 080	5
G1007	10	2	A	1 000	300	1 600	3
G1010	10	5	STR			9 050	36
G1011	10	2	STR			8 950	14
G1024	10	6	STR			1 100	5
G1025	10	2	C			670	1
G2501	25	4	A	9 000	350	9 700	152
TOTAL kg :							425



- GENERAL NOTES**
- ALL DRAWING REFERENCES ARE TO CURRENT DRAWINGS.
 - DESIGN**
 - CAN/CSA-S6-88 SPECIFICATIONS EXCEPT AS MODIFIED BELOW:
 - ALLOWABLE TENSION AT MIDSPAN IS 40% OF MODULUS OF RUPTURE (SEVERE EXPOSURE CONDITIONS).
 - NO TENSION ALLOWED IN DECK SURFACE.
 - LOADING:**
 - LIVE LOAD - CAN/CSA-S6-88; CS-750 ONE WHEEL LINE PER GIRDER
 - DEAD LOAD - GIRDER = 0.93t/m
 - WEARING SURFACE = 0.24t/m
 - MATERIALS**
 - CONCRETE SHALL CONTAIN SILICA FUME AND BE MADE OF LIGHTWEIGHT COARSE AGGREGATE AND NATURAL SAND FINES. UNIT WEIGHT OF SEMI-LIGHTWEIGHT CONCRETE SHALL BE 1920 kg/m³.
 - 28 DAY CONCRETE STRENGTH - 35 MPa
 - RELEASE STRENGTH - 28 MPa
 - PRESTRESSING STEEL SHALL BE 13 # 7 WIRE LOW RELAXATION STRAND (f_{pu} = 1 860 MPa).
 - REINFORCING STEEL SHALL BE GRADE 400W (YIELD STRENGTH OF GRADE 300 USED IN DESIGN TO ALLOW TACK WELDING OF SHEAR REINFORCEMENT).
 - FABRICATION**
 - GIRDERS SHALL CONFORM TO THE CURRENT REQUIREMENTS OF THE SPECIFICATIONS FOR BRIDGE CONSTRUCTION SECTION 7 - PRECAST CONCRETE UNITS.
 - FORCE IN PRESTRESSING STEEL:
 - INITIAL TENSIONING LOAD = 129 kN/STRAND
 - DESIGN LOAD AFTER LOSSES = 106 kN/STRAND
 - ALL GALVANIZING SHALL CONFORM TO ASTM SPEC A123.
 - BEND OR SHIFT REINFORCING WHERE REQUIRED TO CLEAR GIRDER CONNECTORS AND LIFTING HOOK ASSEMBLIES. STIRRUP SPACING IS TO BE MAINTAINED. FOR CONNECTOR AND LIFTING HOOK LOCATIONS SEE DWG S-1669-01
 - ERECTION**
 - ANY FREE SPACE BETWEEN CONNECTORS SHALL BE FILLED WITH DROP-IN WASHERS.
 - CALCULATED MASS OF ONE GIRDER IS 8.70 t.
- WORK THESE DRAWINGS TOGETHER : S-1668-01 AND S-1669-01

DESIGNER		CHECKER		DATE	
APPROVED		APPROVED		DATE	
REVISIONS		BY		DATE	
DATE		BY		DATE	

RECOMMENDED DIRECTOR BRIDGE ENGINEERING

APPROVED EXECUTIVE DIRECTOR TECHNICAL STANDARDS BRANCH

Albarta TRANSPORTATION

PRESTRESSED CONCRETE 9.14 m TYPE SC-510 INTERIOR GIRDER

DATE 2001-04-30 SHEET 1 of 2 DRAWING S-1668-01