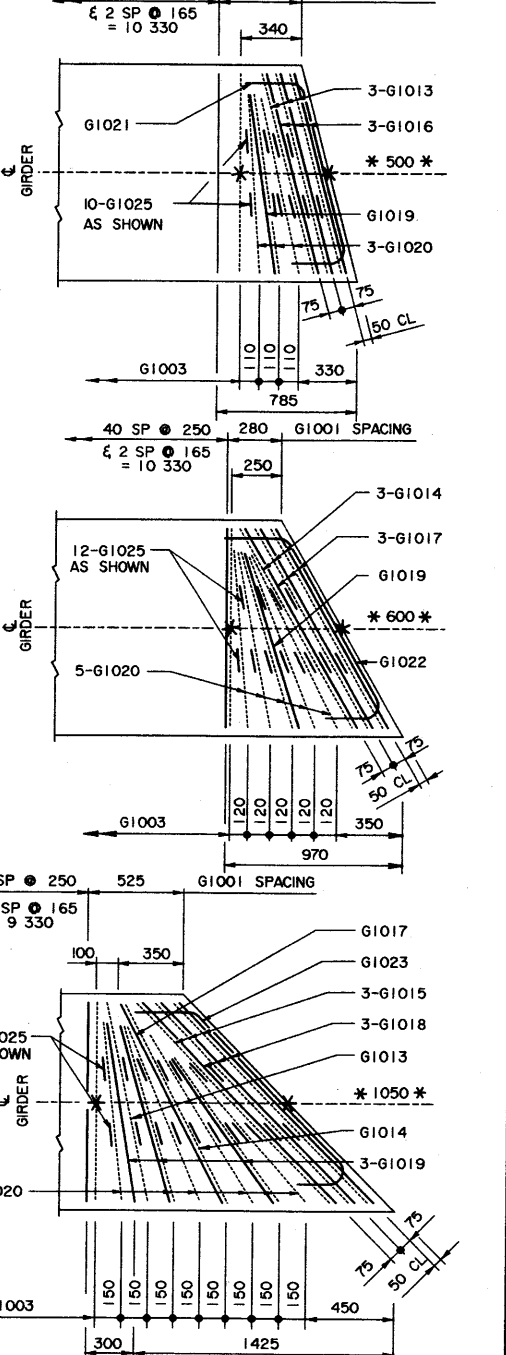


NOTE:

- SHIFT SLAB BARS TO CLEAR LIFTING HOOK POCKETS WHERE REQUIRED.
- SLAB BARS NOT DIMENSIONED ARE TIGHT AGAINST ADJACENT STIRRUP.
- USE THIS ϕ DIMENSION TO IDENTIFY THIS STIRRUP (*) IN THE STIRRUP SERIES FOR A SQUARE ENDED UNIT.



INTERIOR GIRDER REINFORCING BARS

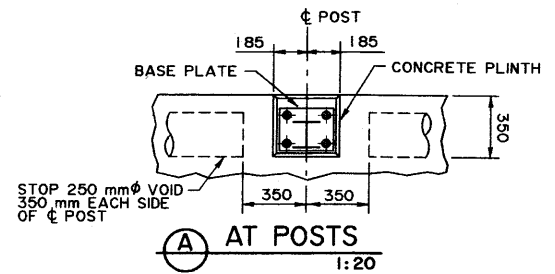
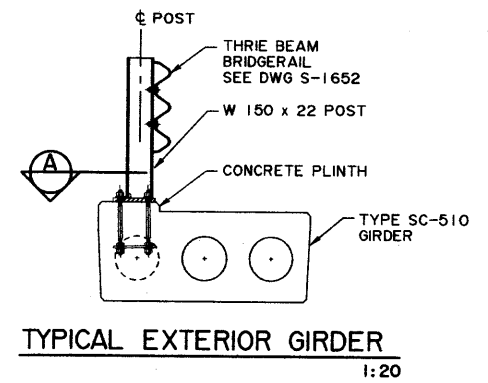
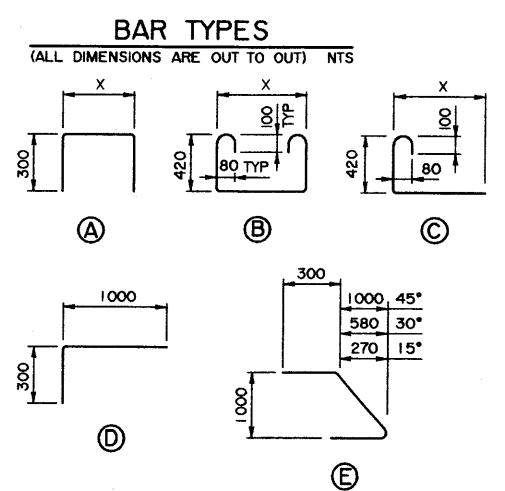
- SKEWS ARE SHOWN RIGHT HAND FORWARD.
- LEFT HAND SKEWS ARE OPPOSITE AS SHOWN.

WORK THESE DRAWINGS TOGETHER : S-1674-01 AND S-1675-01

* NOTE: FOR NUMBER AND SPACING OF ANCHOR BOLTS, SEE BRIDGERAIL LAYOUT ON SITE SPECIFIC DRAWINGS.

BAR LIST: — INTERIOR SKEWED GIRDER — EXTRA BARS FOR 2 ENDS

MARK	SIZE	TYPE	X	Y	LENGTH	15° SKEW		30° SKEW		45° SKEW	
						NO	MASS	NO	MASS	NO	MASS
G1013	10	B	1 165		2 260	6	11			2	4
G1014	10	B	1 300		2 390			6	11	2	4
G1015	10	B	1 590		2 680					6	13
G1016	10	A	1 165		1 765	6	8				
G1017	10	A	1 300		1 900			6	9	2	3
G1018	10	A	1 590		2 190					6	10
G1019	10	D			1 280	2	2	2	2	6	6
G1020	10	C	1 000		1 520	6	7	10	12	12	14
G1021	10	E			1 585	2	2				
G1022	10	E			1 705			2	3		
G1023	10	E			1 965					2	3
G1025	10	C	120		670	20	11	24	13	36	19
TOTAL						kg	41	50	76		



REV	DATE	REVISIONS	BY
DESIGNER		CHECKER	

RECOMMENDED
DIRECTOR BRIDGE ENGINEERING

APPROVED
EXECUTIVE DIRECTOR
TECHNICAL STANDARDS BRANCH

DATE: July 10/91

Alberta TRANSPORTATION

PRESTRESSED CONCRETE
11.58 m TYPE SC-510
INTERIOR AND EXTERIOR GIRDER LAYOUTS

DATE: 2001-04-30 SHEET: 2 of 2 DRAWING: S-1675-01

S:1675-01.DWG PLOTTED 2001-04-30