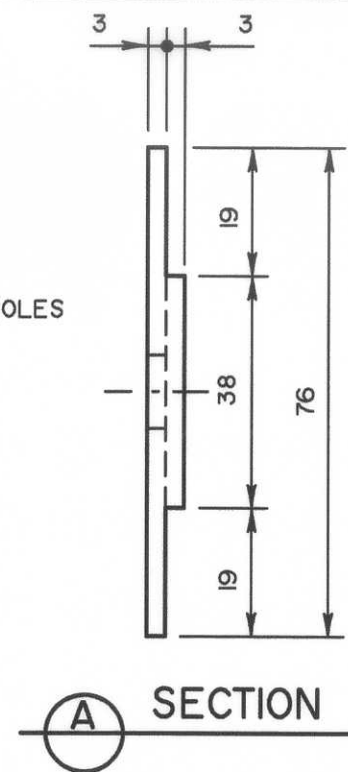
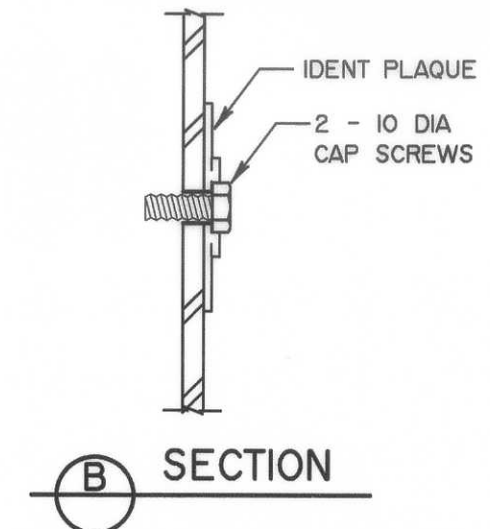


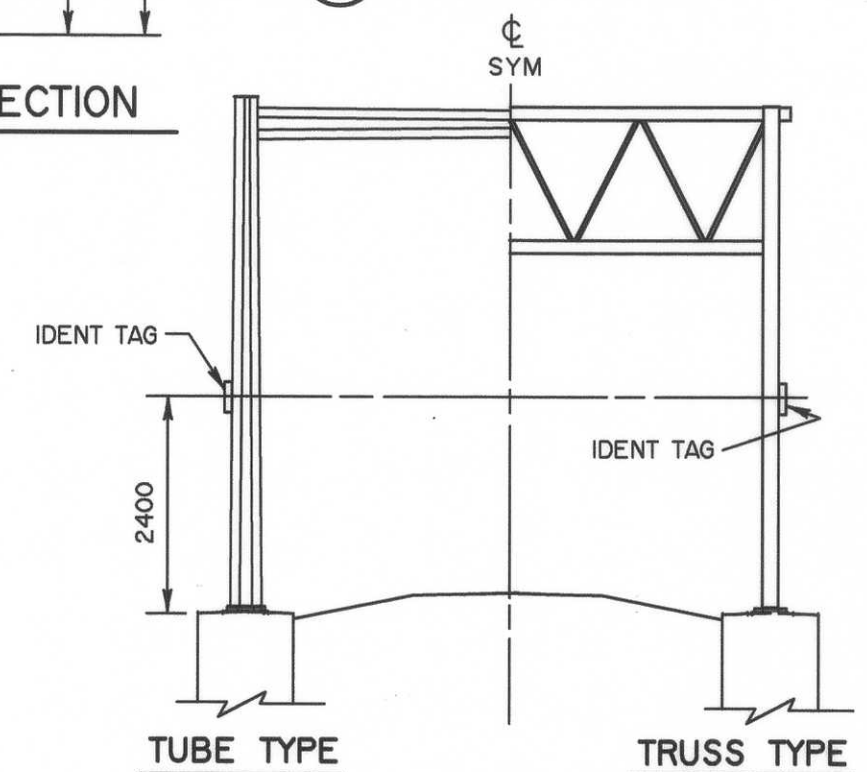
IDENT PLAQUE



SECTION A



SECTION B



TUBE TYPE

TRUSS TYPE

PLAQUE PLACEMENT

GENERAL NOTES

- DIMENSIONS ARE GIVEN IN mm. DETAILS ARE NOT TO SCALE. DIMENSIONS ARE TYPICAL UNLESS SHOWN OTHERWISE.
- THE A-IDENT NUMBER IS TO BE OBTAINED FROM TECHNICAL STANDARDS BRANCH, BRIDGE ENGINEERING SECTION.
- PLAQUES SHALL BE CAST ALUMINUM. ALL SURFACES SHALL BE COVERED WITH BLACK BAKED ENAMEL EXCEPT FOR THE FULL FRONT BORDER & THE NUMERALS & LETTERS WHICH SHALL BE EXPOSED ALUMINUM.
- THE CONTRACTOR SHALL SUPPLY AND INSTALL AN IDENTIFICATION TAG ON ONE COLUMN OF EACH STRUCTURE AT 2.4 m ABOVE BASE PLATE. THE COLUMN SHALL BE DRILLED AND TAPPED FOR 2 - 10 mm DIAMETER CAP SCREWS.

				Alberta TRANSPORTATION TECHNICAL STANDARDS BRANCH			
				SIGN STRUCTURE STEEL IDENTIFICATION PLAQUE			
NO	DATE	REVISIONS	BY				
DESIGNED RY	DRAWN HW	DATE 2004-05-21	APPROVED EXECUTIVE DIRECTOR	SIGNATURE <i>Allan Axman</i>	DATE <i>May 26, 2004</i>	PAGE	DRAWING S-1682-04