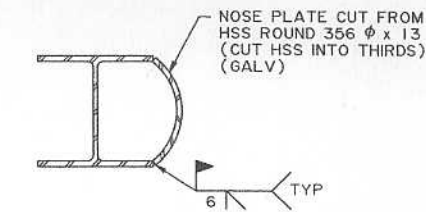
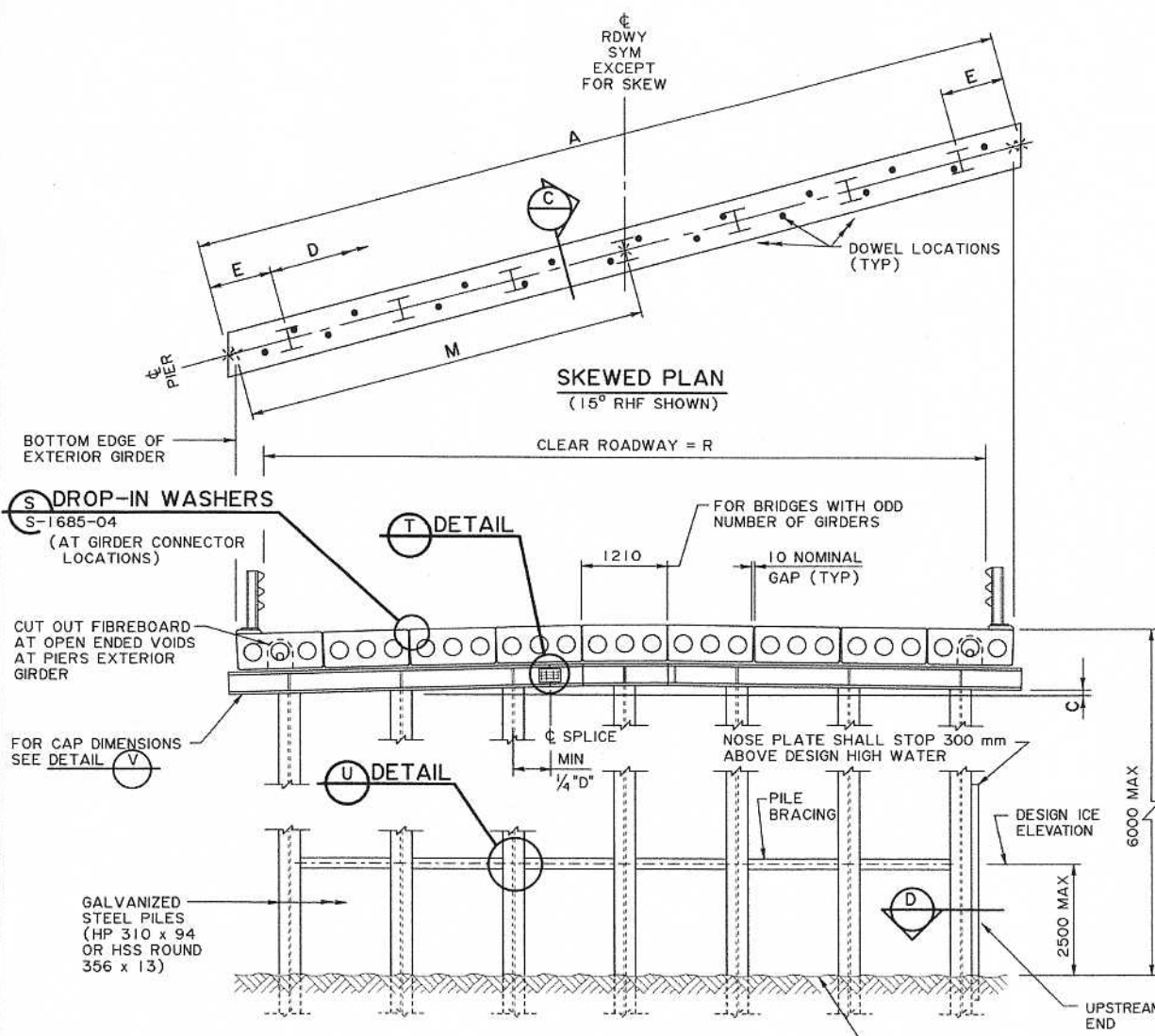


DATA FOR STANDARD SC PRECAST GIRDER BRIDGES - PIERS

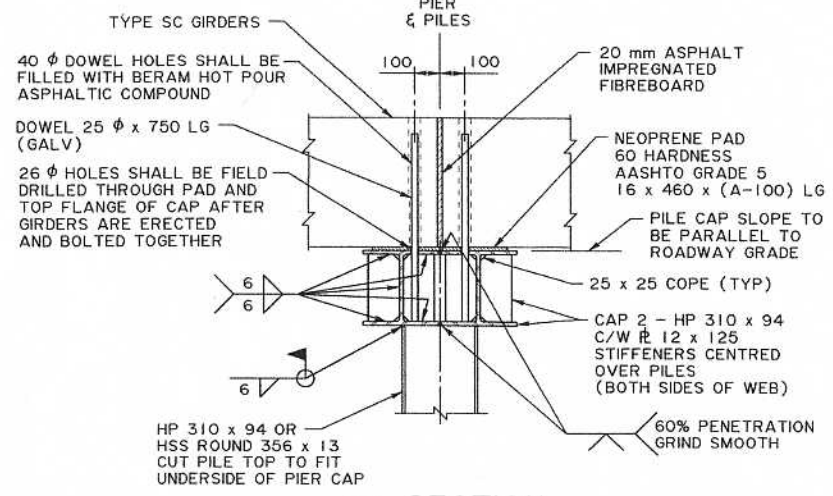
CLEAR ROADWAY (GIRDERS / SPAN) R	8 940 (8)				10 160 (9)				11 370 (10)				12 590 (11)				13 810 (12)				15 020 (13)				
	0°	15°	30°	45°	0°	15°	30°	45°	0°	15°	30°	45°	0°	15°	30°	45°	0°	15°	30°	45°	0°	15°	30°	45°	
OVERALL LENGTH	9 920	10 270	11 455	14 029	11 140	11 533	12 863	15 754	12 350	12 786	14 261	17 466	13 570	14 049	15 669	19 191	14 790	15 312	17 078	20 916	16 000	16 564	18 475	22 627	
CROWN	99	99	99	99	111	111	111	111	124	124	124	124	136	136	136	136	148	148	148	148	160	160	160	160	
DIFFERENTIAL FOR ROADWAY GRADE OF	1% C	0	27	57	99	0	30	64	111	0	33	71	124	0	36	78	136	0	40	85	148	0	43	92	160
	2% C	0	53	115	198	0	60	129	223	0	66	143	247	0	73	157	271	0	79	171	296	0	86	185	320
	3% C	0	80	172	298	0	90	193	334	0	99	214	371	0	109	235	407	0	119	256	444	0	129	277	480
NUMBER	6	6	6	6	7	7	7	7	8	8	8	8	9	9	9	9	9	9	9	9	10	10	10	10	
SPACING	D	1 642	1 700	1 896	2 322	1 572	1 627	1 815	2 223	1 520	1 574	1 755	2 150	1 482	1 534	1 711	2 096	1 635	1 693	1 888	2 312	1 588	1 644	1 834	2 246
END DISTANCES	E	855	885	987	1 209	855	885	987	1 209	855	885	987	1 209	855	885	987	1 209	855	885	987	1 209	855	885	987	1 209
NUMBER OF DOWELS PER LINE		8	8	8	8	9	9	9	9	10	10	10	10	11	11	11	11	12	12	12	12	13	13	13	13
EXTERIOR GIRDER LOCATION FROM BRIDGE	M	4 859	5 030	5 611	6 872	5 467	5 660	6 313	7 732	6 075	6 289	7 015	8 591	6 683	6 919	7 717	9 451	7 291	7 548	8 419	10 311	7 899	8 178	9 121	11 171



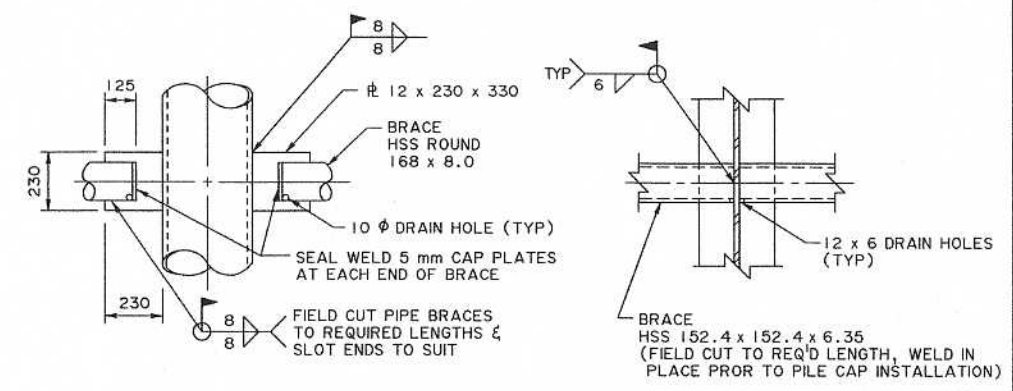
SECTION (FOR HP 310 x 94 PILE ONLY) 1:10



PIER ELEVATION 1:50

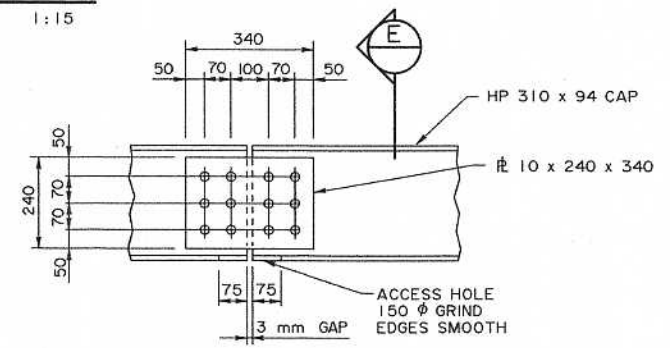


SECTION 1:15

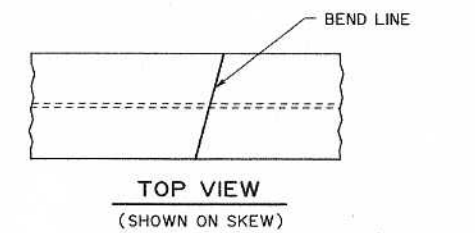


BRACING DETAILS 1:15

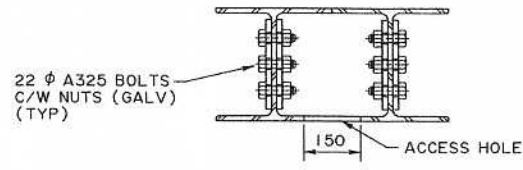
NOTE: PILE BRACING IS NOT REQUIRED FOR PIER HEIGHT LESS THAN 1.5 m SEE DRAWING S-1683-04 "BRIDGE ELEVATION" FOR PIER HEIGHT DESCRIPTION



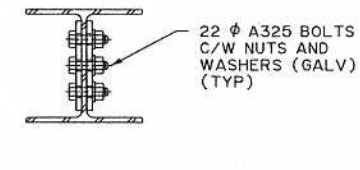
DETAIL - OPTIONAL FIELD SPLICE 1:10



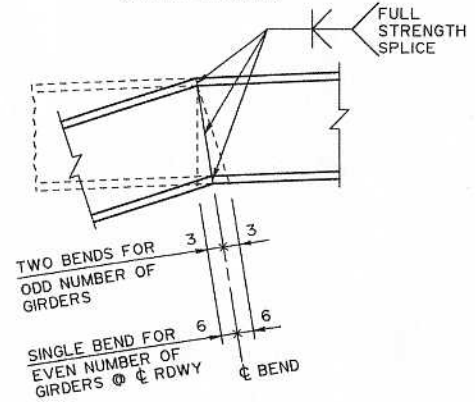
TOP VIEW (SHOWN ON SKEW)



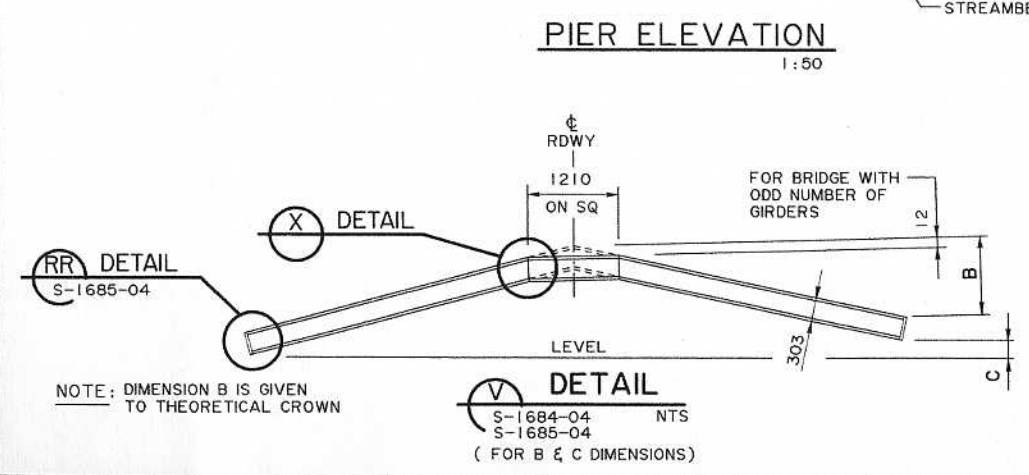
SECTION - PIER 1:10



SECTION - ABUTMENT 1:10



DETAIL NTS



DETAIL 1:10

	PERMIT TO PRACTICE MOST ENGINEERING (2001) LTD. Signature: [Signature] Date: Mar 05, 2007 PERMIT NUMBER: P 8859 The Association of Professional Engineers, Geologists and Geophysicists of Alberta.	DESIGNER 	CHECKER 	RECOMMENDED DIRECTOR BRIDGE ENGINEERING ORIGINAL SIGNED BY REG QUINTON APPROVED EXECUTIVE DIRECTOR TECHNICAL STANDARDS BRANCH ORIGINAL SIGNED BY ALLAN KWAN	Alberta TRANSPORTATION SC PRECAST GIRDER BRIDGES WITH STEEL SUBSTRUCTURES SHEET 2
	DATE: Mar 05, 2007	DATE: 03-05-2007	DATE: 2007-02-14 GENERAL REDRAWN FROM S-1603-94 & S-1604-94 (REV 3) TO COMPLY WITH CAN/CSA-S8-00 & NEW CURB GIRDERS	DATE: 2004-11-29 GENERAL	DATE: JANUARY 7, 2005