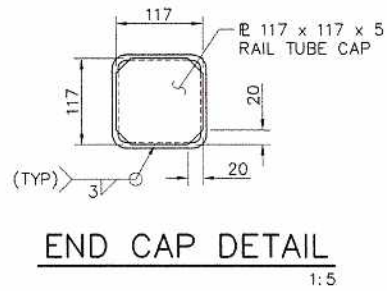
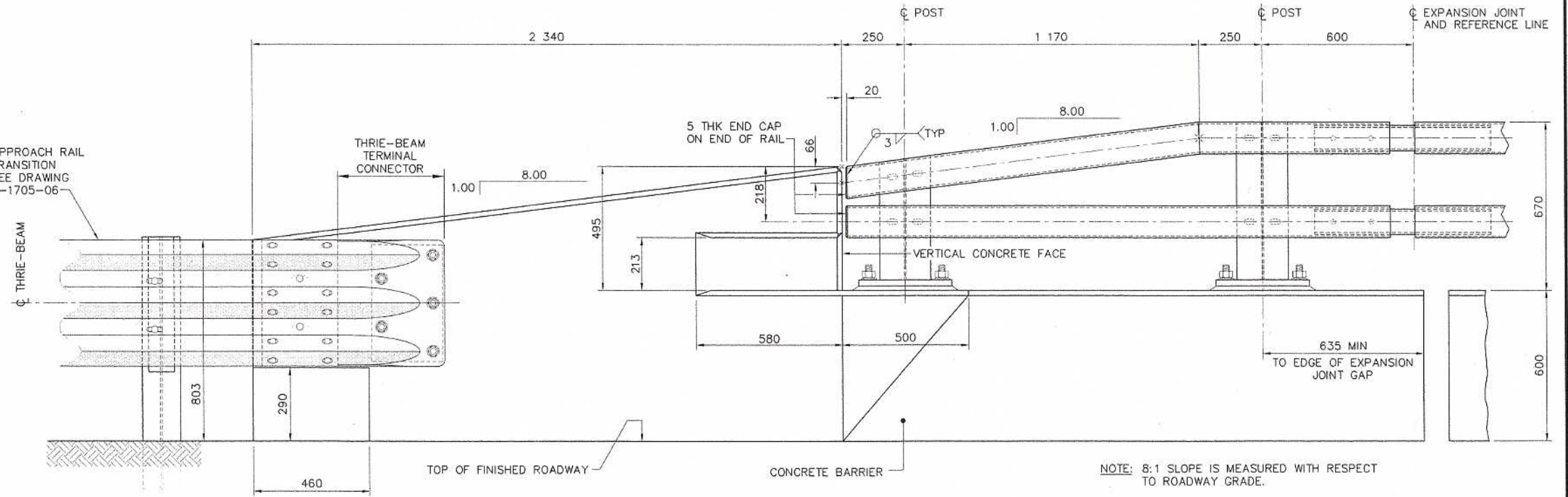


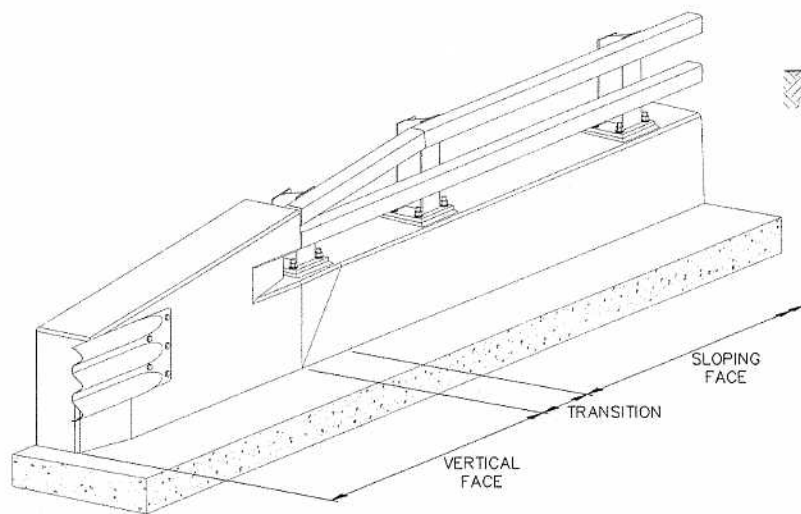
SECTION A
1:10



APPROACH RAIL TRANSITION SEE DRAWING S-1705-06



RAIL END ELEVATION
1:10



• WORK THESE DRAWINGS TOGETHER: S-1702-06, S-1703-06, S-1704-06 AND S-1705-06

	PERMIT TO PRACTICE UMA ENGINEERING LTD. Signature: <i>May 8/06</i> Date: <i>May 8/06</i> PERMIT NUMBER: P329 The Association of Professional Engineers, Geologists and Geophysicists of Alberta.	DESIGNER DATE: 4 MAY 2006	CHECKER DATE: May 2006	REVISIONS 6 5 4 3 2 1	RECOMMENDED DIRECTOR BRIDGE ENGINEERING APPROVED EXECUTIVE DIRECTOR TECHNICAL STANDARDS BRANCH DATE: May 23, 2006	Alberta INFRASTRUCTURE AND TRANSPORTATION PL-3 DOUBLE TUBE TYPE BRIDGERAIL BARRIER END DETAILS
	DATE: 2005-11-01 SHEET: 2 of 4 DRAWING: S-1703-06					