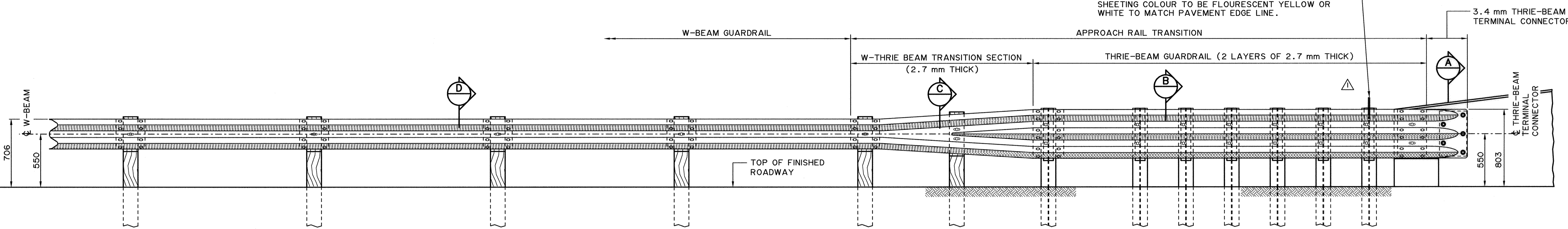
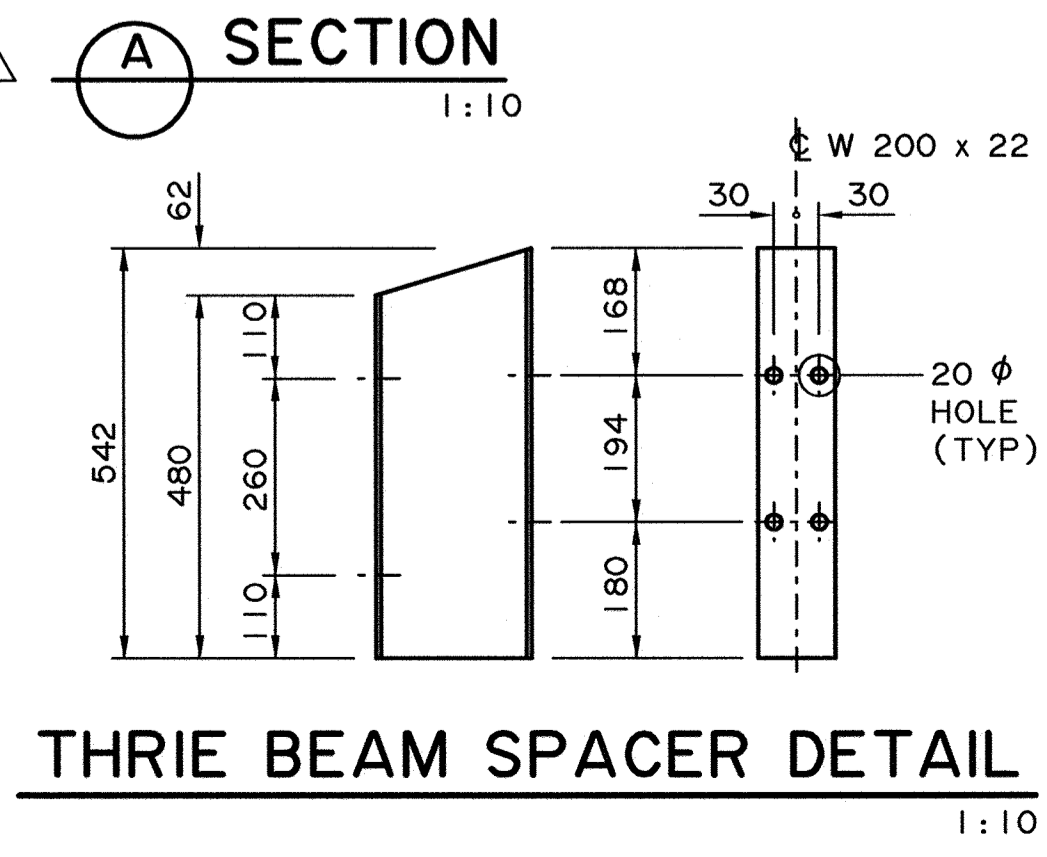
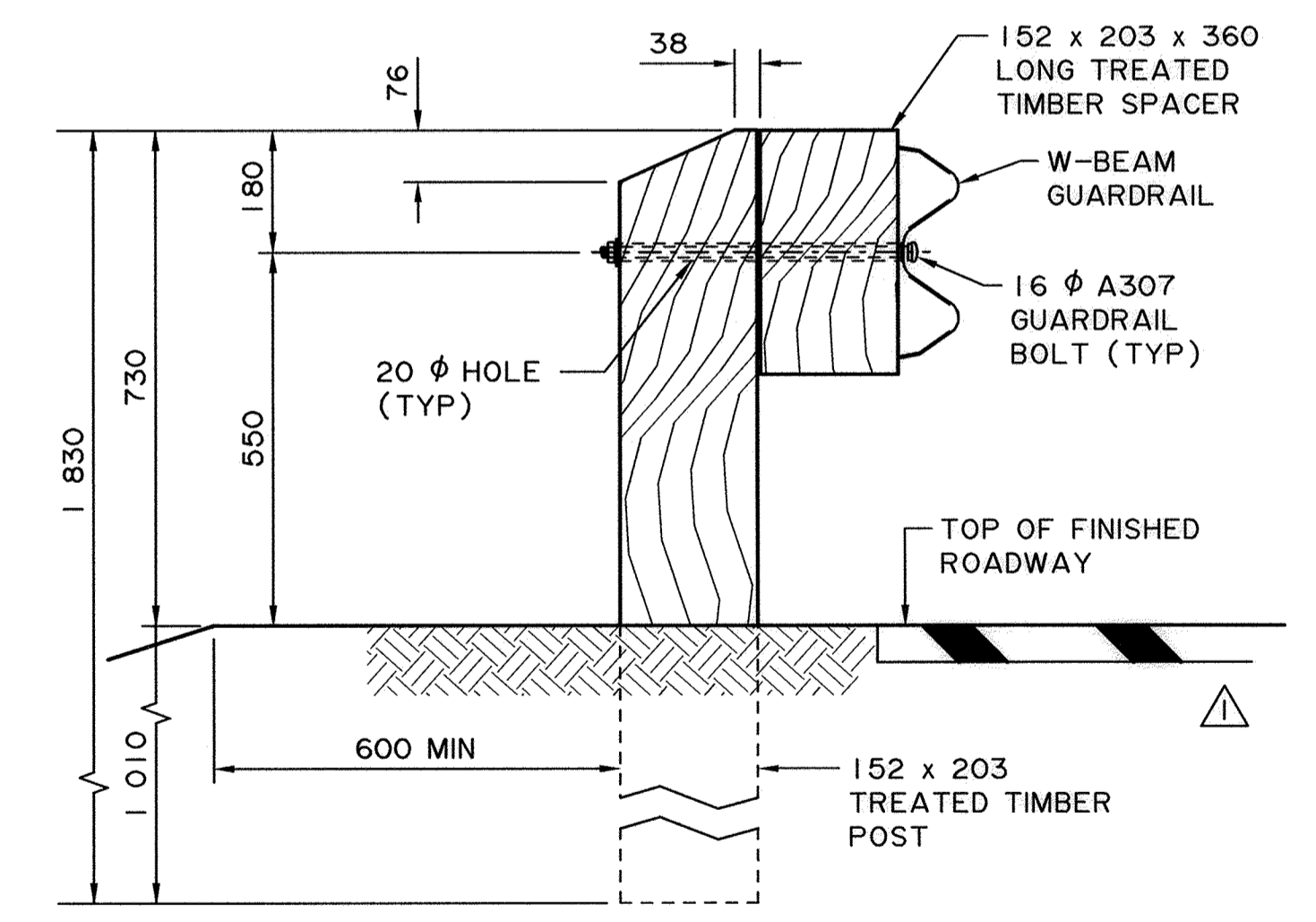
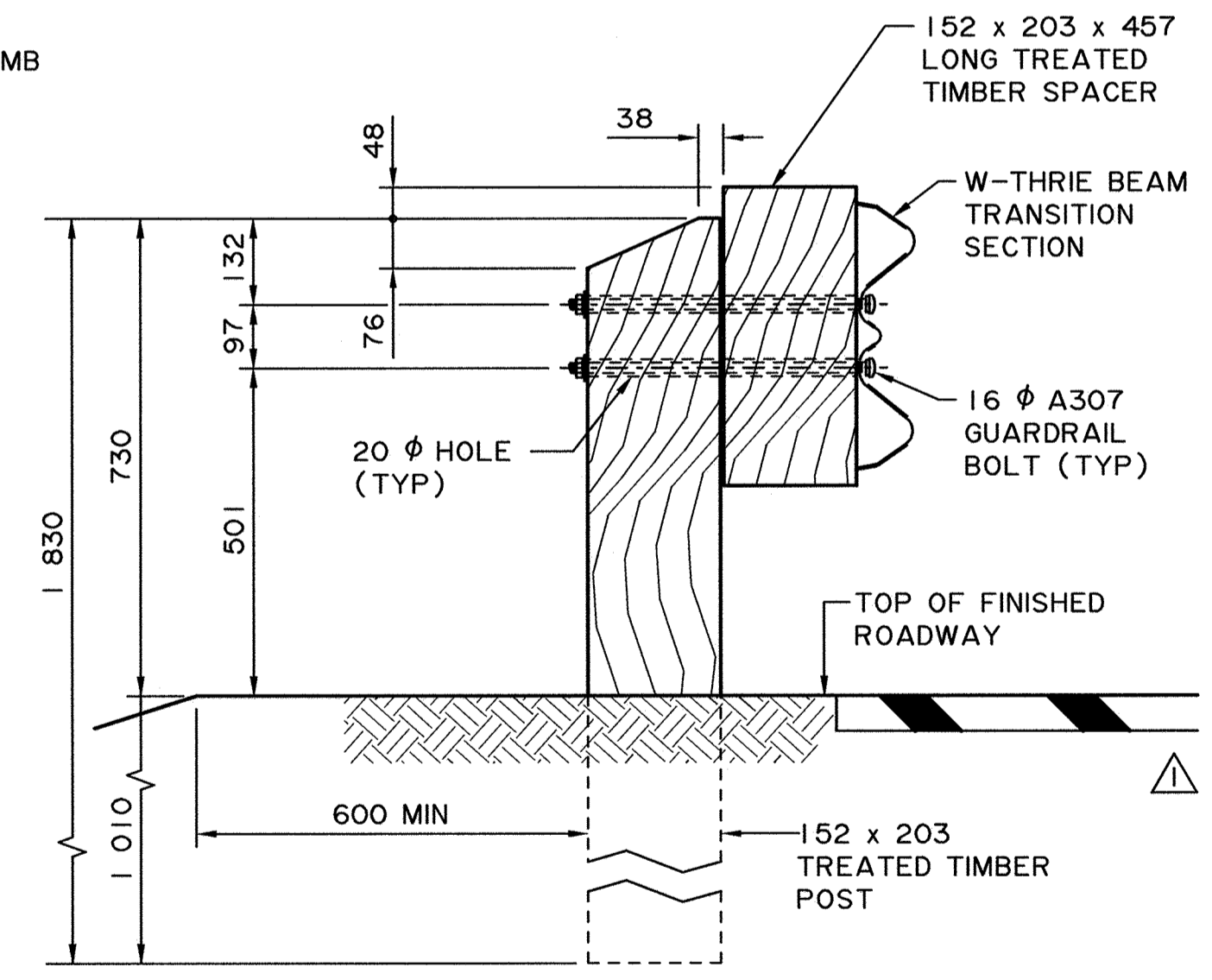
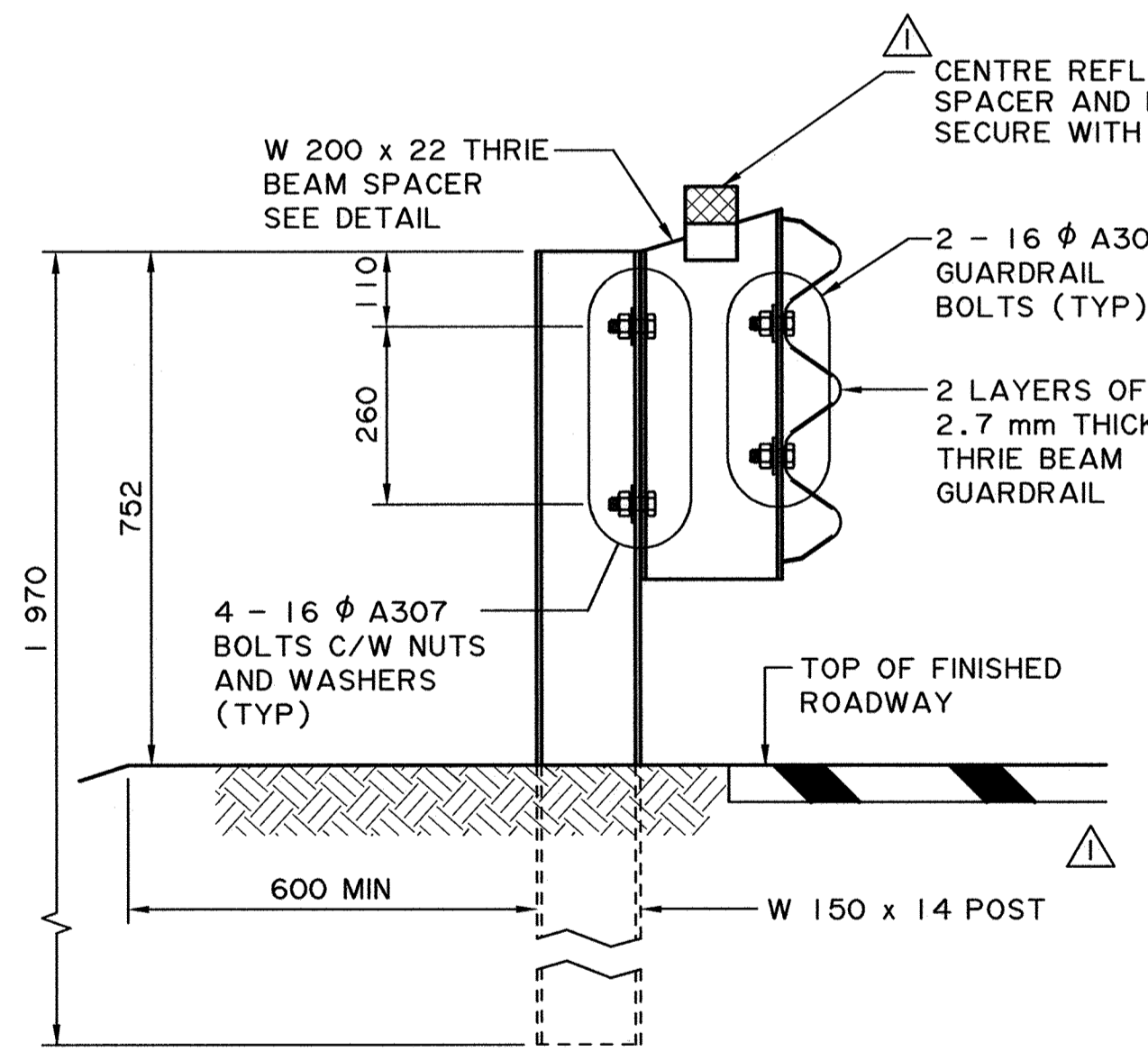
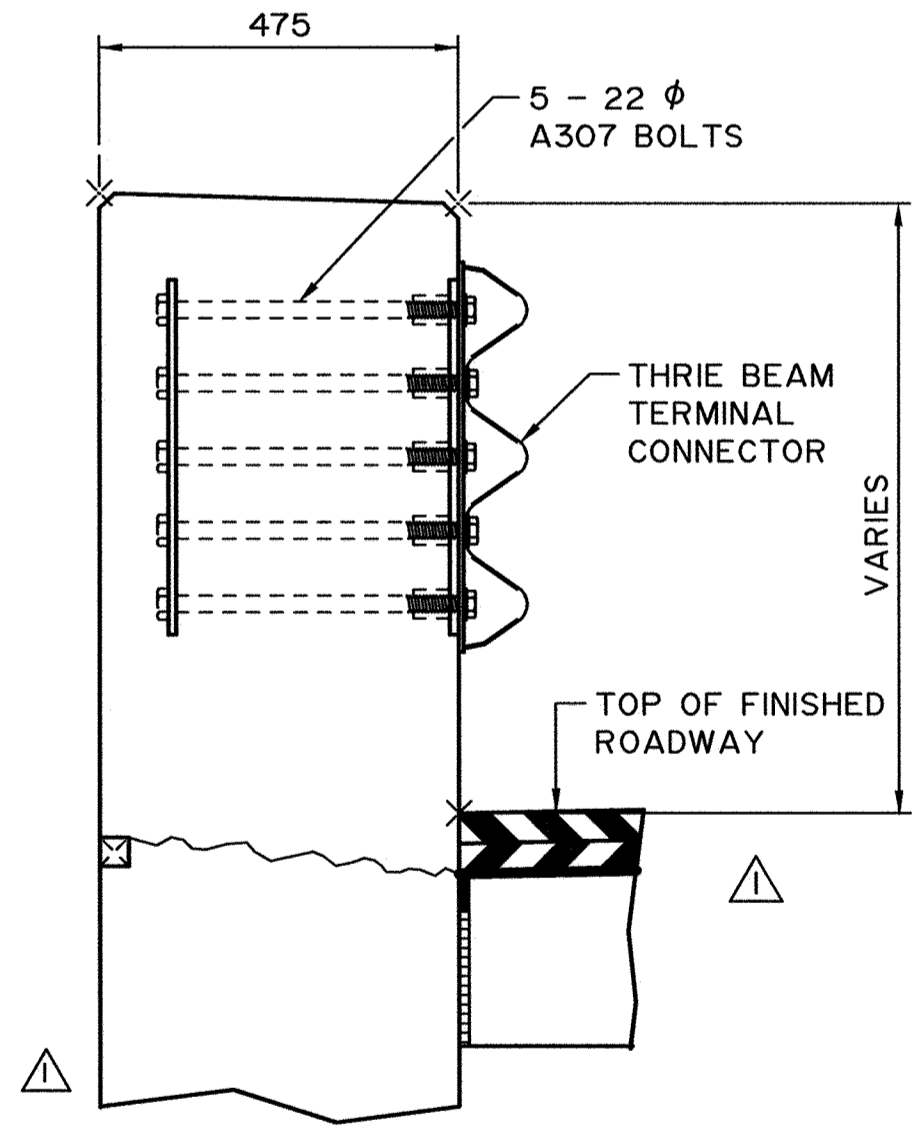


W-BEAM POST TYPE REFLECTOR COMPLETE WITH URETHANE HINGE AT 12 000 MAX SPACING. REFLECTOR IS DOUBLE SIDED SHEETING 108 mm x 76 mm (MIN) MEETING ASTM D4956 TYPE IX OR XI FOR LUMINANCE LEVEL. SHEETING COLOUR TO BE FLOURESCENT YELLOW OR WHITE TO MATCH PAVEMENT EDGE LINE.



APPROACH RAIL TRANSITION ELEVATION
1:20



• WORK THESE DRAWINGS TOGETHER: S-1702, S-1703, S-1704 AND S-1705

UMA AECOM	PERMIT TO PRACTICE UMA ENGINEERING LTD. PERMIT NUMBER: P 329 ORIGINAL STAMPED AND SIGNED BY: D. C. OLIVER ON: MAY 8, 2006 <small>The Association of Professional Engineers, Geologists and Geophysicists of Alberta</small>	DESIGNER BY: D. A. NJIE ON: MAY 4, 2006	CHECKER BY: R. J. RAMSAY ON: MAY 4, 2006	2012-01-18 DRIP EDGE, ACP AND REFLECTOR SHOWN	RECOMMENDED DIRECTOR BRIDGE ENGINEERING TOM LOO	 PL-3 DOUBLE TUBE TYPE BRIDGERAILS APPROACH RAIL TRANSITION DETAILS
		APPROVED EXECUTIVE DIRECTOR TECHNICAL STANDARDS BRANCH ALLAN KWAN DATE MAY 23, 2006	AI BAR CODE DATE 2005-11-01 SHEET 4 of 4 DRAWING S-1705-06			

WS 2012-01-18 S1705x06-RV1.DGN