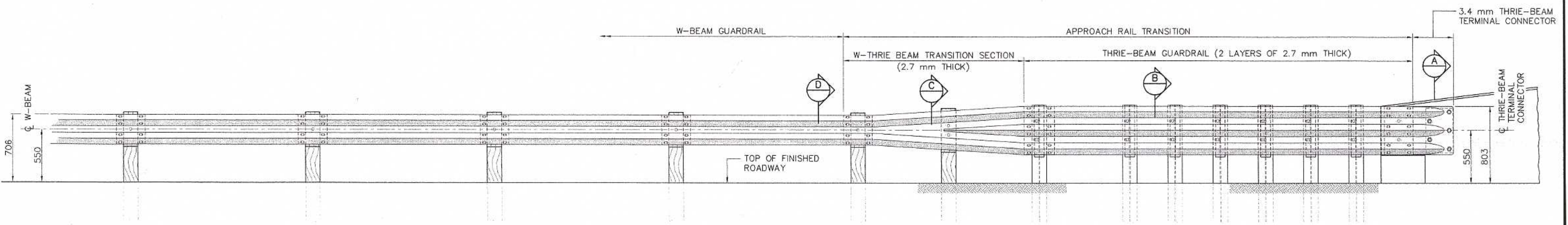
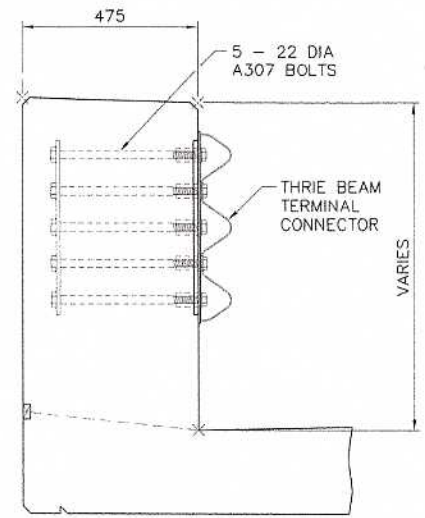


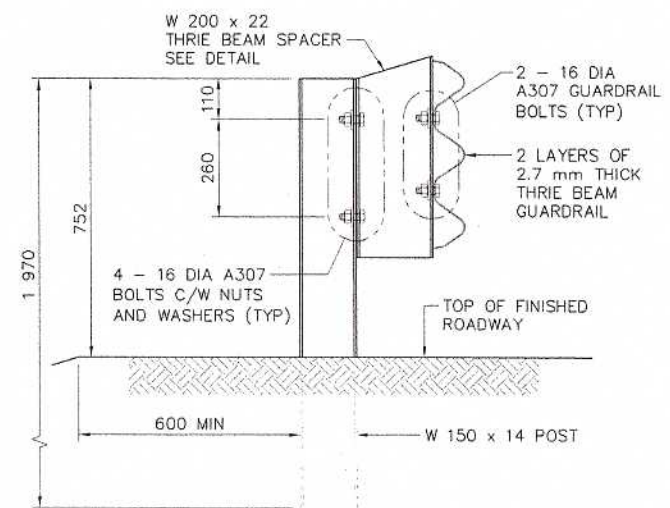
APPROACH RAIL TRANSITION PLAN
1:20



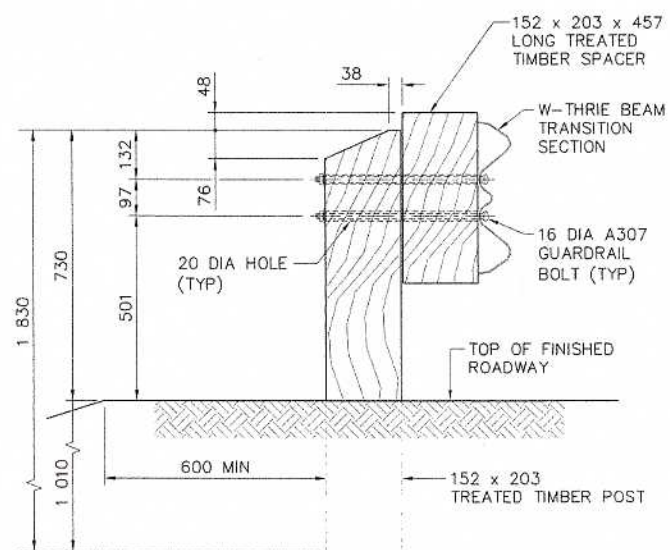
APPROACH RAIL TRANSITION ELEVATION
1:20



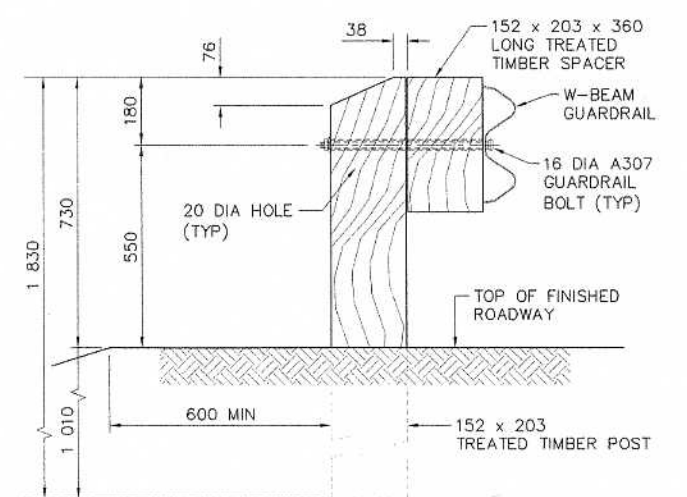
A SECTION
1:10



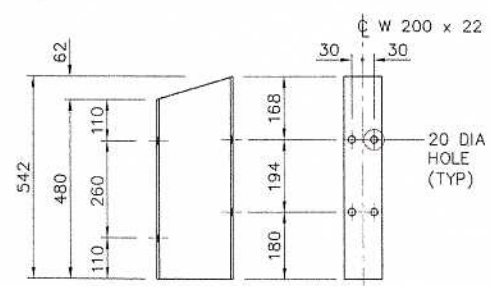
B SECTION
1:10



C SECTION
1:10



D SECTION
1:10



THRIE BEAM SPACER DETAIL
1:10

• WORK THESE DRAWINGS TOGETHER: S-1702-06, S-1703-06, S-1704-06 AND S-1705-06

UMA AECOM PERMIT TO PRACTICE UMA ENGINEERING LTD. Signature: <i>May 8, 2006</i> PERMIT NUMBER: P329 The Association of Professional Engineers, Geologists and Geophysicists of Alberta.	DESIGNER DATE: 4 MAY 2006	CHECKER DATE: May 9, 2006	RECOMMENDED DIRECTOR BRIDGE ENGINEERING Signature: <i>Tom Zoo</i>	APPROVED EXECUTIVE DIRECTOR TECHNICAL STANDARDS BRANCH Signature: <i>Allan Swan</i> DATE: May 23, 2006	Alberta INFRASTRUCTURE AND TRANSPORTATION PL-3 DOUBLE TUBE TYPE BRIDGERAILS APPROACH RAIL TRANSITION DETAILS
	REVISIONS REV DATE REVISIONS BY		DATE: 2005-11-01 SHEET: 4 of 4 DRAWING: S-1705-06		