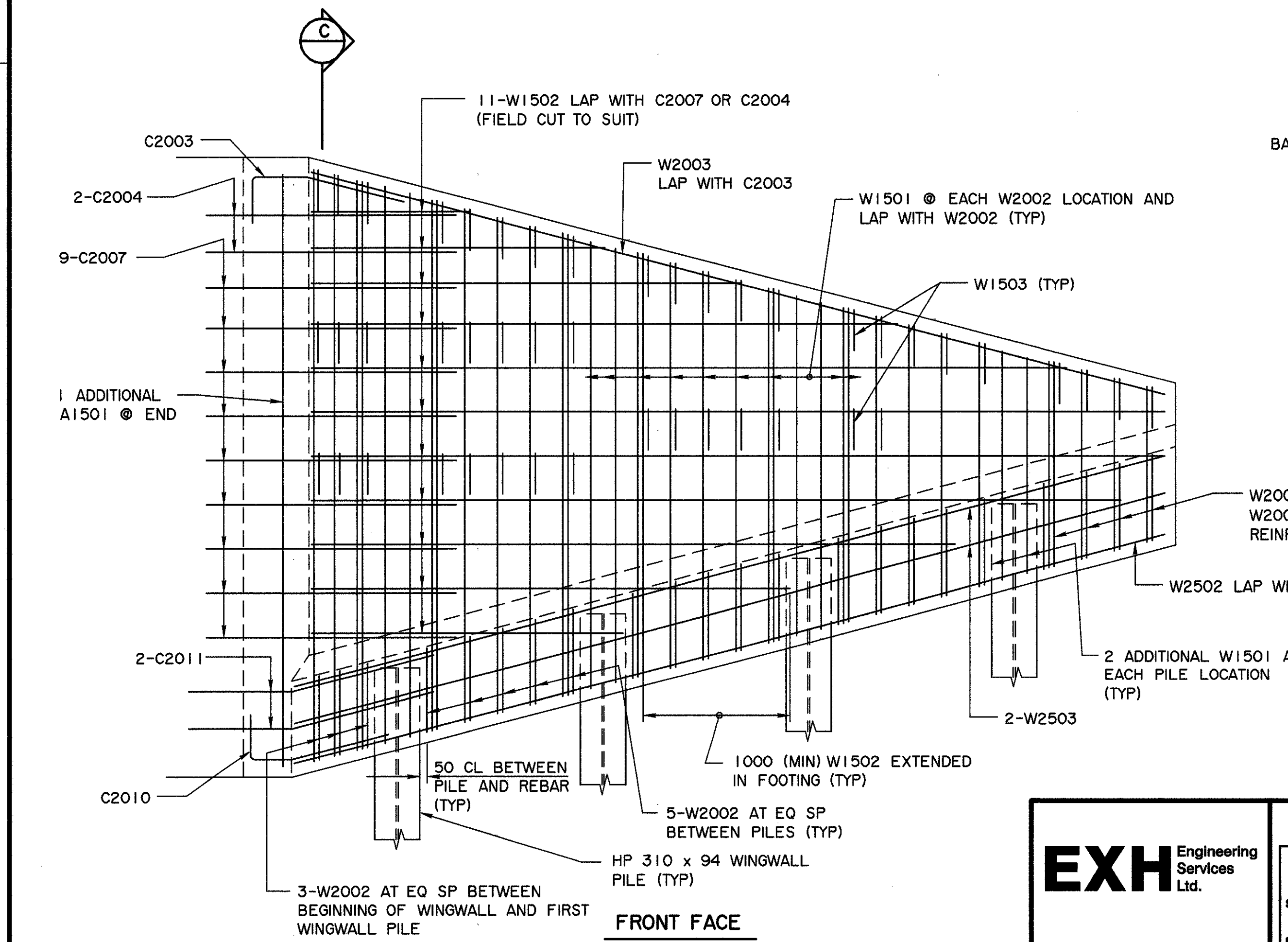
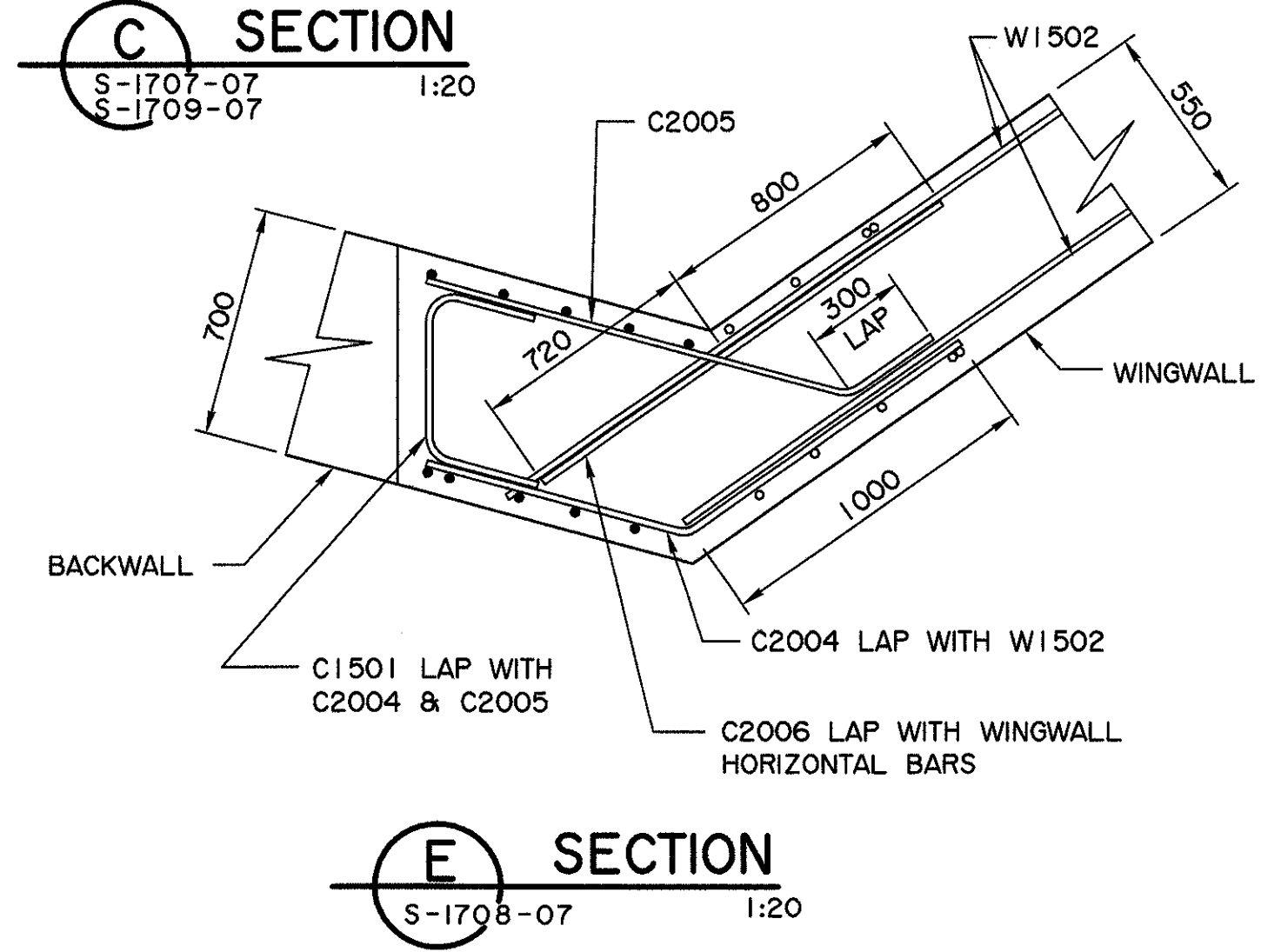
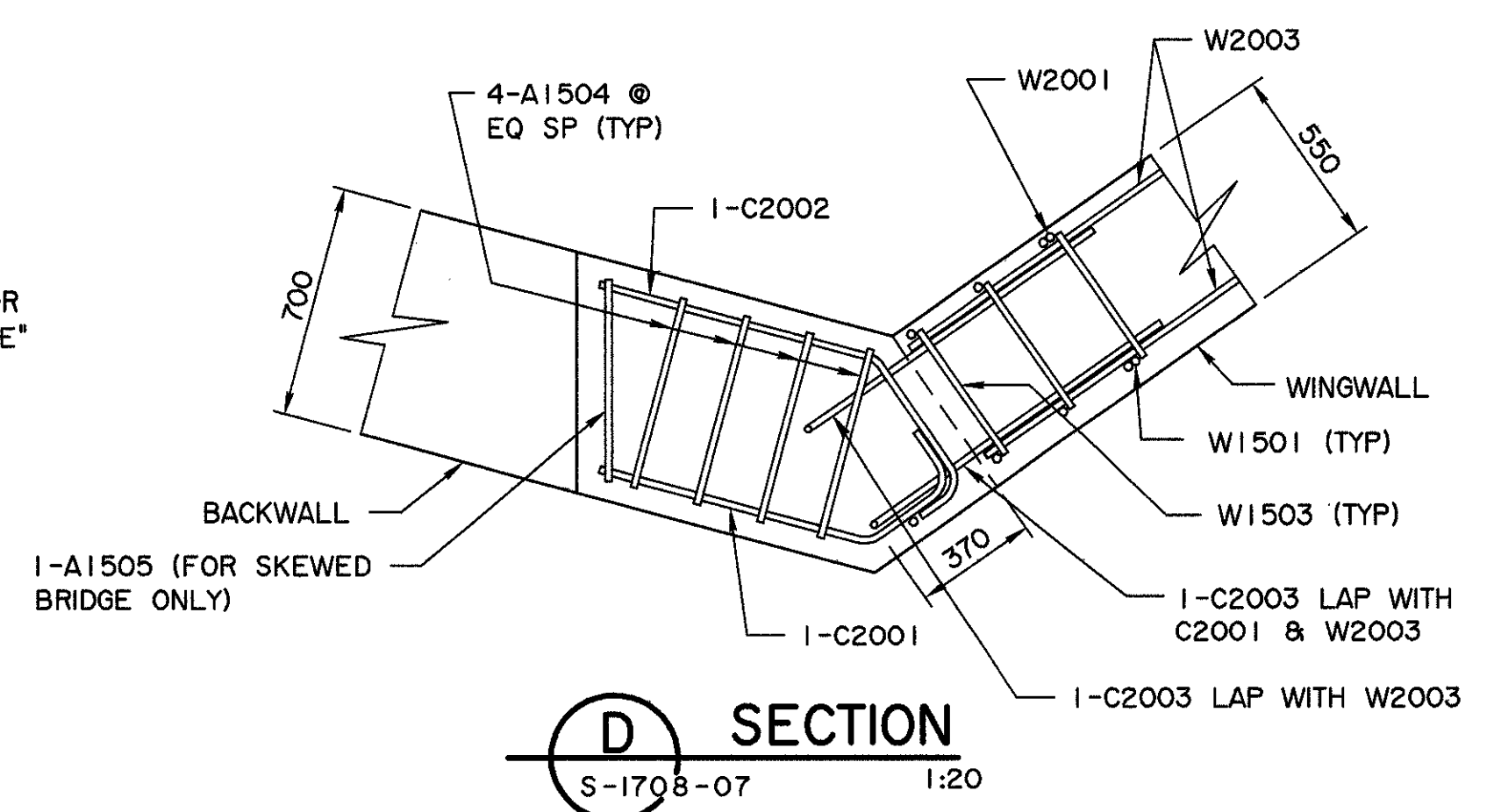
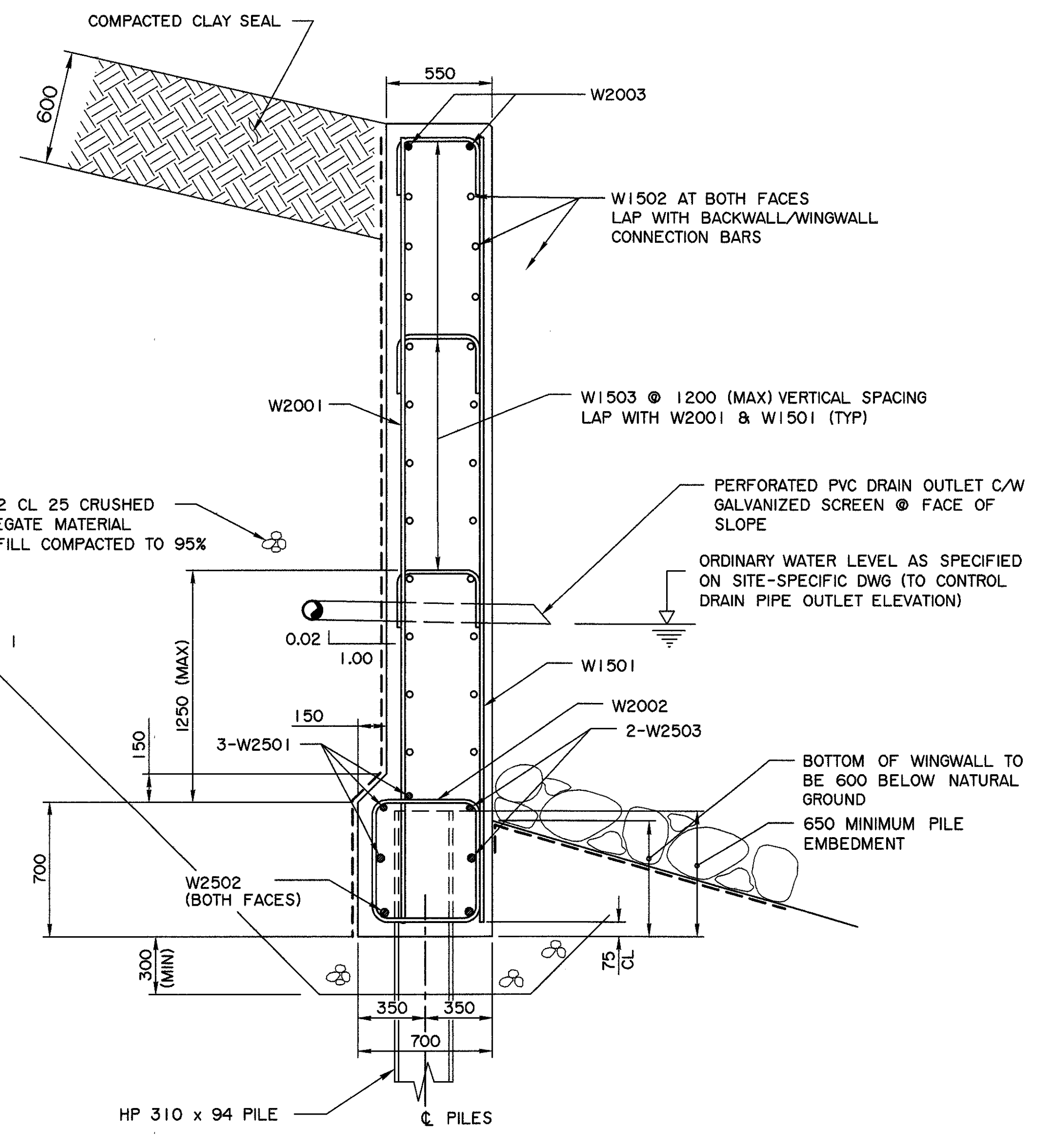
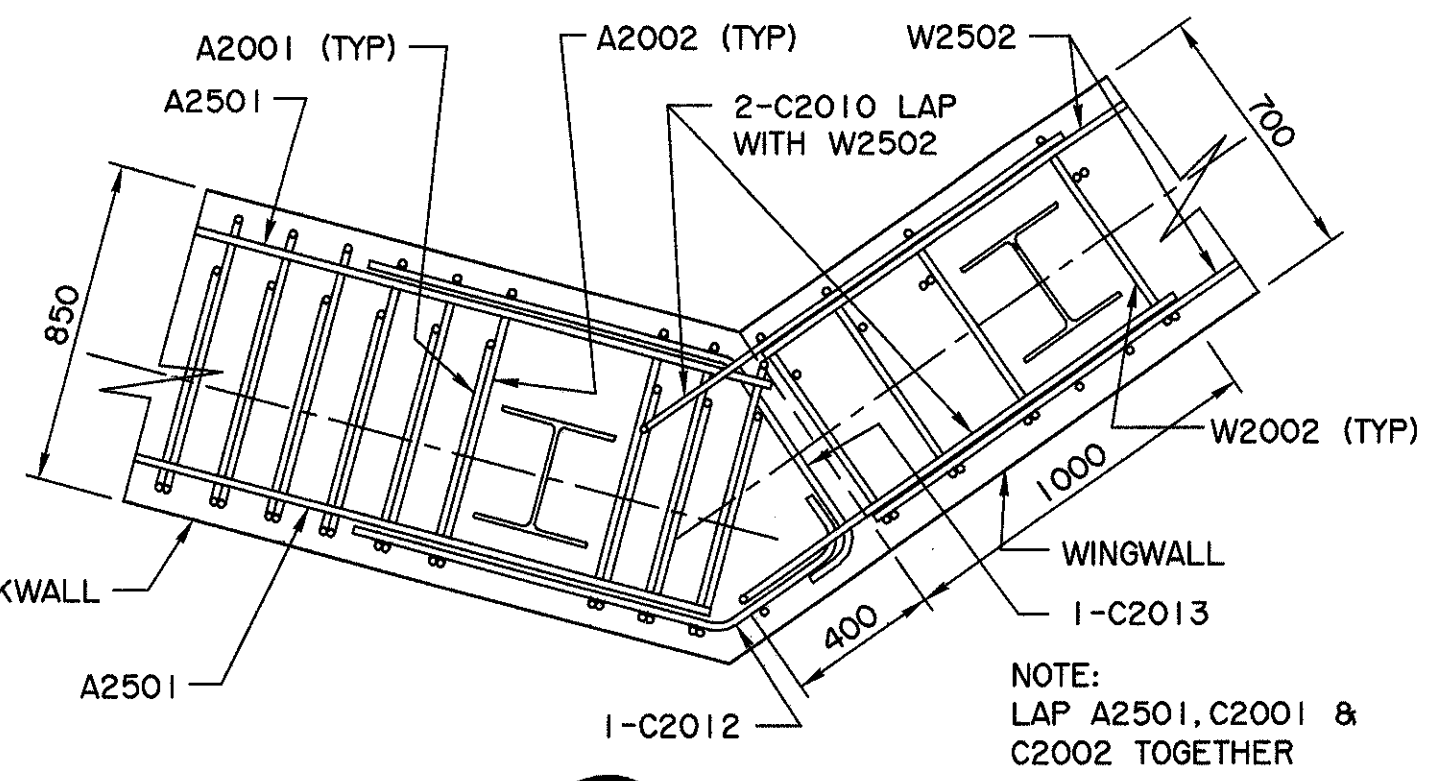


W2002 @ EQ SP BETWEEN END OF WINGWALL AND THE LAST PILE FOR 0° SKEW, 4-W2002; FOR 15° SKEW, 6-W2002 AT ACUTE SIDE, 2-W2002 AT OBTUSE SIDE; FOR 30° SKEW, 4-W2002 AT ACUTE SIDE, 2-W2002 AT OBTUSE SIDE



**WINGWALL REINFORCEMENT**  
(WINGWALL FOR 0° SKEW BRIDGE SHOWN) 1:25



	<b>PERMIT TO PRACTICE</b> EXH ENGINEERING SERVICES LTD. Signature: [Signature] Date: <u>Aug. 14, 2007</u> PERMIT NUMBER: P 5347 The Association of Professional Engineers, Geologists and Geophysicists of Alberta	DESIGNER 	CHECKER 	RECOMMENDED DIRECTOR BRIDGE ENGINEERING [Signature] APPROVED EXECUTIVE DIRECTOR TECHNICAL STANDARDS BRANCH [Signature]	<b>Alberta</b> INFRASTRUCTURE AND TRANSPORTATION <b>SCC PRECAST GIRDER BRIDGES WITH CAST-IN-PLACE CONCRETE HIGH BACKWALL ABUTMENTS - SHT 4</b> DEPARTMENT BAR CODE: [ ] DATE: 2007-06-07 SHEET: 4 OF 5 DRAWING: S-1709-07
	DATE: <u>Aug. 14, 2007</u>	DATE: <u>Aug. 14, 2007</u>	REV: [ ] DATE: [ ] REVISIONS: [ ] BY: [ ]	DATE: <u>Aug. 14, 2007</u>	