

NOTE: FOR SKEWED END REINFORCING BAR DETAILS
SEE DWG S-1730-07

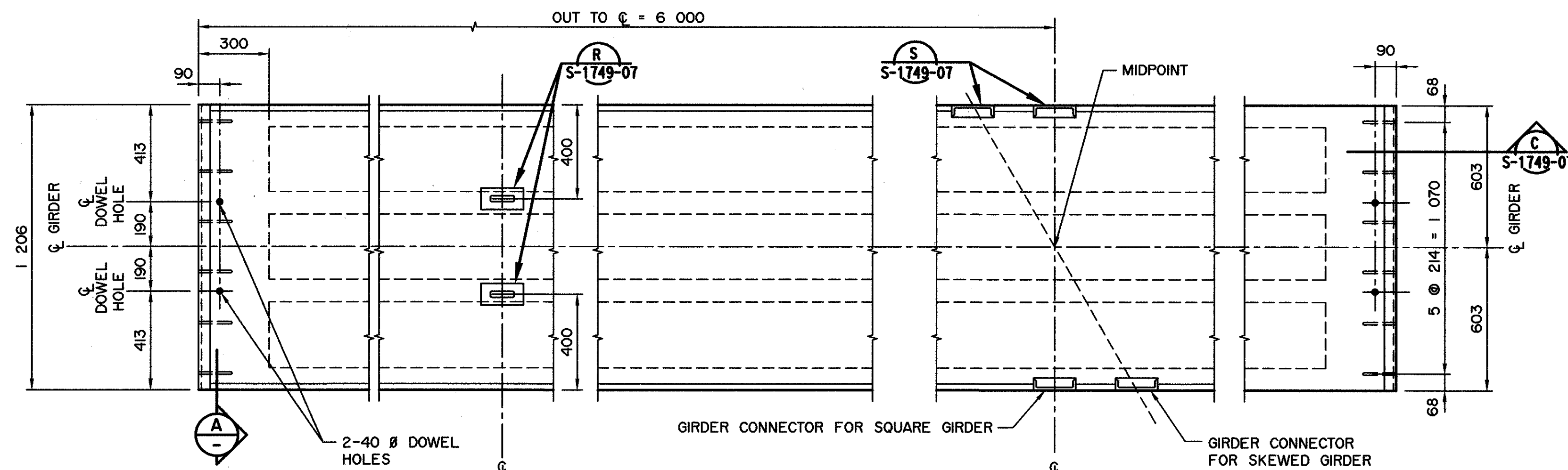
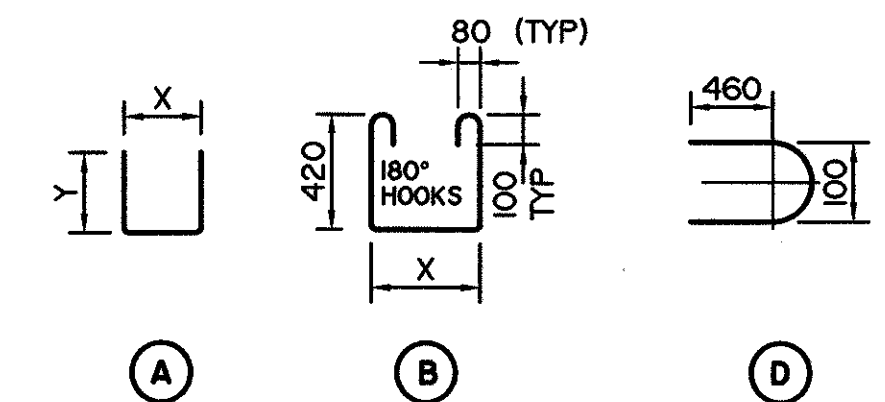
BAR LIST: FOR SQUARE GIRDER

MARK	SIZE	No.	TYPE	X	Y	LENGTH	MASS
G1001	10	52	A	1 125	300	1 725	70
G1002	10	8	B	280		1 380	9
G1003	10	53	B	1 125		2 225	93
G1004	10	49	B	410		1 510	58
G1005	10	2	A	1 000	300	1 600	3
G1006	10	12	D			1 075	10
G1007	10	5	STR			11 900	47
G1008	10	2	STR			11 800	19
G1028	10	6	STR			1 100	5
G2501	25	4	A	11 850	350	12 550	197

TOTAL PLAIN kg: 511

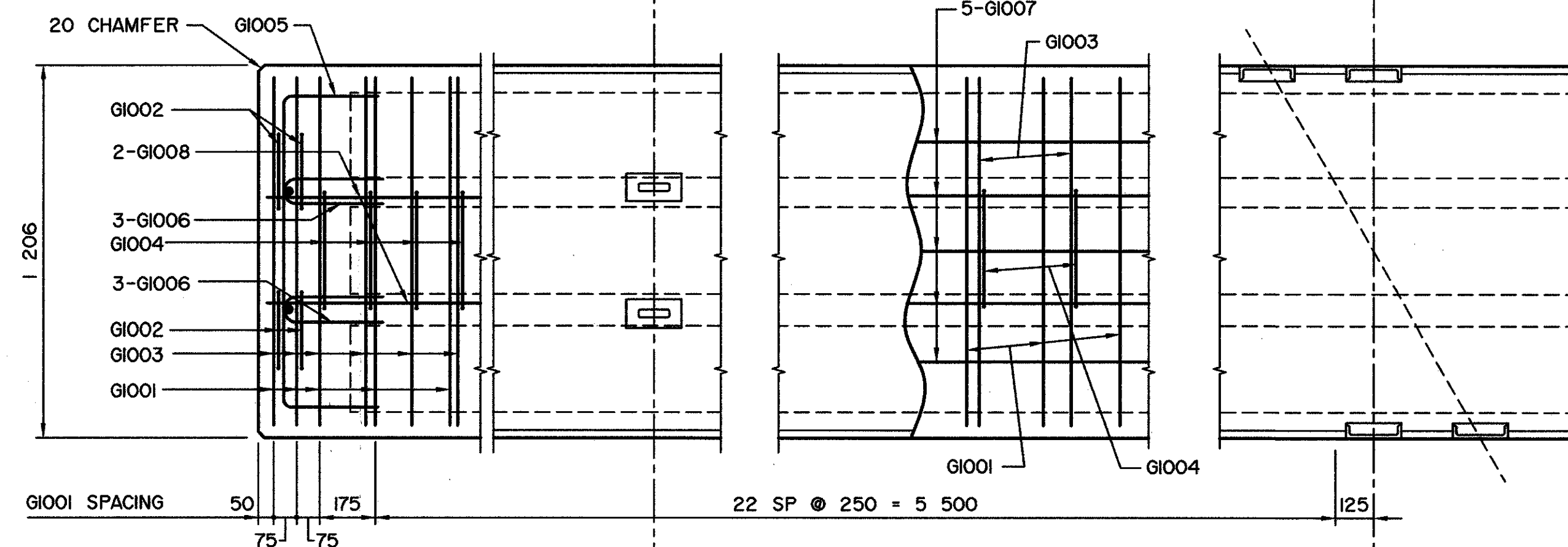
BAR TYPES

(ALL BAR DIMENSIONS ARE OUT TO OUT)

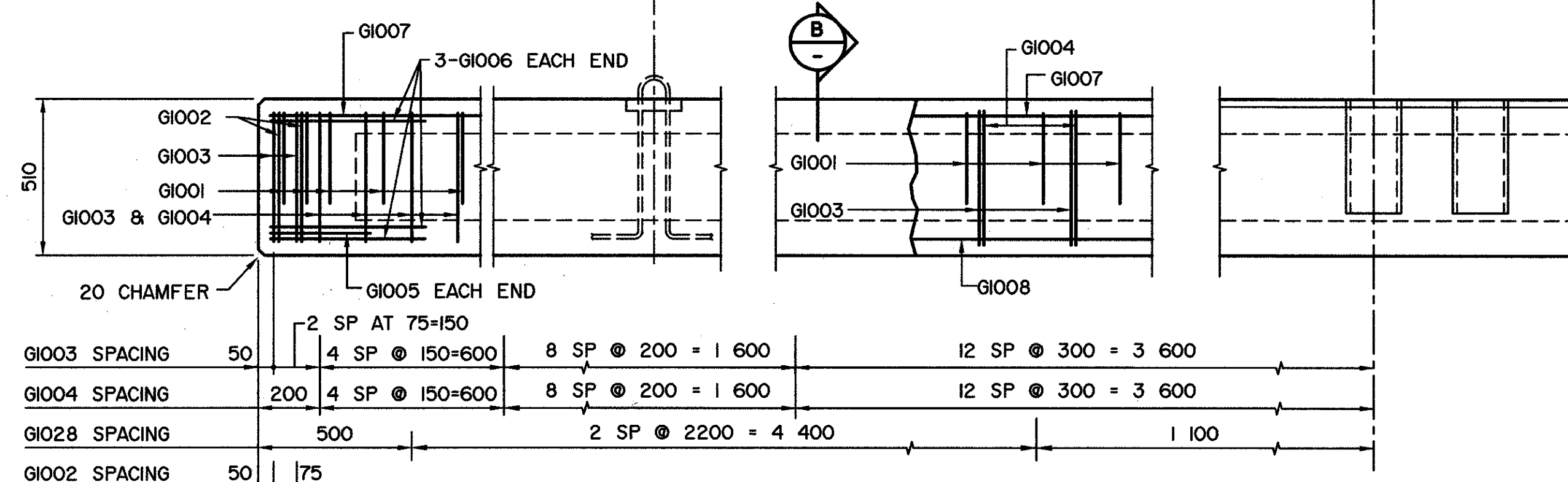


PLAN VIEW
1:15

NOTE:
BEND REINFORCING BAR WHERE NECESSARY TO
ACCOMMODATE CHANNEL CONNECTORS. STIRRUP
SPACING TO BE MAINTAINED.

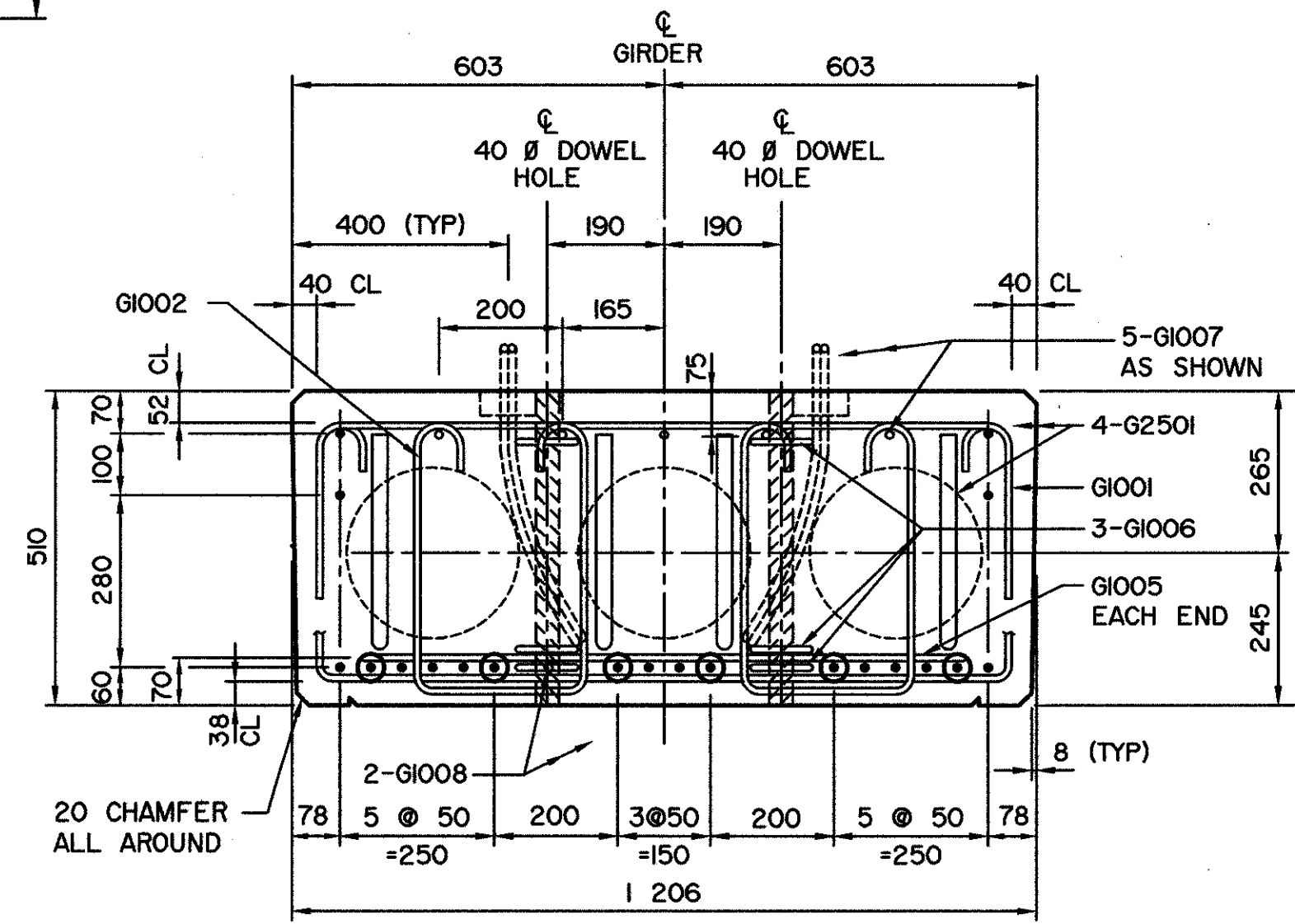


REINFORCEMENT PLAN
1:15

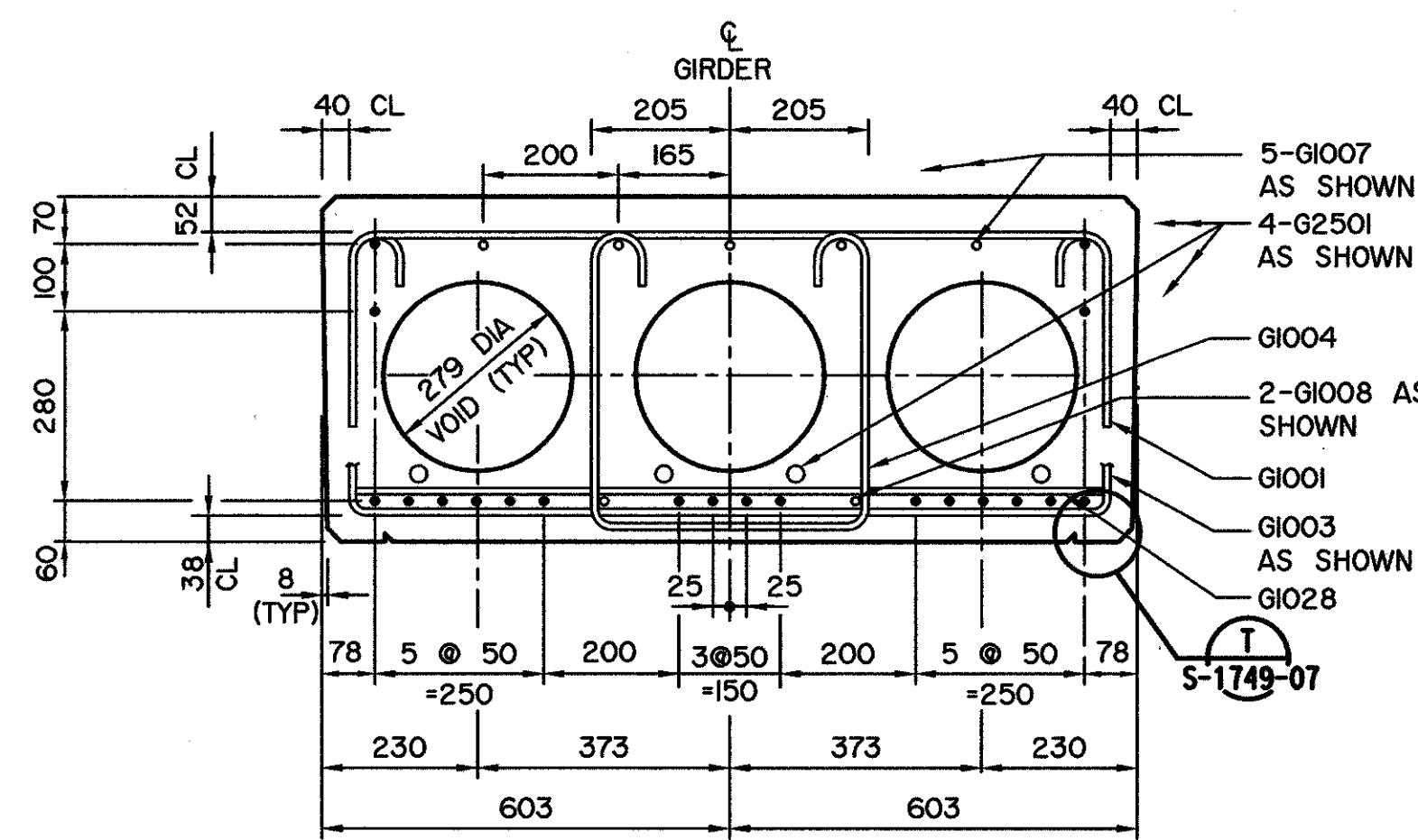


ELEVATION
1:15

G1003 SPACING	50	2 SP AT 75=150	8 SP @ 200 = 1 600	12 SP @ 300 = 3 600
G1004 SPACING	200	4 SP @ 150=600	8 SP @ 200 = 1 600	12 SP @ 300 = 3 600
G1028 SPACING	500	2 SP @ 2200 = 4 400		1 100
G1002 SPACING	50			



A SECTION
1:10



B SECTION
1:10

GENERAL NOTES

- FOR ADDITIONAL NOTES, REFER TO DWG S-1749-07.
- 20-15 Ø 7 WIRE STRANDS REQUIRED PER GIRDER.
- STRANDS MARKED ⊙ ARE TO BE DEBONDED FOR 1400 mm FROM THE GIRDER ENDS.
- FORCE IN PRESTRESSING STEEL:
INITIAL TENSION BEFORE RELEASE = 195 kN/STRAND
DESIGN LOAD AFTER LOSSES = 141 kN/STRAND
- ALLOWABLE TENSION IN BOTTOM FIBRE AT MIDSPAN = 2.13 MPa
- CALCULATED MASS OF ONE GIRDER = 13.08 TONNES

WORK THESE DRAWINGS TOGETHER : S-1729-07, S-1730-07 AND S-1749-07

 BPTec - DNW Engineering Ltd. Suite 200, 4220-98 St Edmonton, AB T6E 6A1 Ph: (780) 436-5376 Fax: (780) 435-4843 www.bptec-dnw.com 556-46	PERMIT TO PRACTICE BPTec-DNW ENGINEERING LTD. Signature: [Signature] Date: August 1, 2007 PERMIT NUMBER: PO132 The Association of Professional Engineers Geologists and Geophysicists of Alberta	DESIGNER CHECKER DATE: _____	RECOMMENDED DIRECTOR BRIDGE ENGINEERING APPROVED EXECUTIVE DIRECTOR TECHNICAL STANDARDS BRANCH DATE: Sept 17, 2007	Alberta INFRASTRUCTURE AND TRANSPORTATION PRESTRESSED CONCRETE 12 m TYPE SL-510 INTERIOR GIRDER			
				AI BAR CODE DATE SHEET DRAWING	2007-06-07 1 of 3 S-1729-07		