

NOTE: FOR SKEWED END REINFORCING BAR DETAILS  
SEE DWG S-1732-07

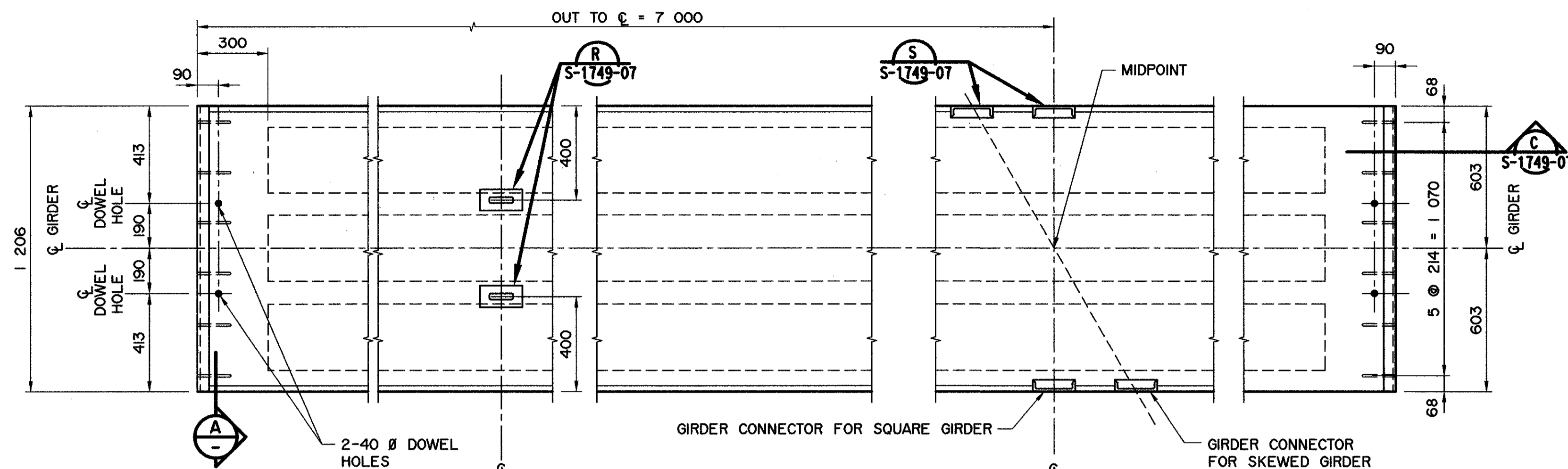
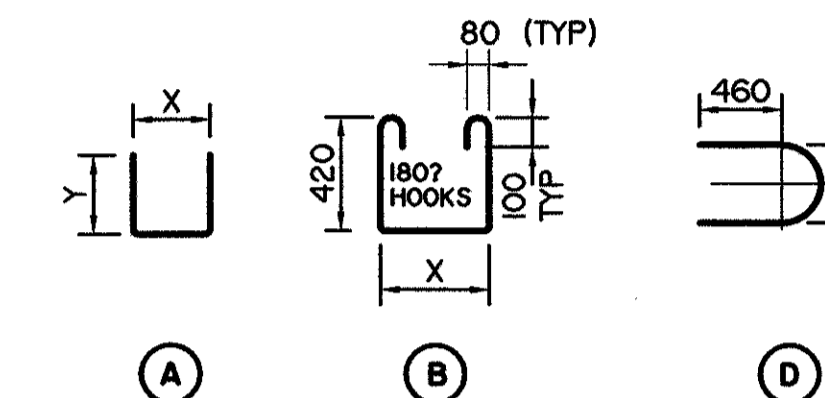
**BAR LIST: FOR SQUARE GIRDER**

MARK	SIZE	No.	TYPE	X	Y	LENGTH	MASS
G1001	10	60	A	1 125	300	1 725	81
G1002	10	12	B	280		1 380	13
G1003	10	63	B	1 125		2 225	110
G1004	10	57	B	410		1 510	68
G1005	10	2	A	1 000	300	1 600	3
G1006	10	12	D			1 075	10
G1007	10	5	STR			13 900	55
G1008	10	2	STR			13 800	22
G1028	10	6	STR			1 100	5
G2501	25	4	A	13 850	350	14 550	228

TOTAL PLAIN kg: 595

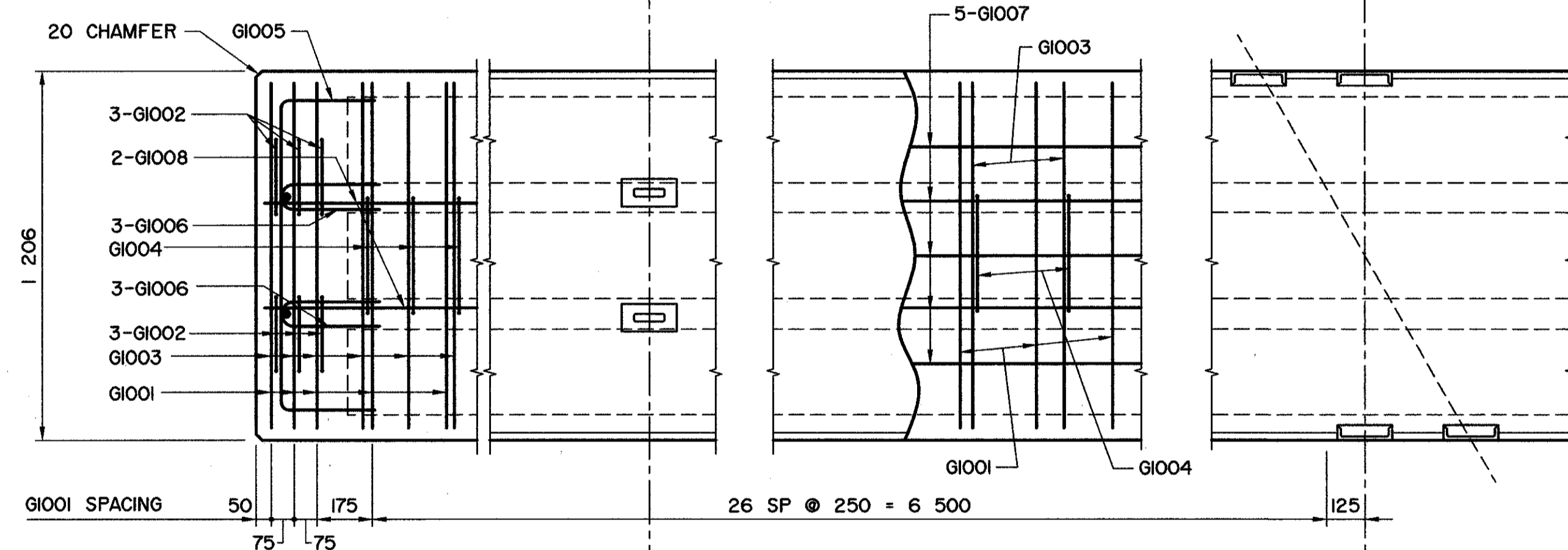
**BAR TYPES**

(ALL BAR DIMENSIONS ARE OUT TO OUT)

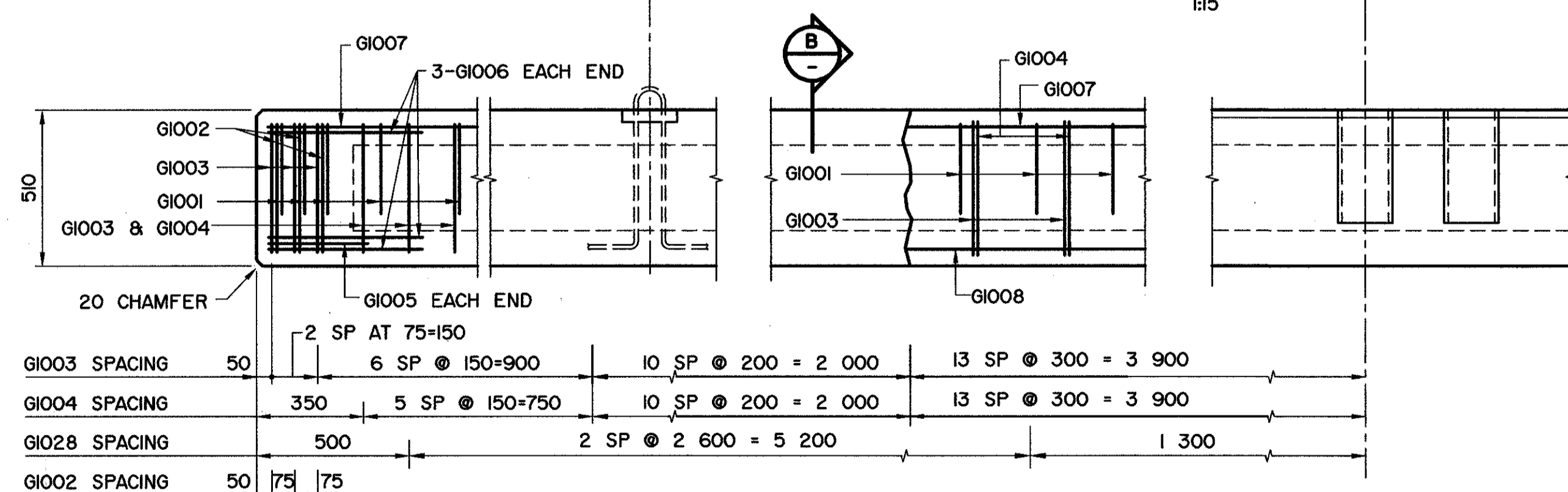


**PLAN VIEW**  
1:15

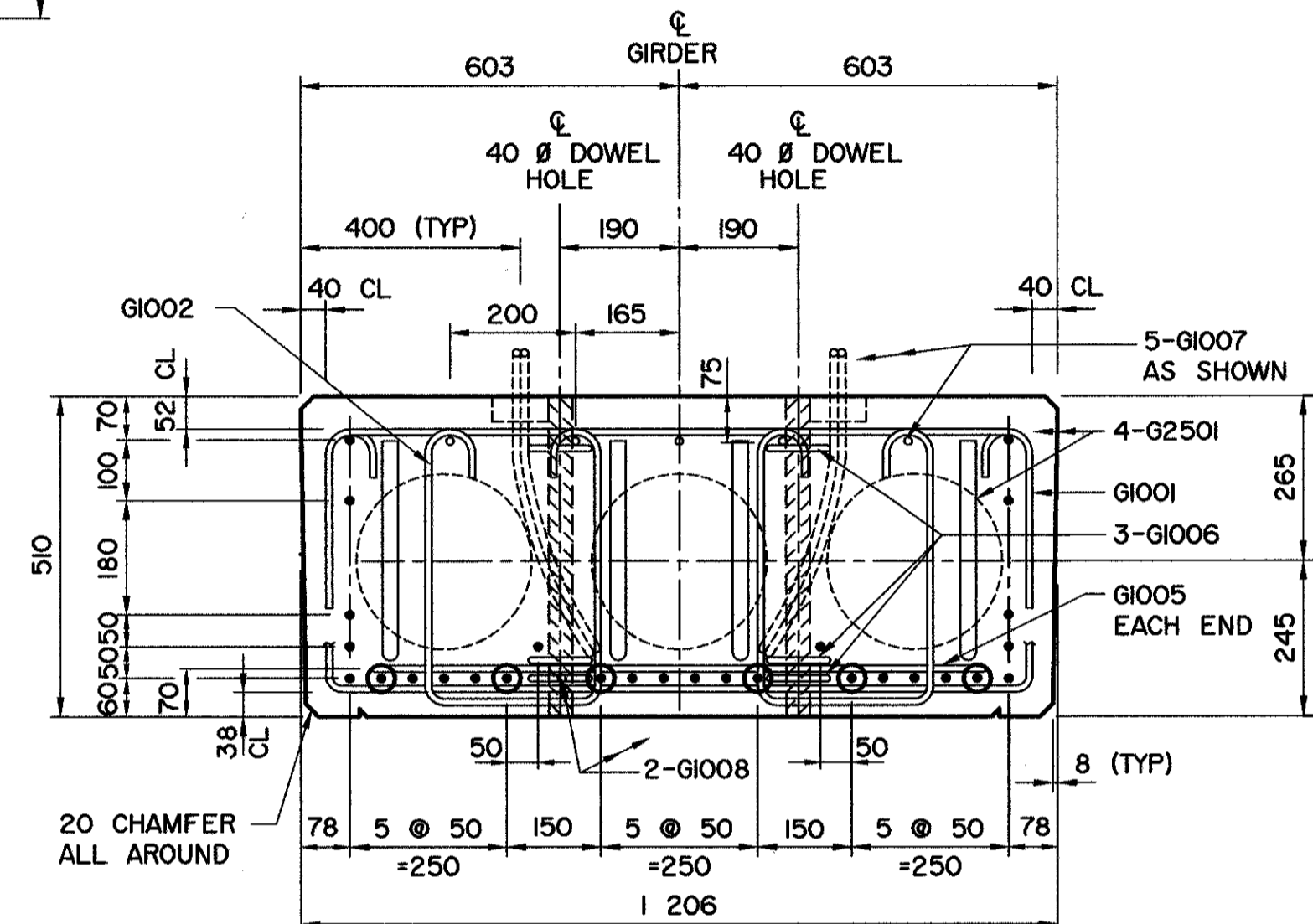
NOTE:  
BEND REINFORCING BAR WHERE NECESSARY TO  
ACCOMMODATE CHANNEL CONNECTORS. STIRRUP  
SPACING TO BE MAINTAINED.



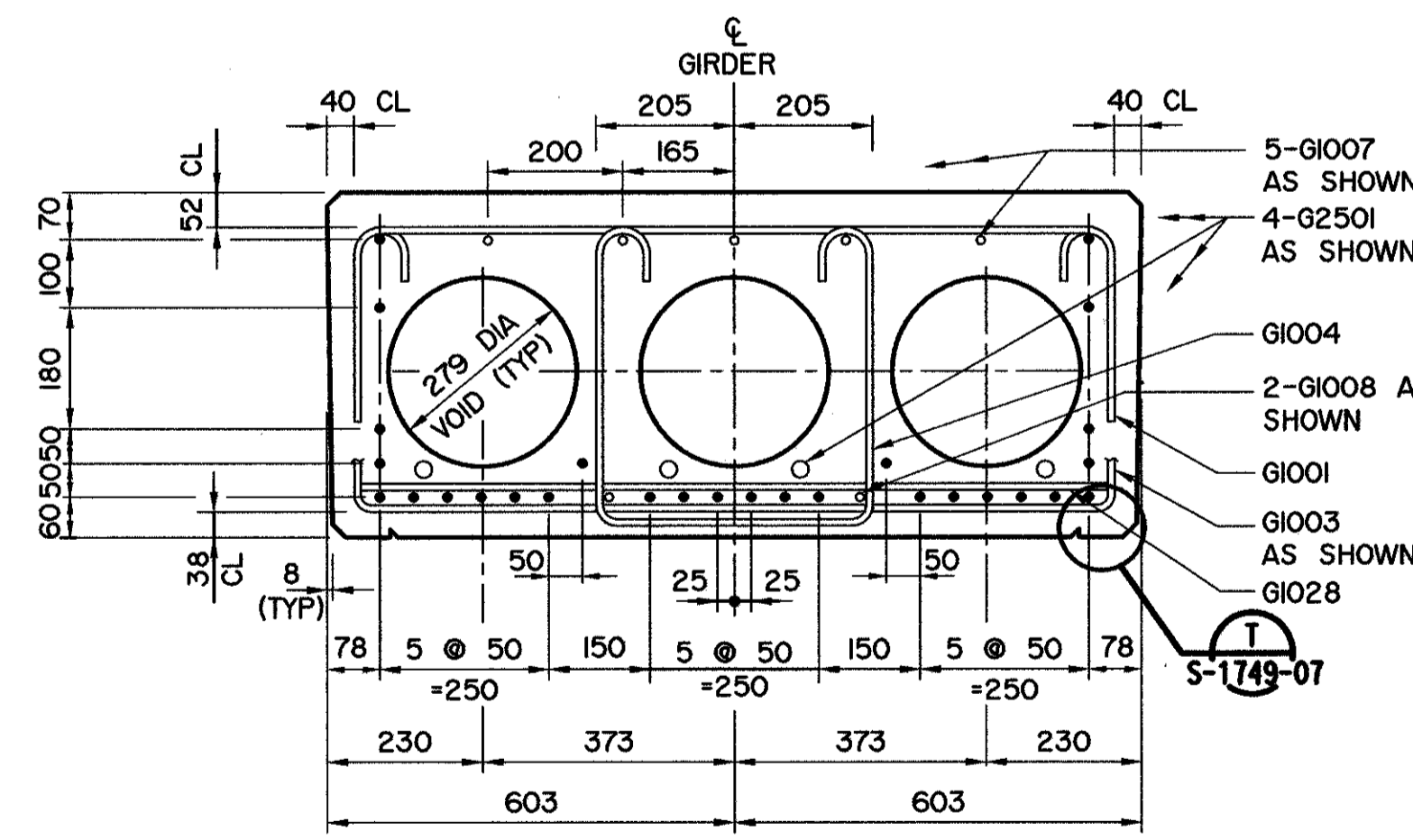
**REINFORCEMENT PLAN**  
1:15



**ELEVATION**  
1:15



**A SECTION**  
1:10



**B SECTION**  
1:10

**GENERAL NOTES**

- FOR ADDITIONAL NOTES, REFER TO DWG S-1749-07.
- 28-15 Ø 7 WIRE STRANDS REQUIRED PER GIRDER.
- STRANDS MARKED ⊙ ARE TO BE DEBONDED FOR 1800 mm FROM THE GIRDER ENDS.
- FORCE IN PRESTRESSING STEEL:  
INITIAL TENSION BEFORE RELEASE = 195 kN/STRAND  
DESIGN LOAD AFTER LOSSES = 130.6 kN/STRAND
- ALLOWABLE TENSION IN BOTTOM FIBRE AT MIDSPAN = 2.09 MPa
- CALCULATED MASS OF ONE GIRDER = 15.21 TONNES

• WORK THESE DRAWINGS TOGETHER : S-1731-07, S-1732-07 AND S-1749-07

 BPTec - DNW Engineering Ltd. Suite 200, 4220-98 St Edmonton, AB T6E 6A1 Ph: (780) 436-5376 Fax: (780) 435-4843 www.bptec-dnw.com 555-46	PERMIT TO PRACTICE BPTec-DNW ENGINEERING LTD. Signature: [Signature] Date: September 1, 2007 PERMIT NUMBER: PO132 The Association of Professional Engineers Geologists and Geophysicists of Alberta	DESIGNER  DATE:	CHECKER  DATE:	REVISIONS REV   DATE   REVISIONS   BY	RECOMMENDED DIRECTOR BRIDGE ENGINEERING  APPROVED EXECUTIVE DIRECTOR TECHNICAL STANDARDS BRANCH  DATE: Sept 11, 2007	Alberta INFRASTRUCTURE AND TRANSPORTATION PRESTRESSED CONCRETE 14 m TYPE SL-510 INTERIOR GIRDER AI BAR CODE   DATE   SHEET   DRAWING   2007-09-01   1 of 3   S-1731-07
	DATE: _____ REVISIONS: _____ BY: _____					