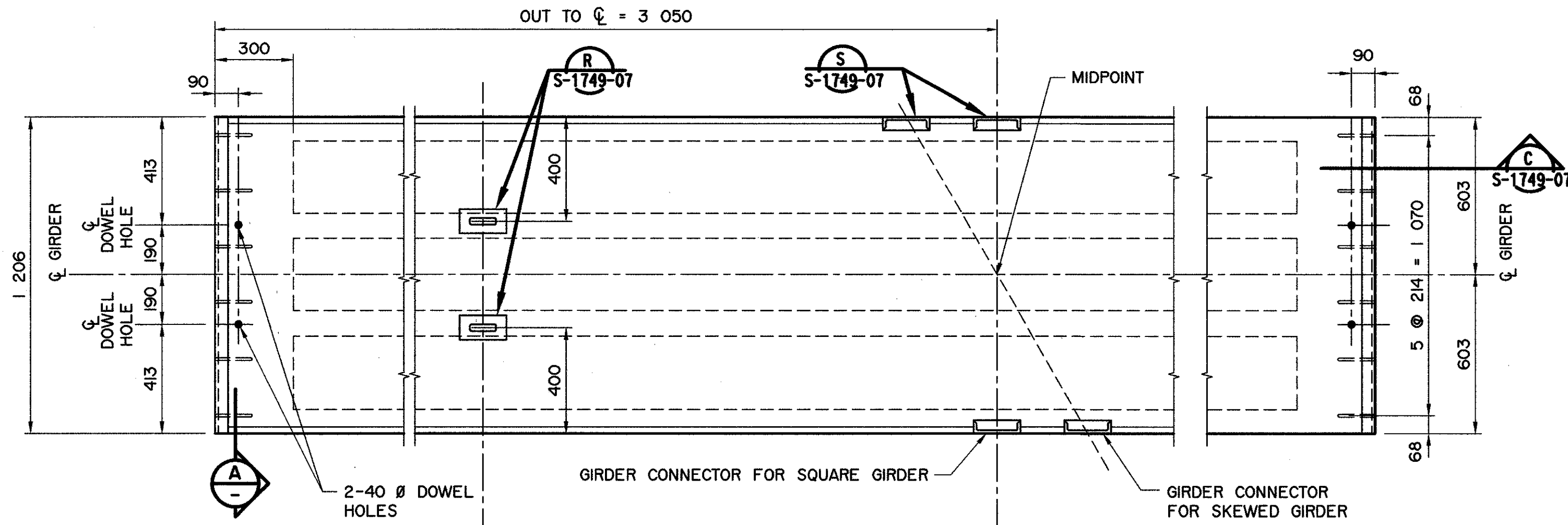


NOTE: FOR SKEWED END REINFORCING BAR DETAILS
SEE DWG S-1734-07

BAR LIST: FOR SQUARE GIRDER							
MARK	SIZE	No.	TYPE	X	Y	LENGTH	MASS
G1001	10	29	A	1 125	300	1 725	39
G1002	10	8	B	280		1 380	9
G1003	10	28	B	1 125		2 225	49
G1004	10	24	B	410		1 510	28
G1005	10	2	A	1 000	300	1 600	3
G1006	10	12	D			1 075	10
G1007	10	5	STR			6 000	24
G1008	10	2	STR			5 900	9

TOTAL PLAIN kg: 171

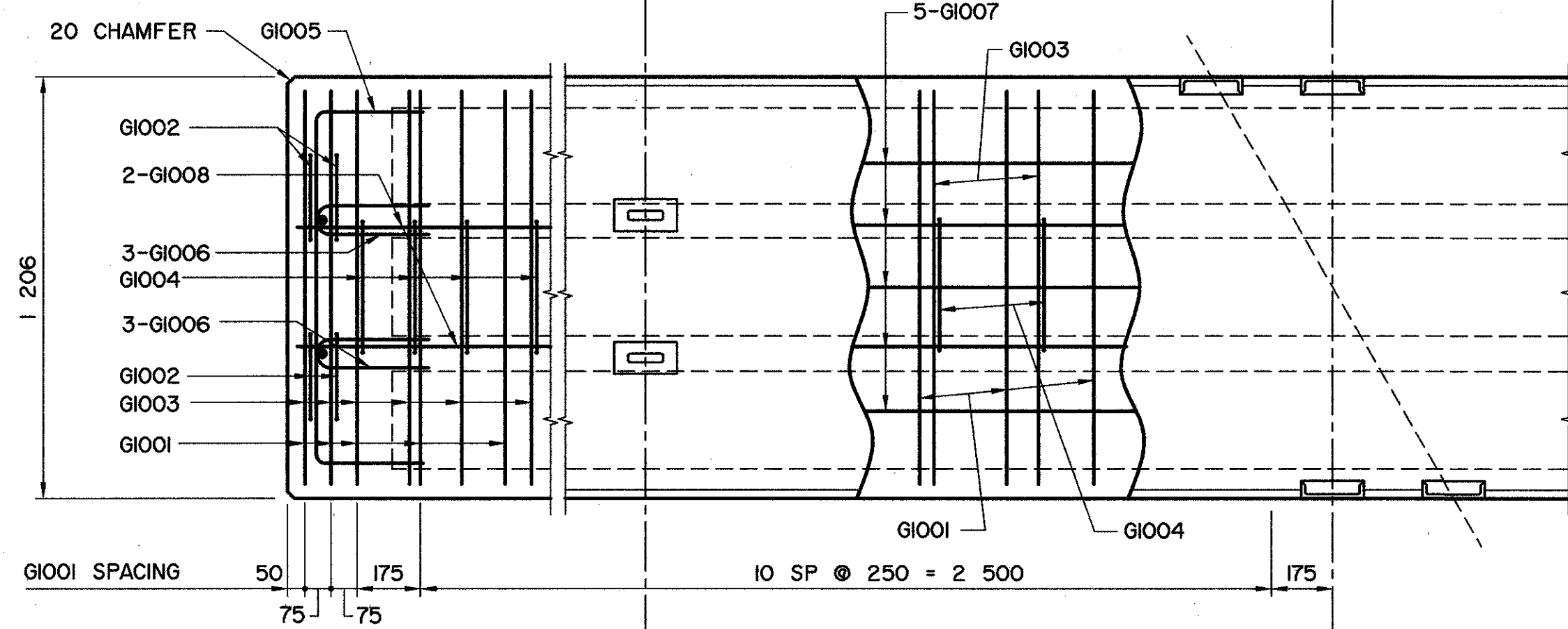


PLAN VIEW
1:15

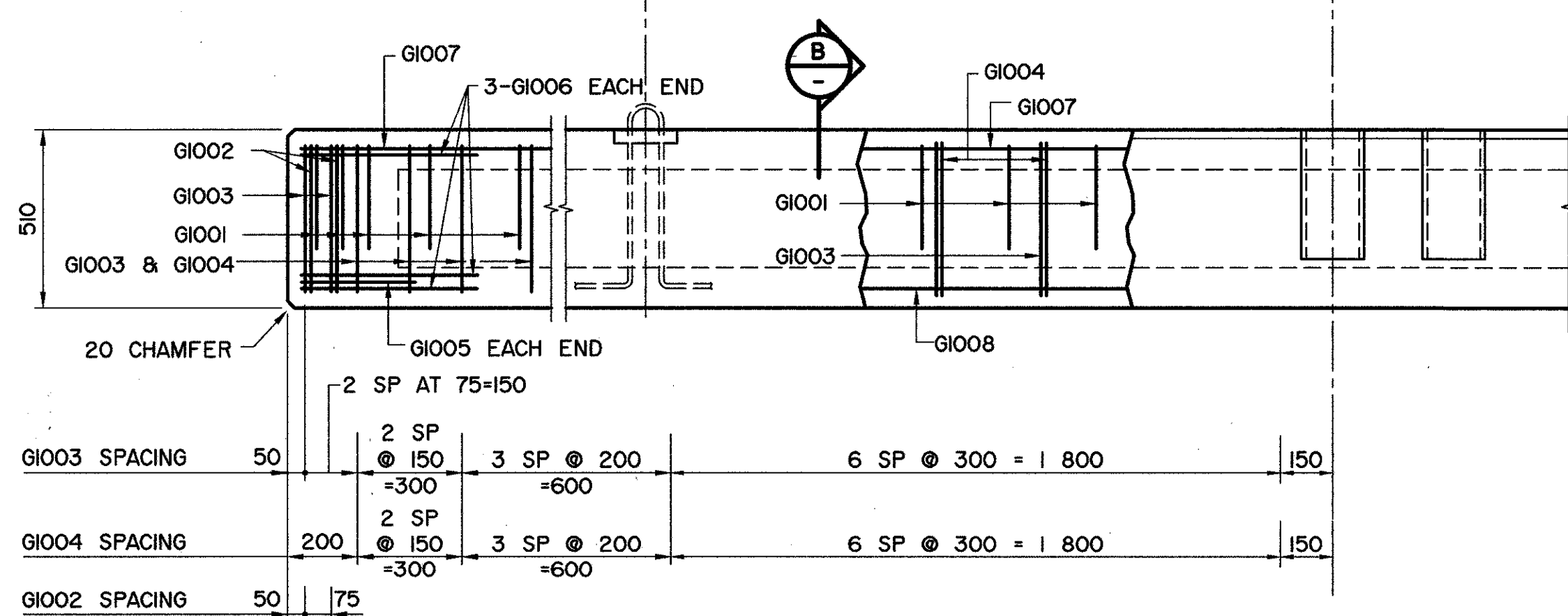
NOTE:
BEND REINFORCING BAR WHERE NECESSARY TO
ACCOMMODATE CHANNEL CONNECTORS. STIRRUP
SPACING TO BE MAINTAINED.

LIFTING
STRANDS

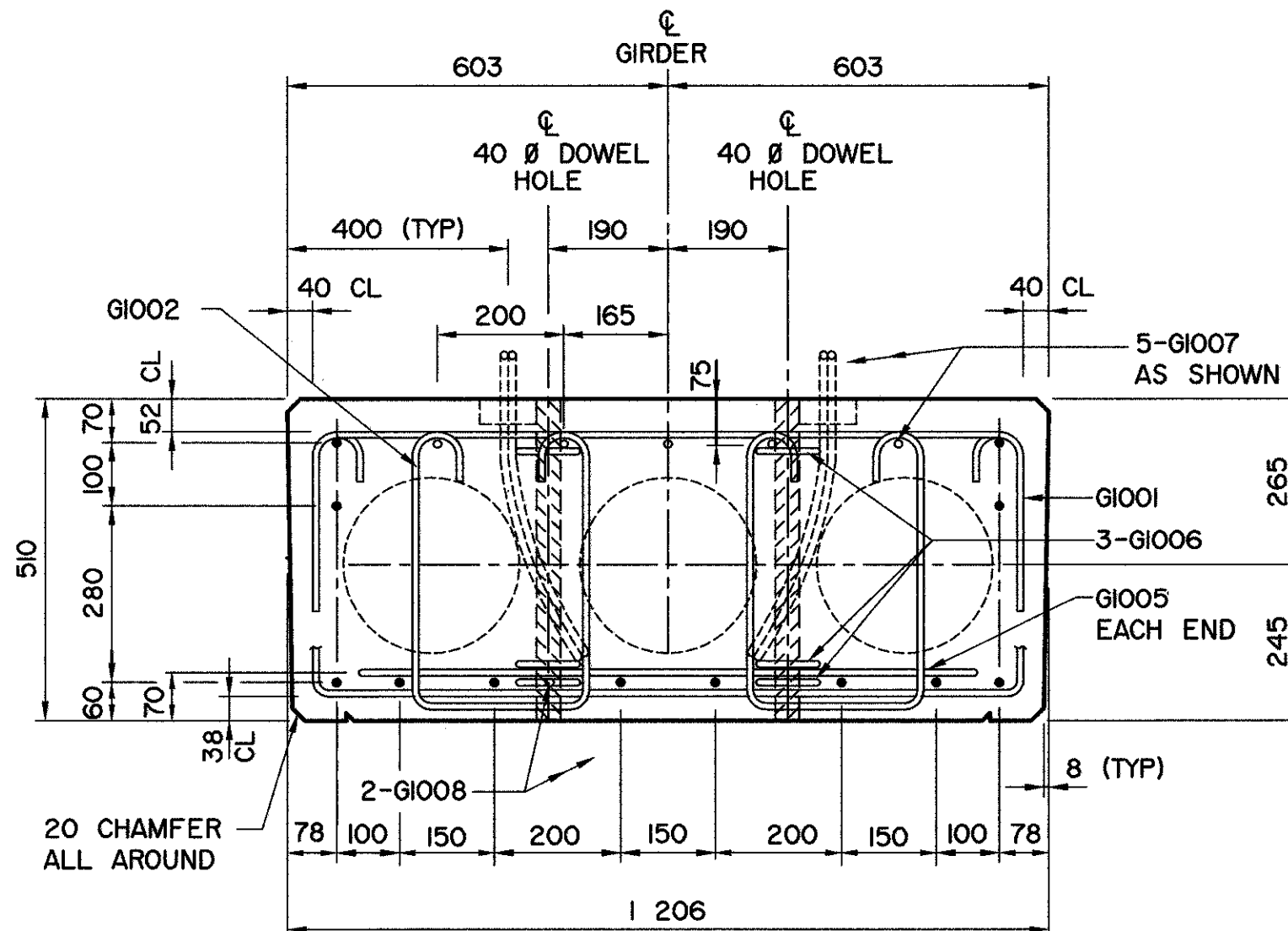
EXCEPT AS NOTED



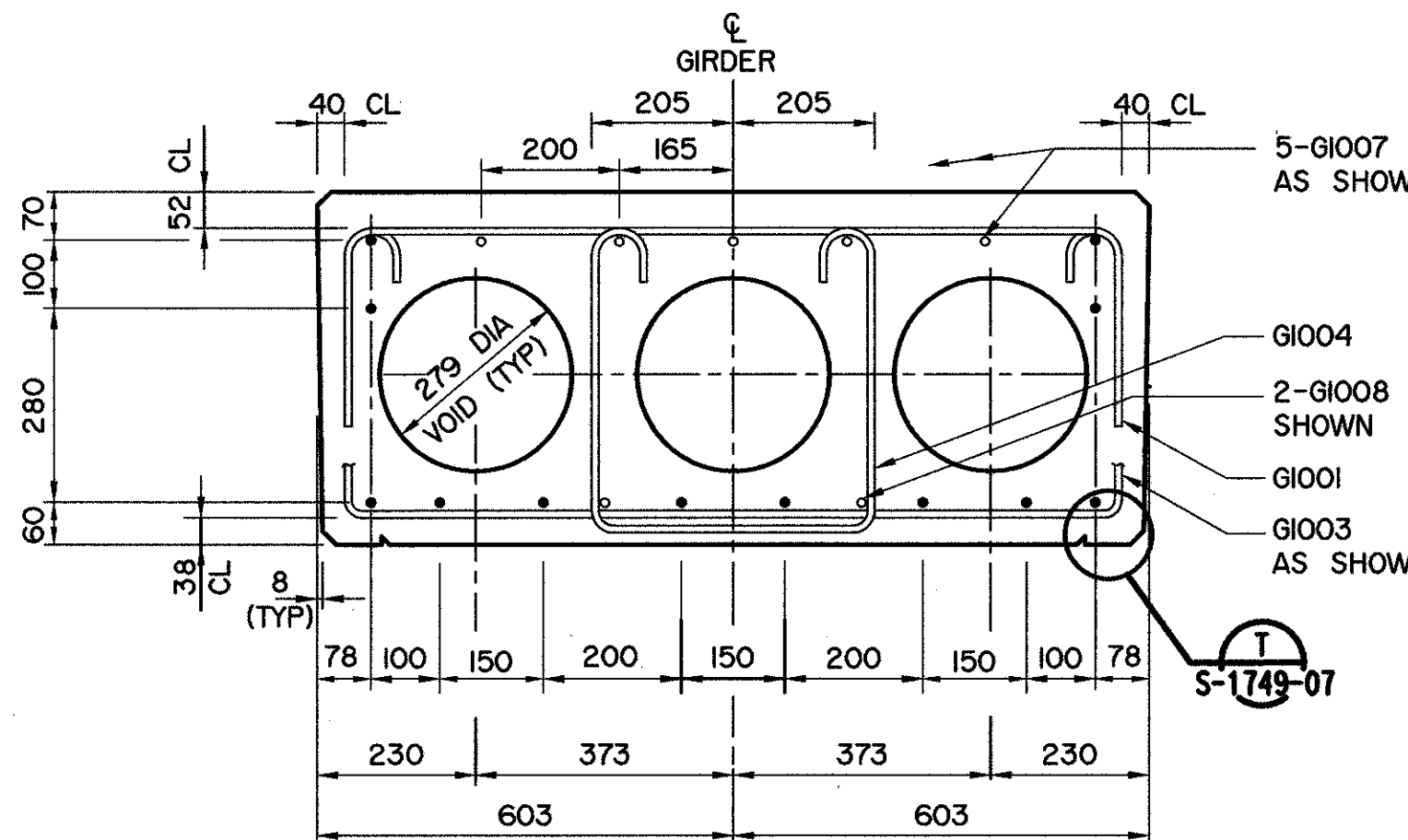
REINFORCEMENT PLAN
1:15



ELEVATION
1:15



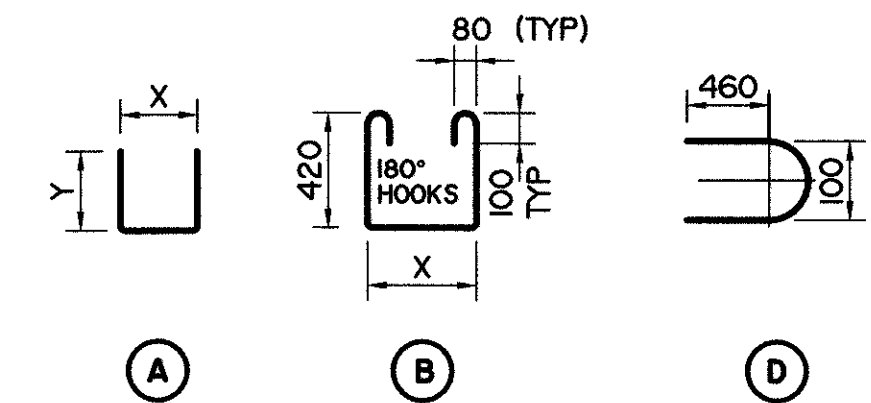
SECTION A
1:10



SECTION B
1:10

BAR TYPES

(ALL BAR DIMENSIONS ARE OUT TO OUT)



GENERAL NOTES

- FOR ADDITIONAL NOTES, REFER TO DWG S-1749-07.
- 12-15 Ø 7 WIRE STRANDS REQUIRED PER GIRDER.
- FORCE IN PRESTRESSING STEEL:
INITIAL TENSION BEFORE RELEASE = 195 kN/STRAND
DESIGN LOAD AFTER LOSSES = 158 kN/STRAND
- CALCULATED MASS OF ONE GIRDER = 6.8 TONNES

• WORK THESE DRAWINGS TOGETHER : S-1733-07, S-1734-07 AND S-1749-07

BPTec - DNW Engineering Ltd.
Suite 200, 4220-98 St
Edmonton, AB T6E 6A1
Ph: (780) 436-5376
Fax: (780) 435-4843
www.bptec-dnw.com
556-46

PERMIT TO PRACTICE
BPTec-DNW ENGINEERING LTD.
Signature: *[Signature]*
Date: August 1, 2007
PERMIT NUMBER: POI32
The Association of Professional Engineers
Geologists and Geophysicists of Alberta

DESIGNER
PROFESSIONAL ENGINEER
ALBERTA
Signature: *[Signature]*
Date: _____

CHECKER
PROFESSIONAL ENGINEER
ALBERTA
Signature: *[Signature]*
Date: _____

REV	DATE	REVISIONS	BY

RECOMMENDED
DIRECTOR BRIDGE ENGINEERING
[Signature]
APPROVED
EXECUTIVE DIRECTOR
TECHNICAL STANDARDS BRANCH
[Signature]
DATE: Sept 17, 2007

Alberta INFRASTRUCTURE AND TRANSPORTATION
PRESTRESSED CONCRETE
6.10 m TYPE SL-510
INTERIOR GIRDER
AI BAR CODE DATE SHEET DRAWING
2007-06-07 1 of 3 S-1733-07