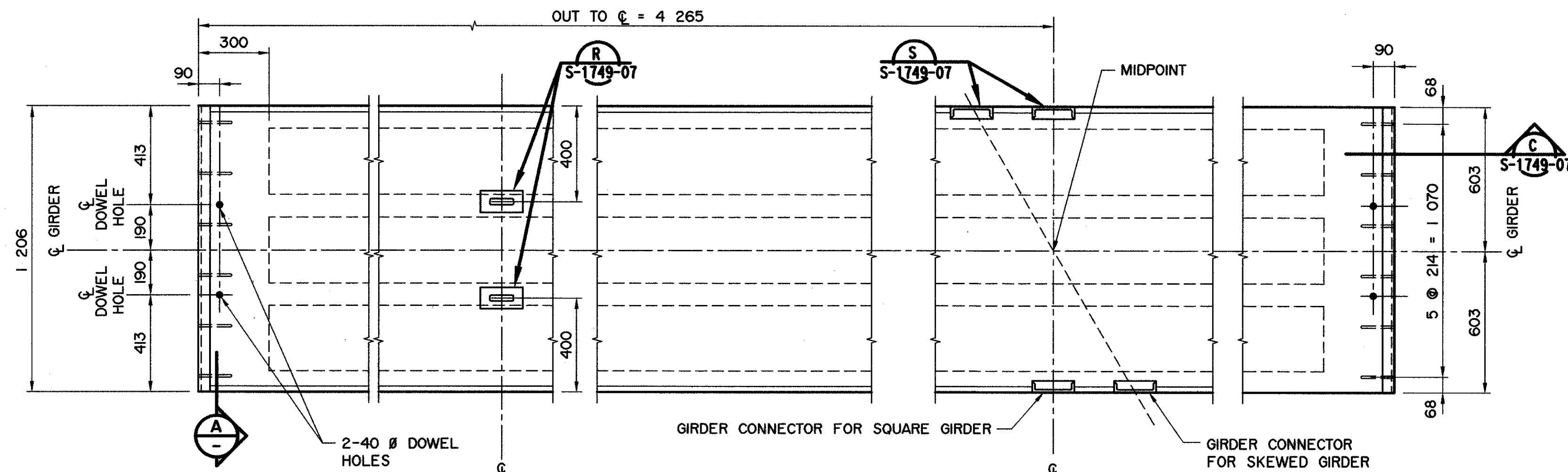


NOTE: FOR SKEWED END REINFORCING BAR DETAILS
SEE DWG S-1736-07

BAR LIST: FOR SQUARE GIRDER

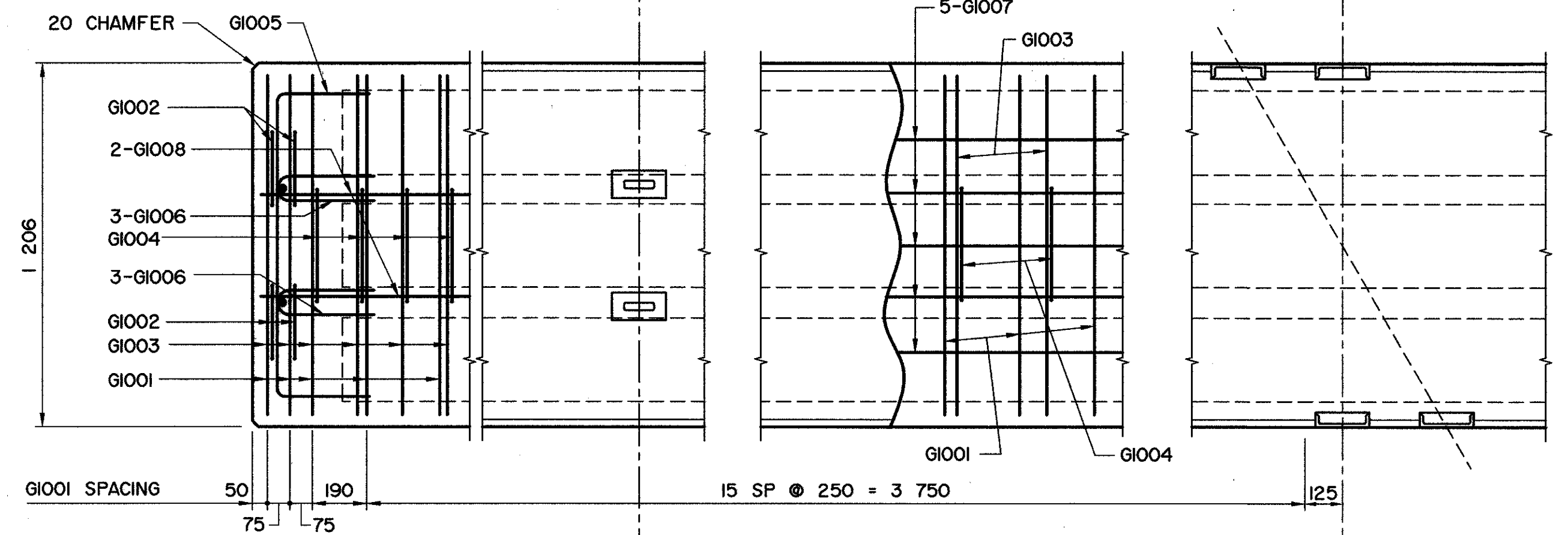
MARK	SIZE	No.	TYPE	X	Y	LENGTH	MASS
G1001	10	38	A	1 125	300	1 725	51
G1002	10	8	B	280		1 380	9
G1003	10	39	B	1 125		2 225	68
G1004	10	35	B	410		1 510	41
G1005	10	2	A	1 000	300	1 600	3
G1006	10	12	D			1 075	10
G1007	10	5	STR			8 430	33
G1008	10	2	STR			8 330	13

TOTAL PLAIN kg: 228

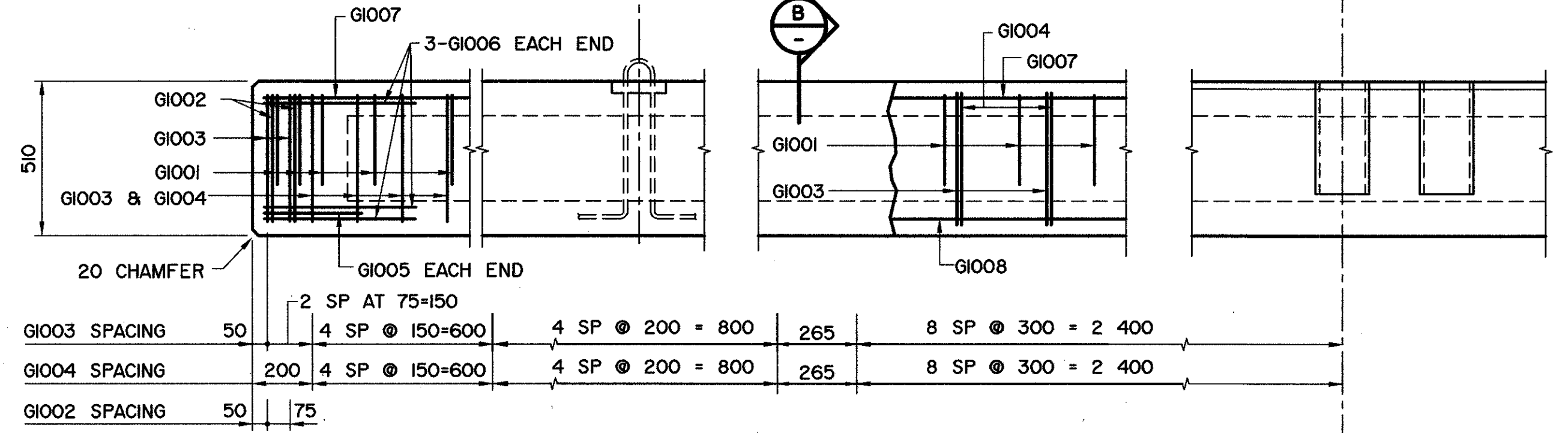


PLAN VIEW
1:15

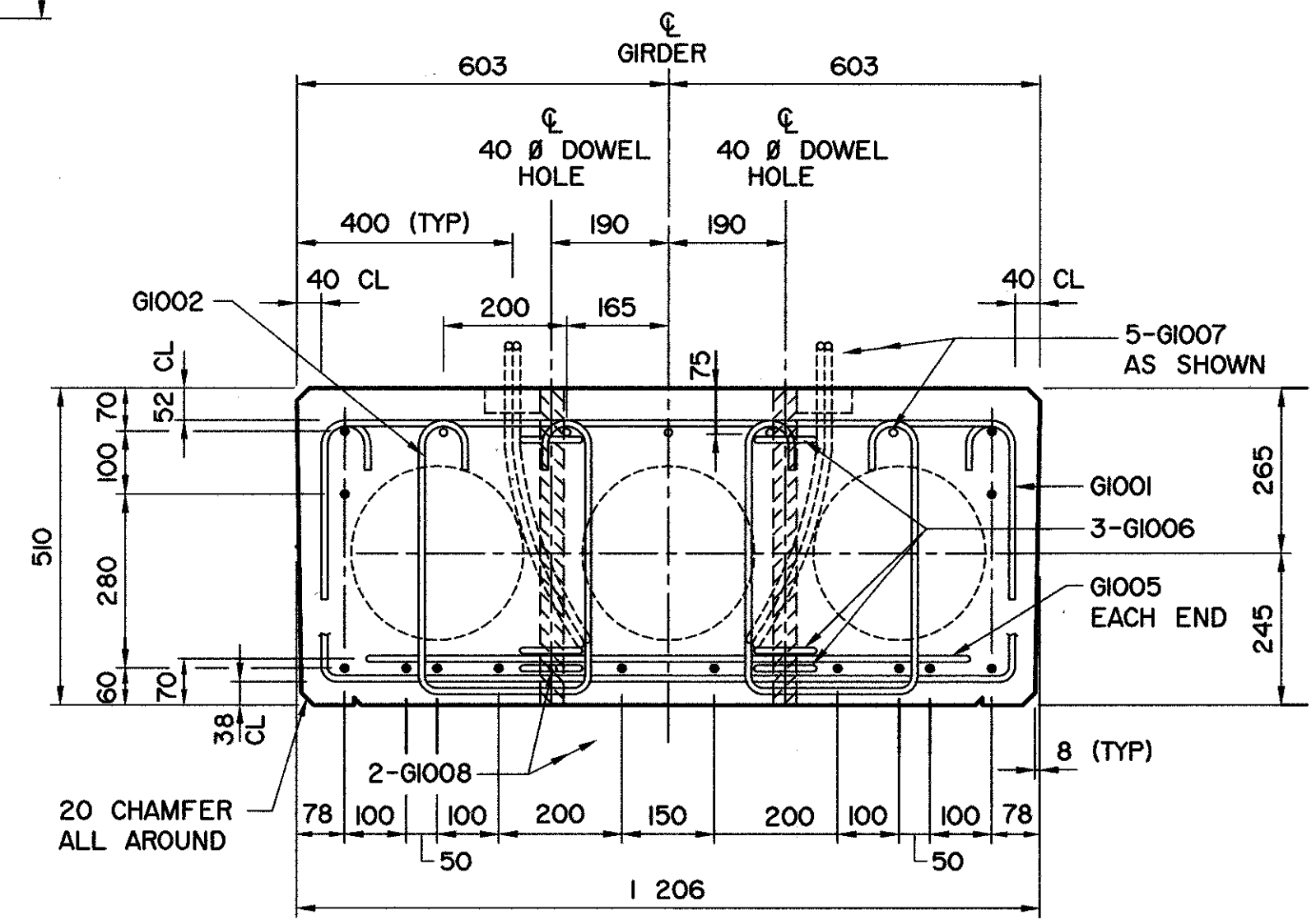
NOTE:
BEND REINFORCING BAR WHERE NECESSARY TO
ACCOMMODATE CHANNEL CONNECTORS. STIRRUP
SPACING TO BE MAINTAINED.



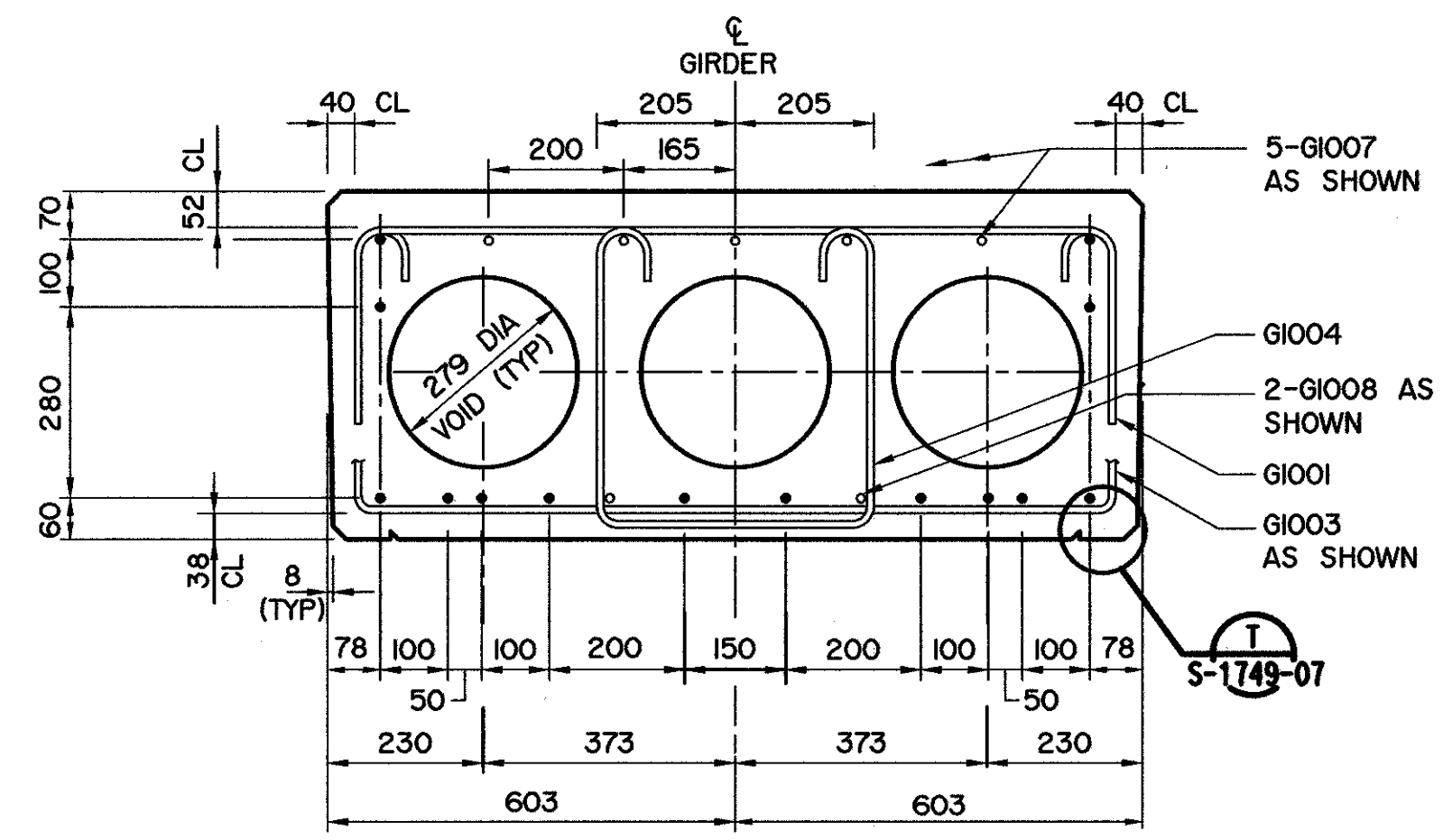
REINFORCEMENT PLAN
1:15



ELEVATION
1:15



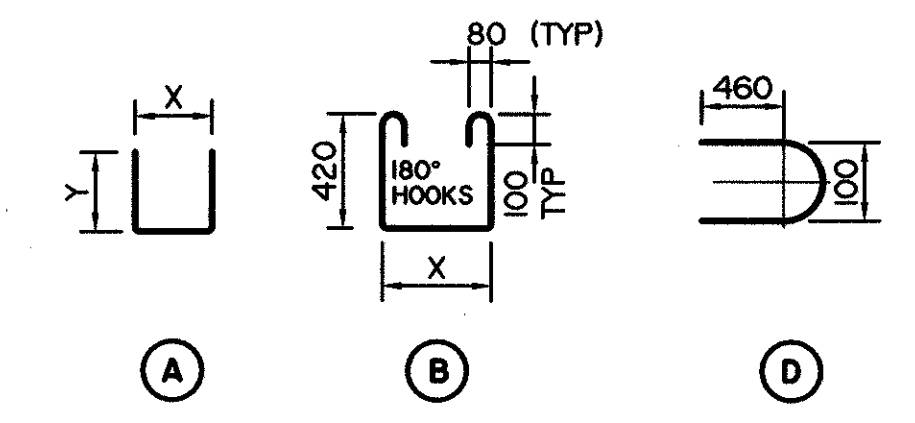
A SECTION
1:10



B SECTION
1:10

BAR TYPES

(ALL BAR DIMENSIONS ARE OUT TO OUT)



GENERAL NOTES

- FOR ADDITIONAL NOTES, REFER TO DWG S-1749-07.
- 14-15 Ø 7 WIRE STRANDS REQUIRED PER GIRDER.
- FORCE IN PRESTRESSING STEEL:
INITIAL TENSION BEFORE RELEASE = 195 kN/STRAND
DESIGN LOAD AFTER LOSSES = 154 kN/STRAND
- CALCULATED MASS OF ONE GIRDER = 9.4 TONNES

• WORK THESE DRAWINGS TOGETHER : S-1735-07, S-1736-07 AND S-1749-07

 BPTec - DNW Engineering Ltd. Suite 200, 4220-98 St Edmonton, AB T6E 6A1 Ph: (780) 436-5376 Fax: (780) 435-4843 www.bptec-dnw.com 556-46	PERMIT TO PRACTICE BPTec-DNW ENGINEERING LTD. Signature: <i>[Signature]</i> Date: August 1, 2007 PERMIT NUMBER: PO132 The Association of Professional Engineers Geologists and Geophysicists of Alberta	DESIGNER CHECKER 	RECOMMENDED DIRECTOR BRIDGE ENGINEERING APPROVED EXECUTIVE DIRECTOR TECHNICAL STANDARDS BRANCH DATE: Sept 17, 2007	Alberta INFRASTRUCTURE AND TRANSPORTATION	
				PRESTRESSED CONCRETE 8.53 m TYPE SL-510 INTERIOR GIRDER	
AI BAR CODE DATE: 2007-06-07 SHEET: 1 of 3 DRAWING: S-1735-07		REV DATE REVISIONS BY			