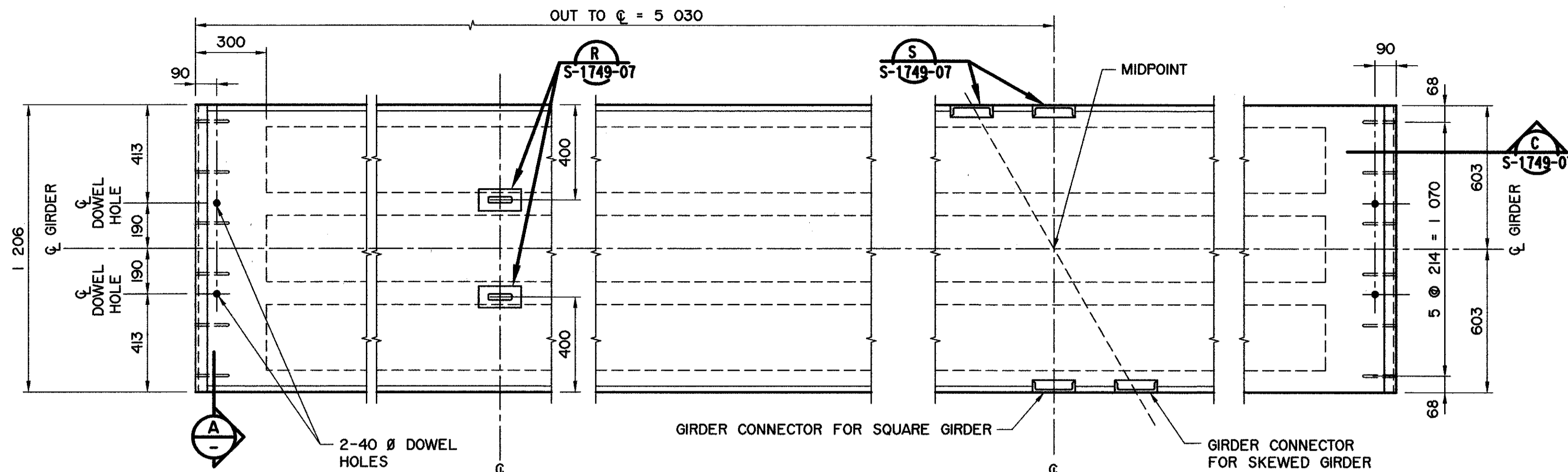


NOTE: FOR SKEWED END REINFORCING BAR DETAILS
SEE DWG S-1740-07

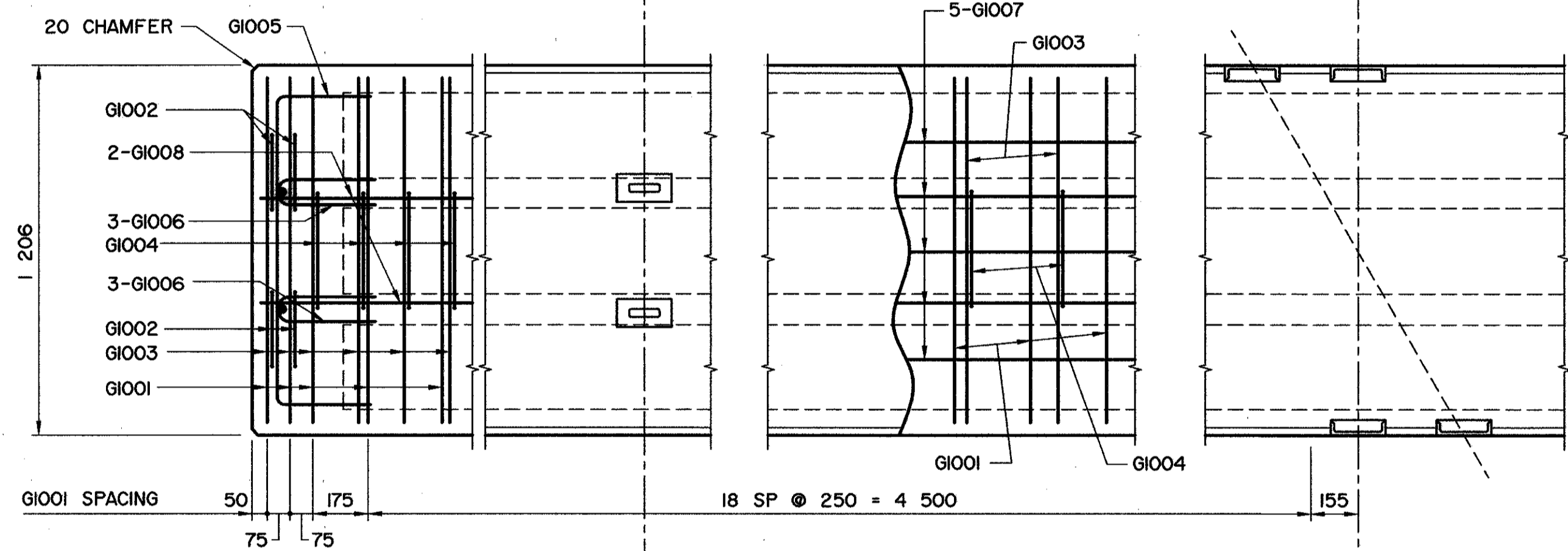
BAR LIST: FOR SQUARE GIRDER							
MARK	SIZE	No.	TYPE	X	Y	LENGTH	MASS
G1001	10	45	A	1 125	300	1 725	61
G1002	10	8	B	280		1 380	9
G1003	10	45	B	1 125		2 225	78
G1004	10	41	B	410		1 510	49
G1005	10	2	A	1 000	300	1 600	3
G1006	10	12	D			1 075	10
G1007	10	5	STR			9 960	39
G1008	10	2	STR			9 860	15
G1028	10	6	STR			1 100	5
G2501	25	4	A	9 910	350	10 610	167

TOTAL PLAIN kg: 436

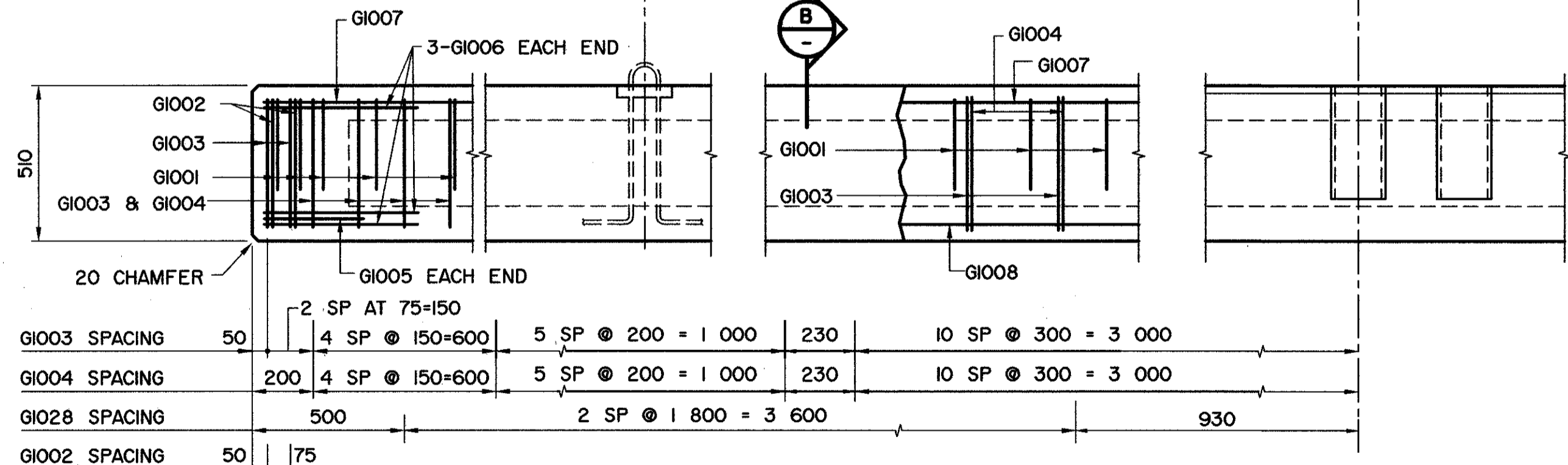


PLAN VIEW
1:15

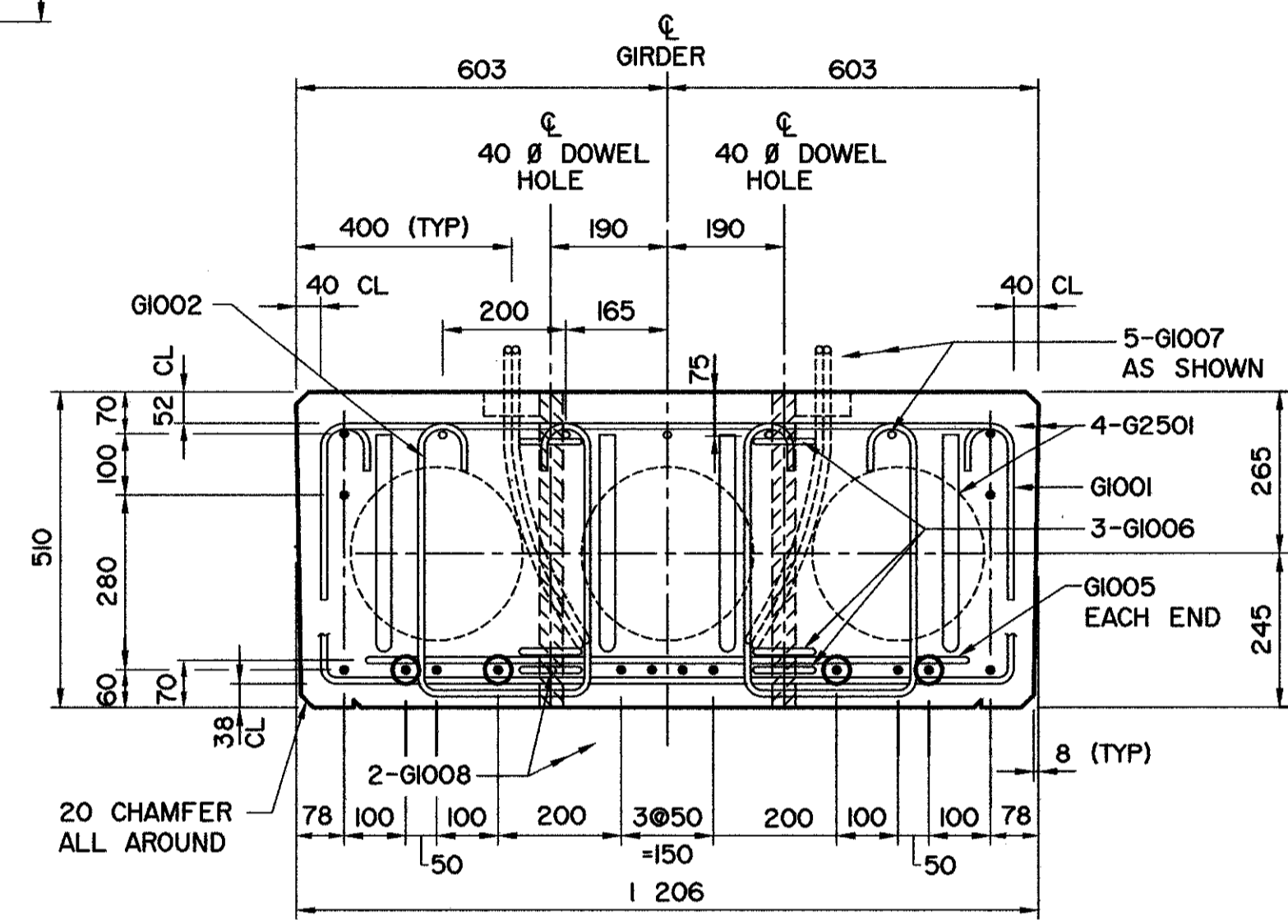
NOTE:
BEND REINFORCING BAR WHERE NECESSARY TO
ACCOMMODATE CHANNEL CONNECTORS. STIRRUP
SPACING TO BE MAINTAINED.



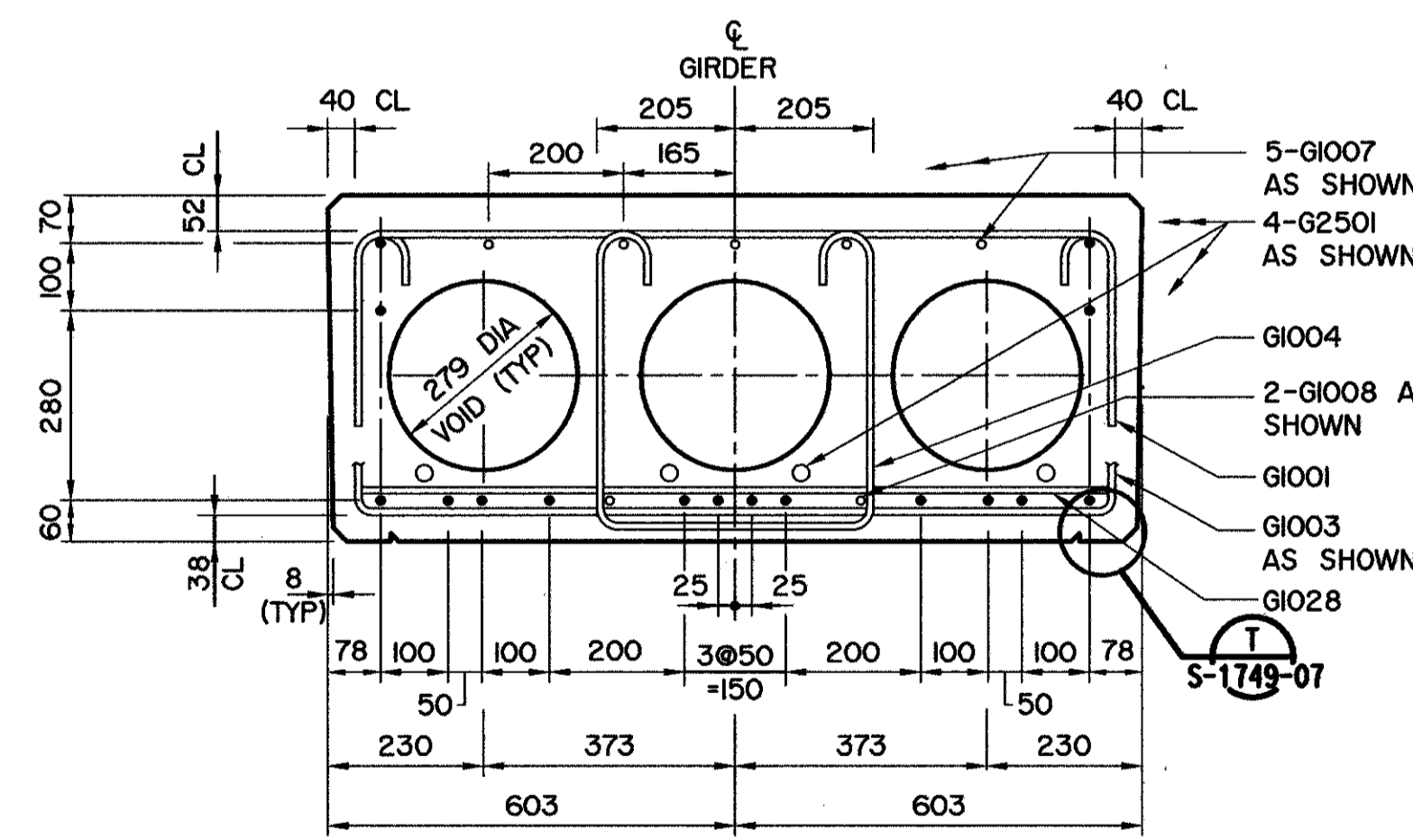
REINFORCEMENT PLAN
1:15



ELEVATION
1:15



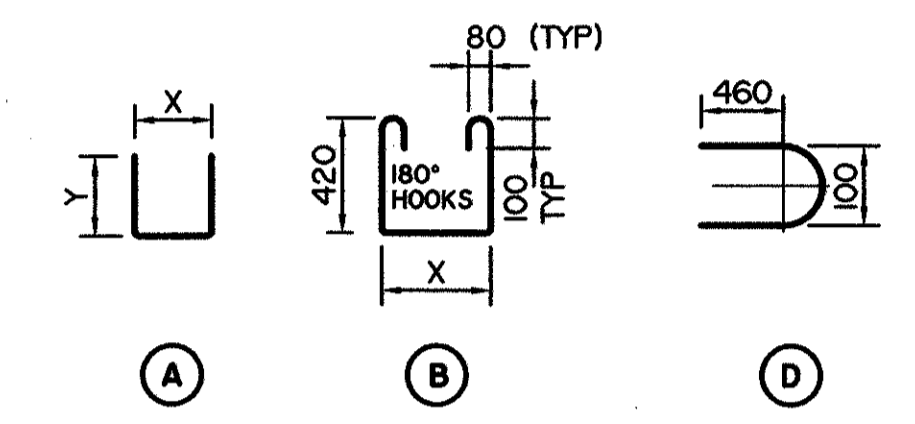
SECTION A-A
1:10



SECTION B-B
1:10

BAR TYPES

(ALL BAR DIMENSIONS ARE OUT TO OUT)



GENERAL NOTES

- FOR ADDITIONAL NOTES, REFER TO DWG S-1749-07.
- 16-15 # 7 WIRE STRANDS REQUIRED PER GIRDER.
- STRANDS MARKED ⊙ ARE TO BE DEBONDED FOR 1000 mm FROM THE GIRDER ENDS.
- FORCE IN PRESTRESSING STEEL:
INITIAL TENSION BEFORE RELEASE = 195 kN/STRAND
DESIGN LOAD AFTER LOSSES = 150 kN/STRAND
- CALCULATED MASS OF ONE GIRDER = 11.0 TONNES

• WORK THESE DRAWINGS TOGETHER : S-1739-07, S-1740-07 AND S-1749-07

 BPTec - DNW Engineering Ltd. Suite 200, 4220-98 St Edmonton, AB T6E 6A1 Ph: (780) 436-5376 Fax: (780) 435-4843 www.bptec-dnw.com 556-46	PERMIT TO PRACTICE BPTec-DNW ENGINEERING LTD. Signature: <i>SAD</i> Date: August 1, 2007 PERMIT NUMBER: POI32 The Association of Professional Engineers Geologists and Geophysicists of Alberta	DESIGNER DATE: _____	CHECKER DATE: _____	REVISIONS 1. _____ 2. _____ 3. _____ 4. _____ 5. _____	APPROVED DIRECTOR BRIDGE ENGINEERING EXECUTIVE DIRECTOR TECHNICAL STANDARDS BRANCH DATE: Sept 17, 2007	RECOMMENDED DIRECTOR BRIDGE ENGINEERING EXECUTIVE DIRECTOR TECHNICAL STANDARDS BRANCH DATE: Sept 17, 2007	Alberta INFRASTRUCTURE AND TRANSPORTATION PRESTRESSED CONCRETE 10.06 m TYPE SL-510 INTERIOR GIRDER AI BAR CODE DATE SHEET DRAWING 2007-06-07 1 of 3 S-1739-07
				REV DATE REVISIONS BY	DATE 2007-06-07	SHEET 1 of 3	DRAWING S-1739-07