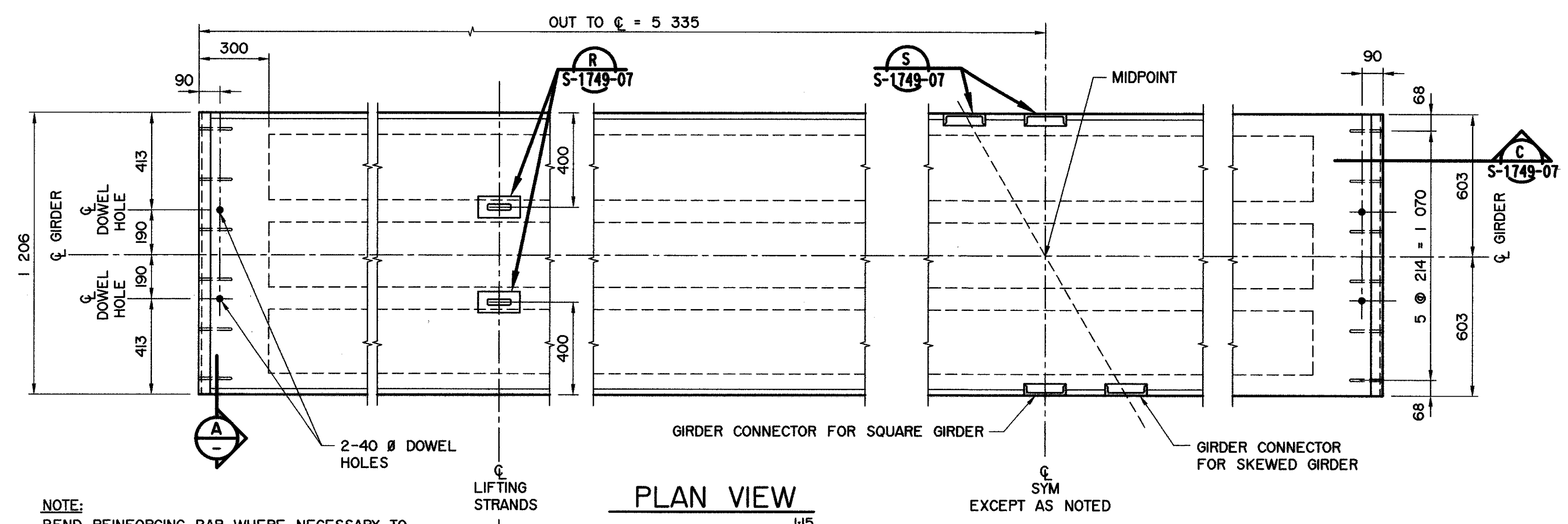


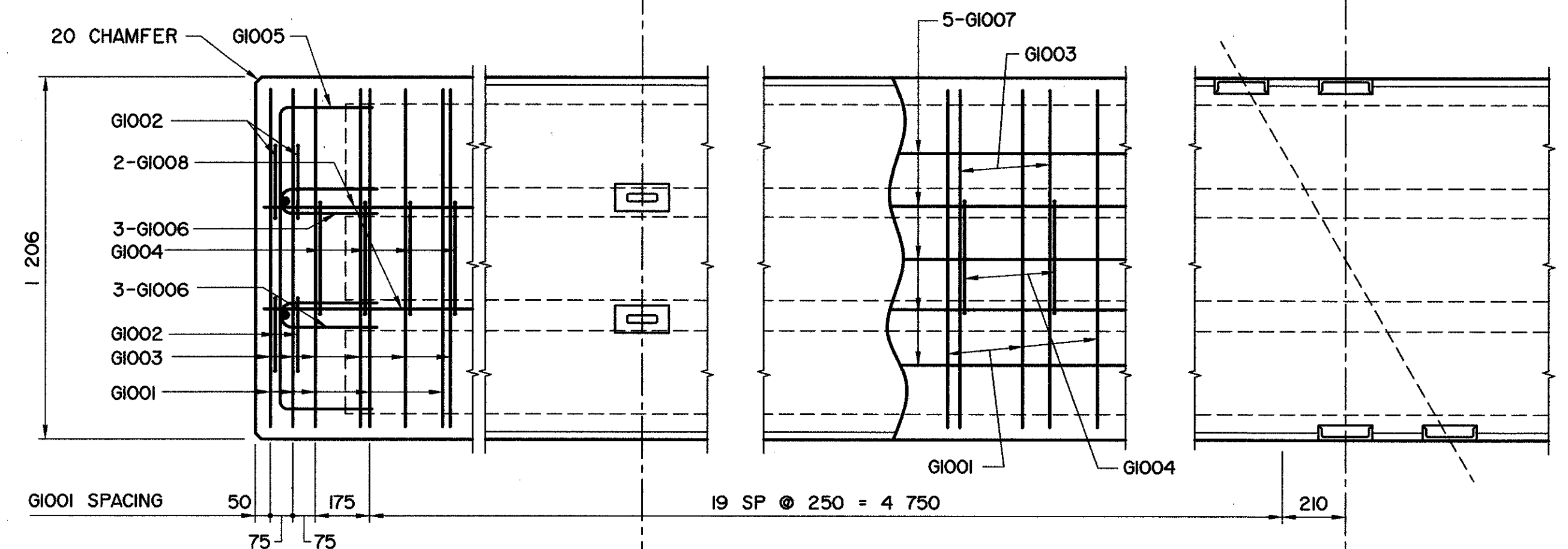
NOTE: FOR SKEWED END REINFORCING BAR DETAILS  
SEE DWG S-1742-07

| BAR LIST: FOR SQUARE GIRDER |      |     |      |        |     |        |      |
|-----------------------------|------|-----|------|--------|-----|--------|------|
| MARK                        | SIZE | No. | TYPE | X      | Y   | LENGTH | MASS |
| G1001                       | 10   | 47  | A    | 1 125  | 300 | 1 725  | 64   |
| G1002                       | 10   | 8   | B    | 280    |     | 1 380  | 9    |
| G1003                       | 10   | 49  | B    | 1 125  |     | 2 225  | 86   |
| G1004                       | 10   | 45  | B    | 410    |     | 1 510  | 53   |
| G1005                       | 10   | 2   | A    | 1 000  | 300 | 1 600  | 3    |
| G1006                       | 10   | 12  | D    |        |     | 1 075  | 10   |
| G1007                       | 10   | 5   | STR  |        |     | 10 570 | 41   |
| G1008                       | 10   | 2   | STR  |        |     | 10 470 | 16   |
| G1028                       | 10   | 6   | STR  |        |     | 1 100  | 5    |
| G2501                       | 25   | 4   | A    | 10 520 | 350 | 11 220 | 176  |
| TOTAL PLAIN kg:             |      |     |      |        |     |        | 463  |

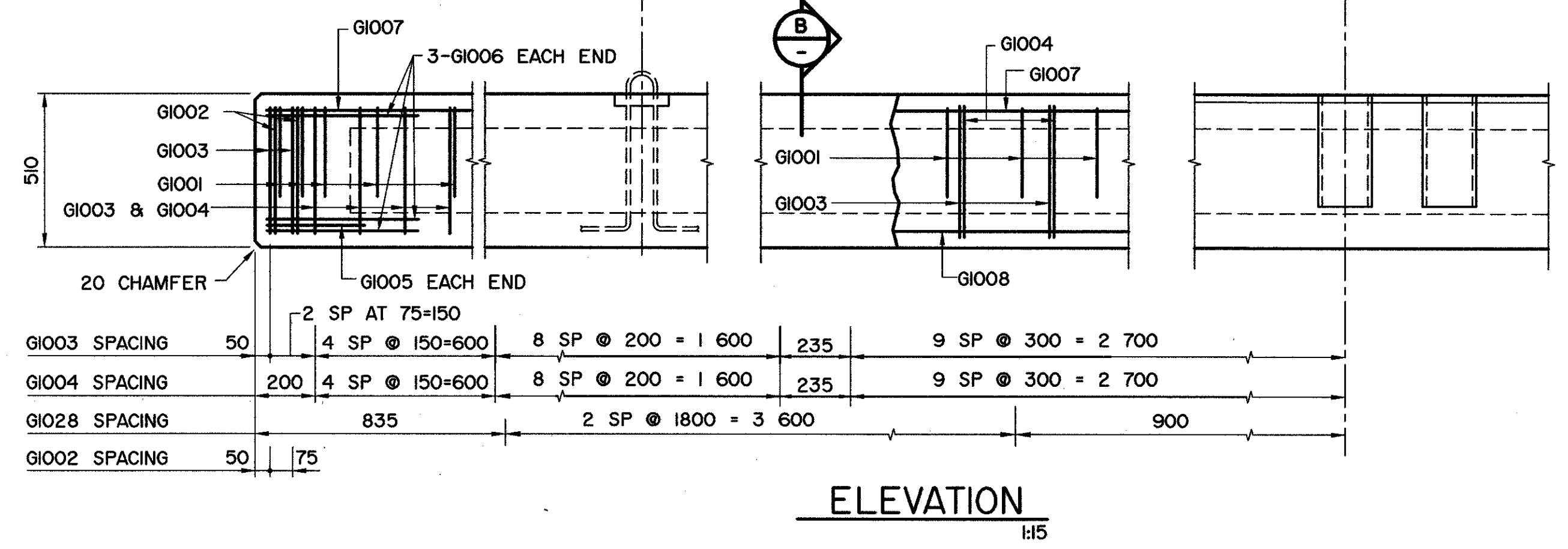


PLAN VIEW  
1:15

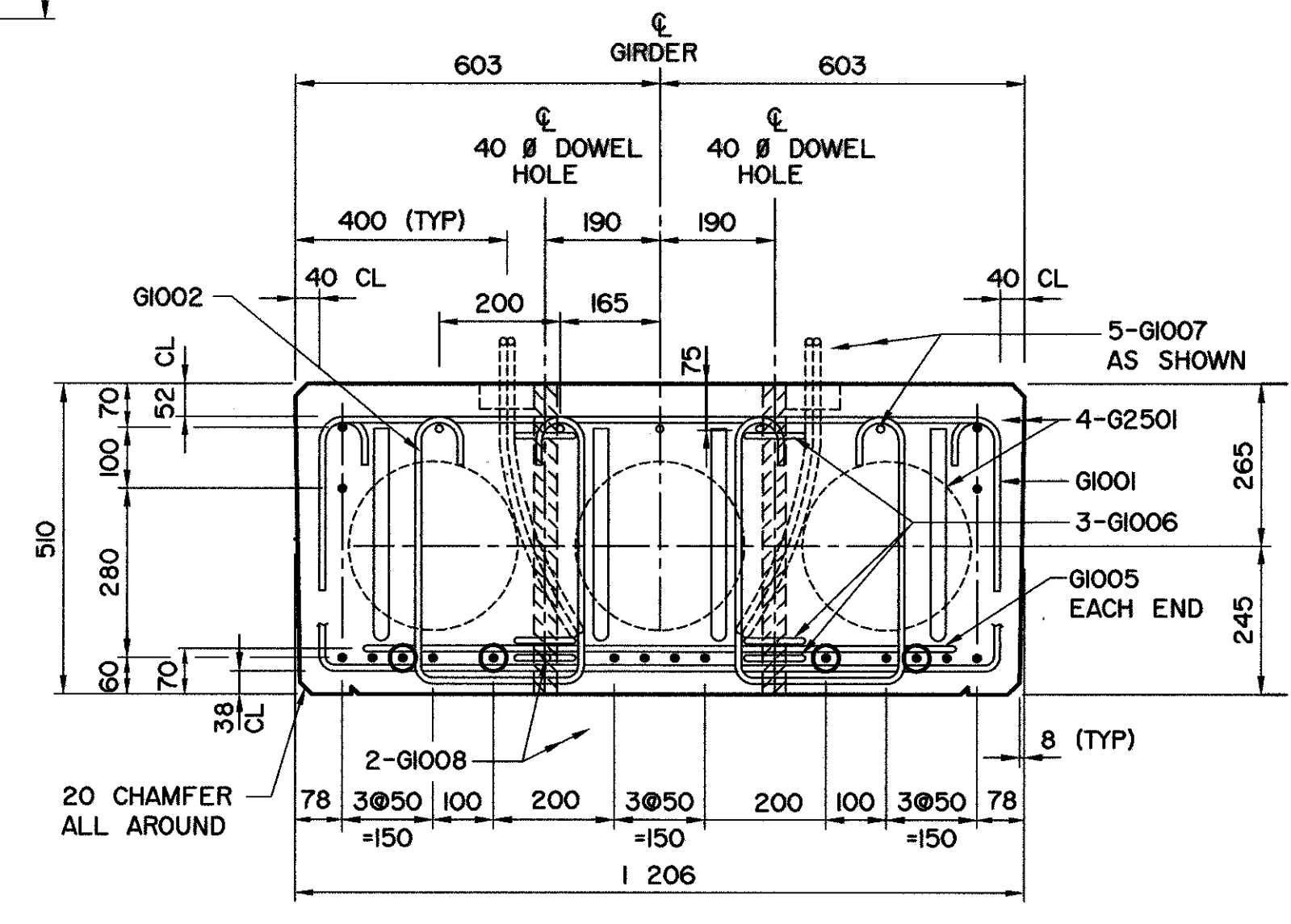
NOTE:  
BEND REINFORCING BAR WHERE NECESSARY TO  
ACCOMMODATE CHANNEL CONNECTORS. STIRRUP  
SPACING TO BE MAINTAINED.



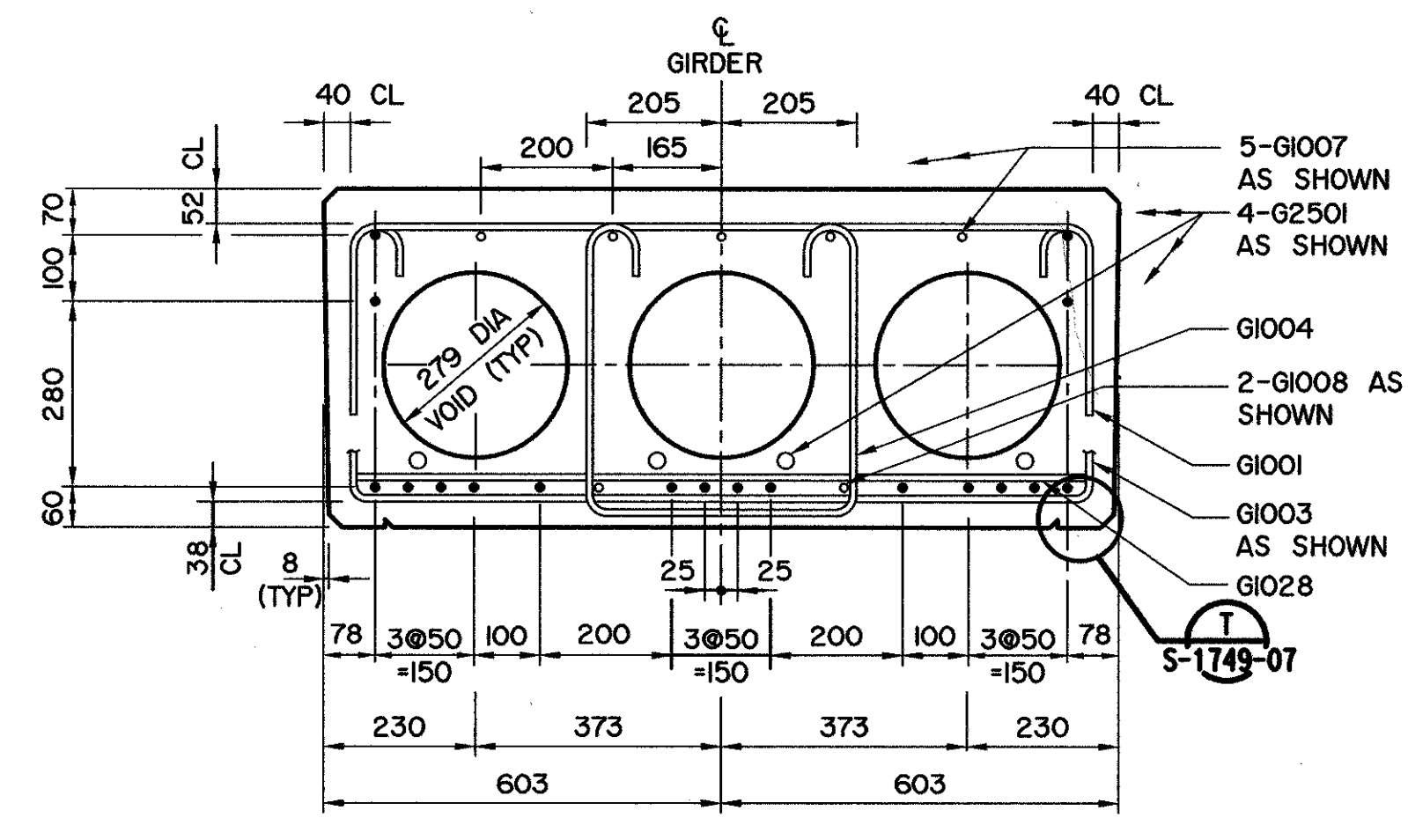
REINFORCEMENT PLAN  
1:15



ELEVATION  
1:15

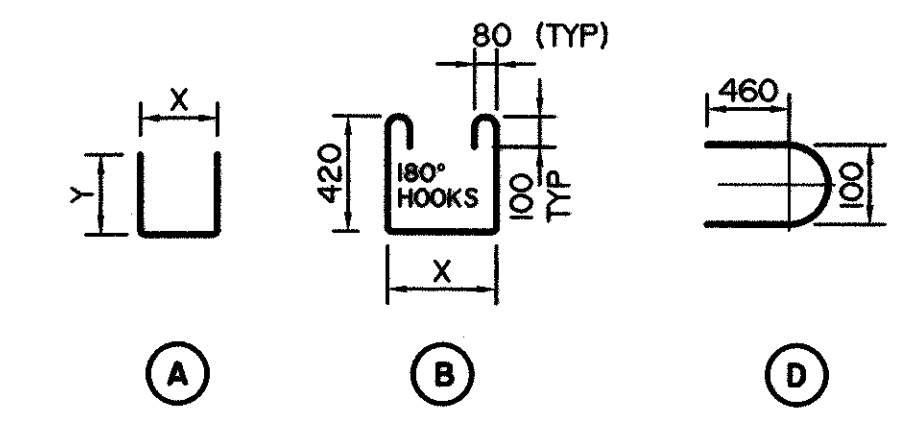


SECTION A  
1:10



SECTION B  
1:10

BAR TYPES  
(ALL BAR DIMENSIONS ARE OUT TO OUT)



- GENERAL NOTES
- FOR ADDITIONAL NOTES, REFER TO DWG S-1749-07.
  - 18-15 Ø 7 WIRE STRANDS REQUIRED PER GIRDER.
  - STRANDS MARKED ⊙ ARE TO BE DEBONDED FOR 1000 mm FROM THE GIRDER ENDS.
  - FORCE IN PRESTRESSING STEEL:  
INITIAL TENSION BEFORE RELEASE = 195 kN/STRAND  
DESIGN LOAD AFTER LOSSES = 146 kN/STRAND
  - CALCULATED MASS OF ONE GIRDER = 11.66 TONNES

WORK THESE DRAWINGS TOGETHER : S-1741-07, S-1742-07 AND S-1749-07

|   |   |  |   |   |
|---|---|--|---|---|
| <br>BPTEC - DNW Engineering Ltd.<br>Suite 200, 4220-98 St<br>Edmonton, AB T6E 6A1<br>Ph: (780) 436-5376<br>Fax: (780) 435-4843<br>www.bptec-dnw.com<br>556-46 | PERMIT TO PRACTICE<br>BPTEC-DNW ENGINEERING LTD.<br>Signature: <i>[Signature]</i><br>Date: August 1, 2007<br>PERMIT NUMBER: PO132<br>The Association of Professional Engineers<br>Geologists and Geophysicists of Alberta | DESIGNER<br><br>CHECKER<br>                                | RECOMMENDED<br>DIRECTOR BRIDGE ENGINEERING<br><i>[Signature]</i><br>APPROVED<br>EXECUTIVE DIRECTOR<br>TECHNICAL STANDARDS BRANCH<br><i>[Signature]</i><br>DATE: Sept 17, 2007 | Alberta INFRASTRUCTURE AND TRANSPORTATION<br>PRESTRESSED CONCRETE<br>10.67 m TYPE SL-510<br>INTERIOR GIRDER |
|   | DATE: _____<br>DATE: _____  | REV: _____<br>DATE: _____<br>REVISIONS: _____<br>BY: _____ | AI BAR CODE: _____<br>DATE: 2007-06-07<br>SHEET: 1 of 3<br>DRAWING: S-1741-07   |   |