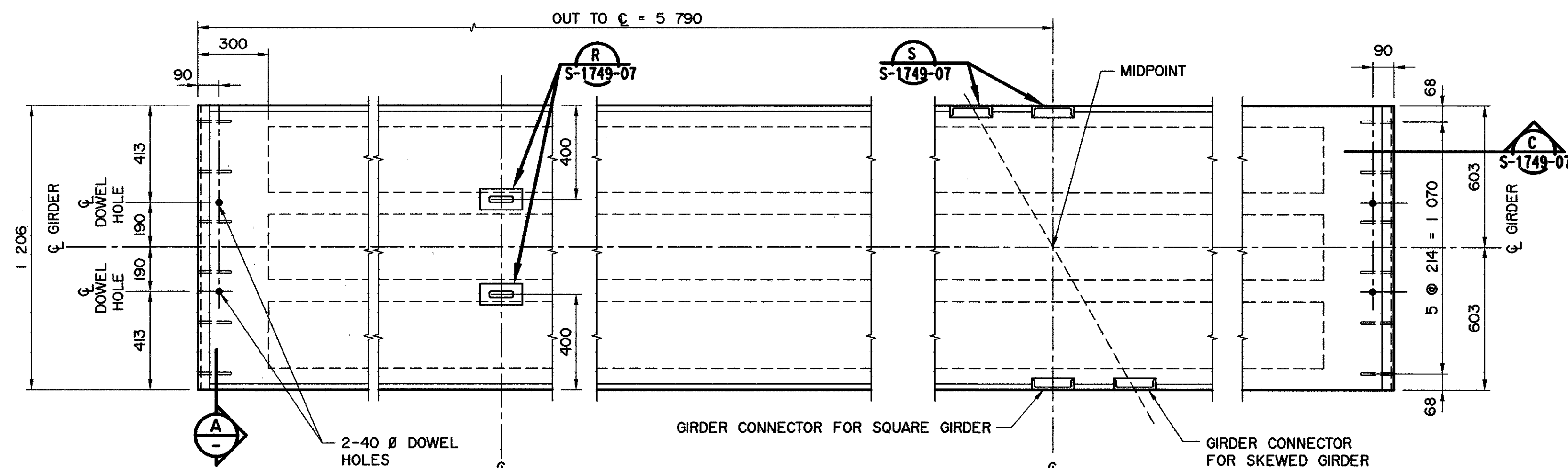


NOTE: FOR SKEWED END REINFORCING BAR DETAILS
SEE DWG S-1744-07

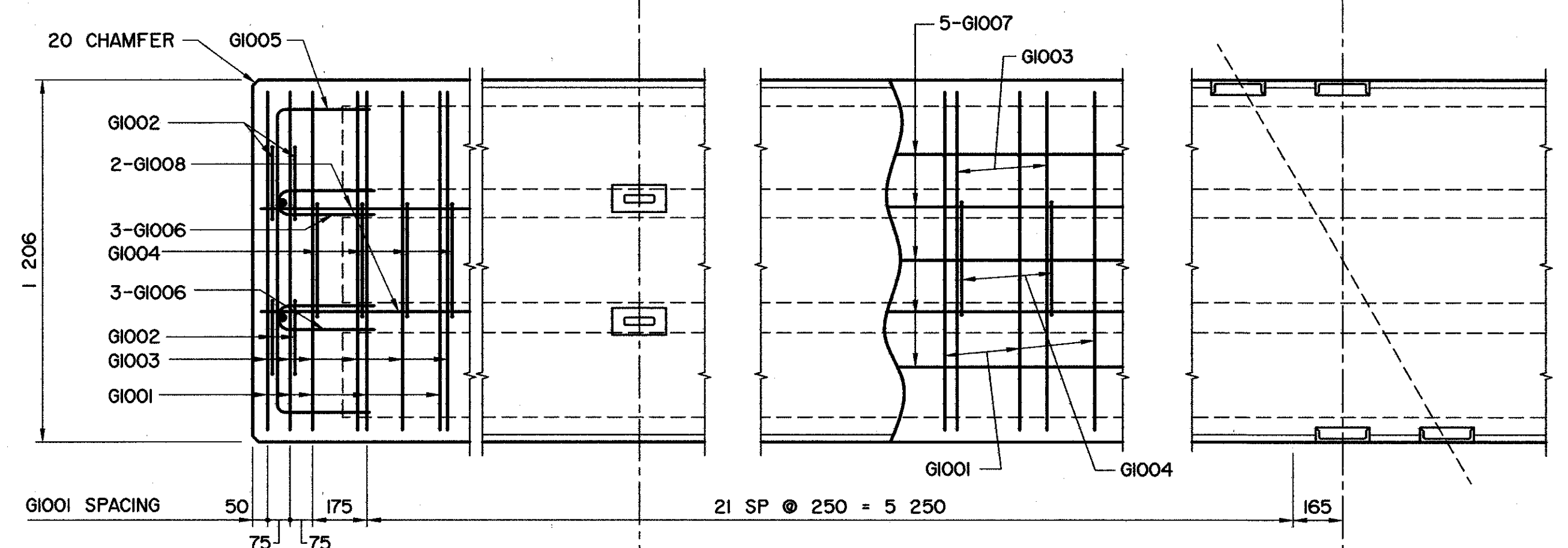
BAR LIST: FOR SQUARE GIRDER							
MARK	SIZE	No.	TYPE	X	Y	LENGTH	MASS
G1001	10	51	A	1 125	300	1 725	69
G1002	10	8	B	280		1 380	9
G1003	10	51	B	1 125		2 225	89
G1004	10	47	B	410		1 510	56
G1005	10	2	A	1 000	300	1 600	3
G1006	10	12	D			1 075	10
G1007	10	5	STR			11 480	45
G1008	10	2	STR			11 380	18
G1028	10	6	STR			1 100	5
G2501	25	4	A	11 430	350	12 130	190

TOTAL PLAIN kg: 494

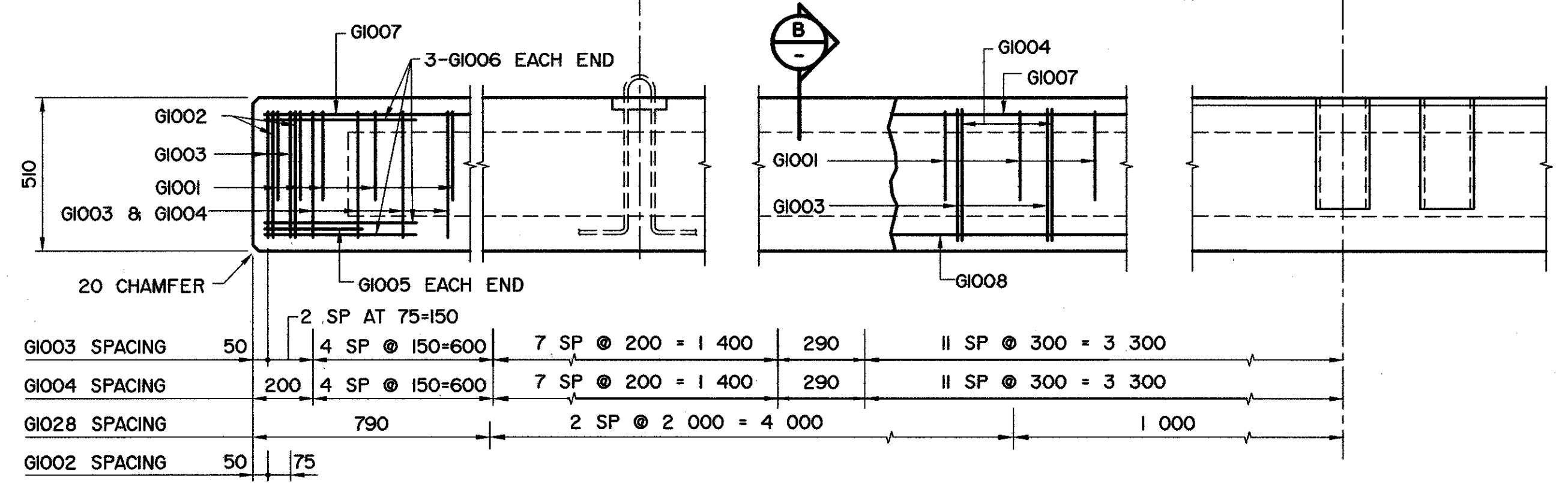


PLAN VIEW
1:15

NOTE:
BEND REINFORCING BAR WHERE NECESSARY TO
ACCOMMODATE CHANNEL CONNECTORS. STIRRUP
SPACING TO BE MAINTAINED.

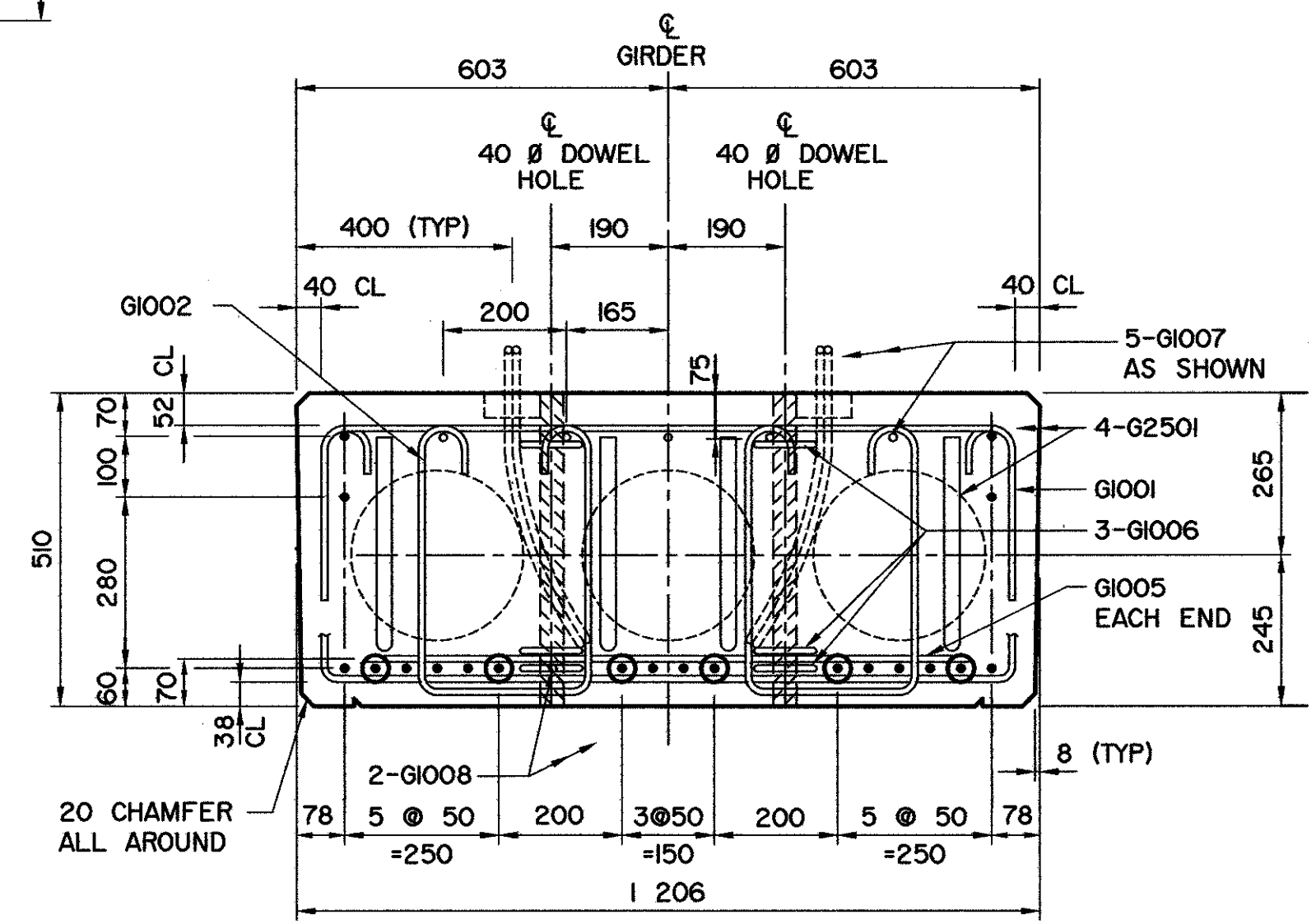


REINFORCEMENT PLAN
1:15

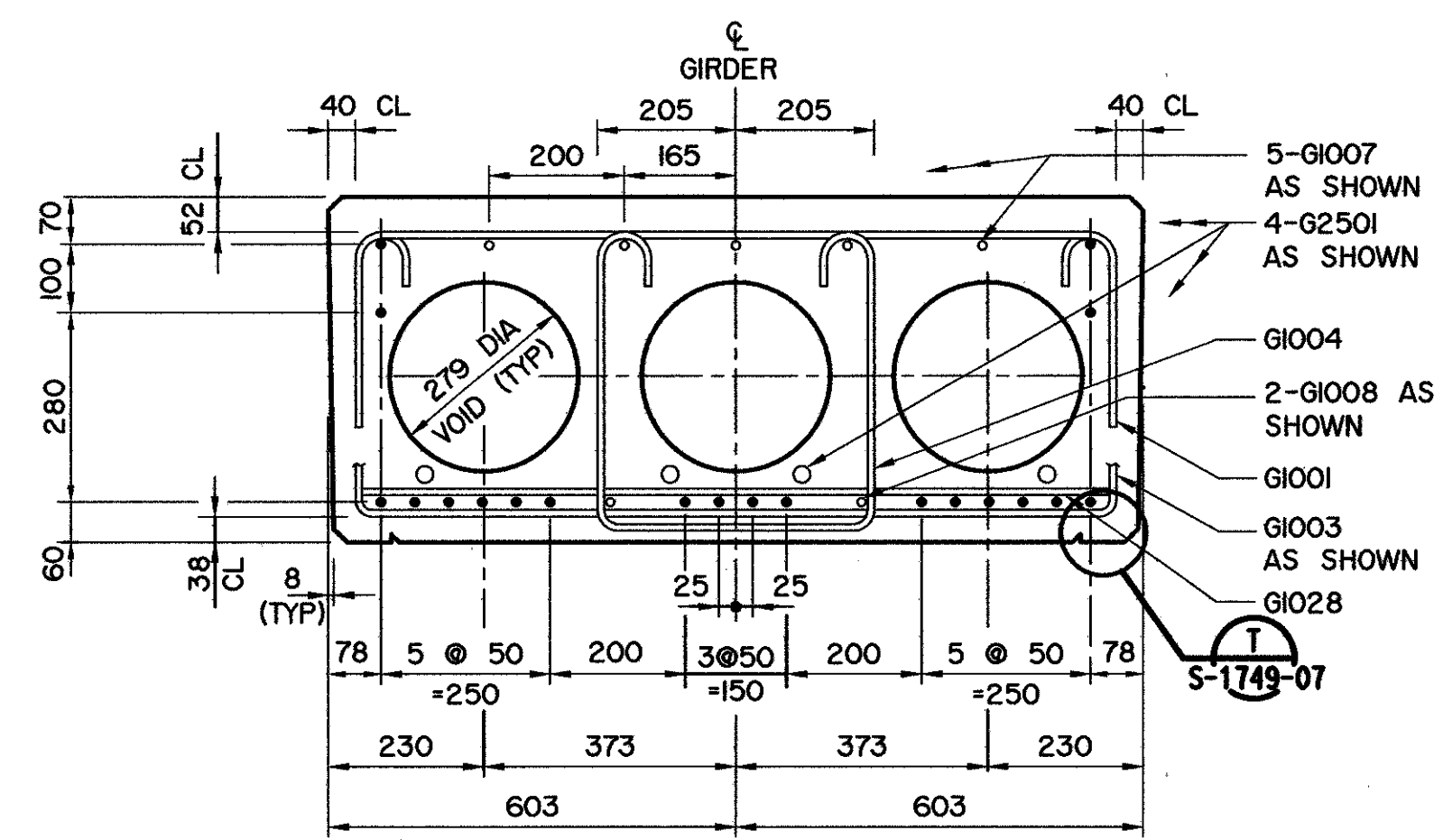


ELEVATION
1:15

G1003 SPACING	50	2 SP AT 75=150	7 SP @ 200 = 1 400	290	11 SP @ 300 = 3 300
G1004 SPACING	200	4 SP @ 150=600	7 SP @ 200 = 1 400	290	11 SP @ 300 = 3 300
G1028 SPACING	790	2 SP @ 2 000 = 4 000			1 000
G1002 SPACING	50				



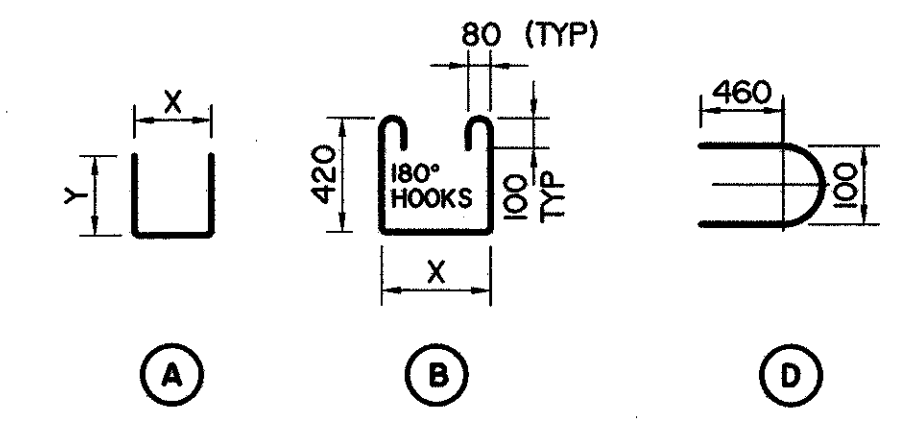
SECTION A-A
1:10



SECTION B-B
1:10

BAR TYPES

(ALL BAR DIMENSIONS ARE OUT TO OUT)



GENERAL NOTES

- FOR ADDITIONAL NOTES, REFER TO DWG S-1749-07.
- 20-15 Ø 7 WIRE STRANDS REQUIRED PER GIRDER.
- STRANDS MARKED ⊙ ARE TO BE DEBONDED FOR 1400 mm FROM THE GIRDER ENDS.
- FORCE IN PRESTRESSING STEEL:
INITIAL TENSION BEFORE RELEASE = 195 kN/STRAND
DESIGN LOAD AFTER LOSSES = 141 kN/STRAND
- CALCULATED MASS OF ONE GIRDER = 12.63 TONNES

• WORK THESE DRAWINGS TOGETHER : S-1743-07, S-1744-07 AND S-1749-07

 BPTec - DNW Engineering Ltd. Suite 200, 4220-98 St. Edm., AB T6E 6A1 Ph: (780) 436-5376 Fax: (780) 435-4843 www.bptec-dnw.com 556-46	PERMIT TO PRACTICE BPTec-DNW ENGINEERING LTD. Signature: <i>[Signature]</i> Date: August 1, 2007 PERMIT NUMBER: P0132 The Association of Professional Engineers Geologists and Geophysicists of Alberta	DESIGNER CHECKER 	RECOMMENDED DIRECTOR BRIDGE ENGINEERING APPROVED EXECUTIVE DIRECTOR TECHNICAL STANDARDS BRANCH DATE: Sept 17, 2007	Alberta INFRASTRUCTURE AND TRANSPORTATION PRESTRESSED CONCRETE 11.58 m TYPE SL-510 INTERIOR GIRDER AI BAR CODE DATE SHEET DRAWING 2007-06-07 1 of 3 S-1743-07
	DATE _____ DATE _____ REV _____ DATE _____ REVISIONS _____ BY _____	DATE _____ DATE _____ REV _____ DATE _____ REVISIONS _____ BY _____	DATE _____ DATE _____ REV _____ DATE _____ REVISIONS _____ BY _____	DATE _____ DATE _____ REV _____ DATE _____ REVISIONS _____ BY _____