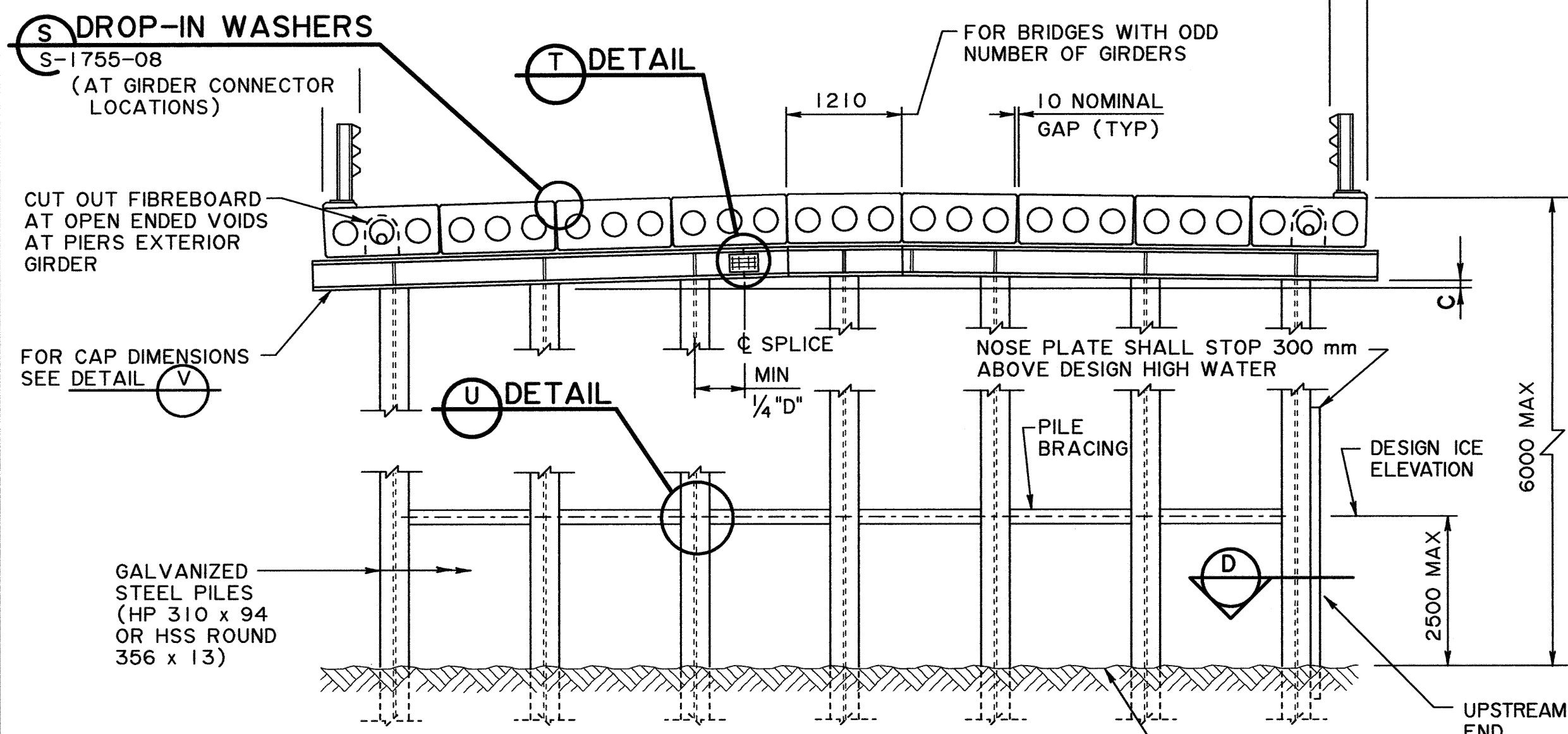
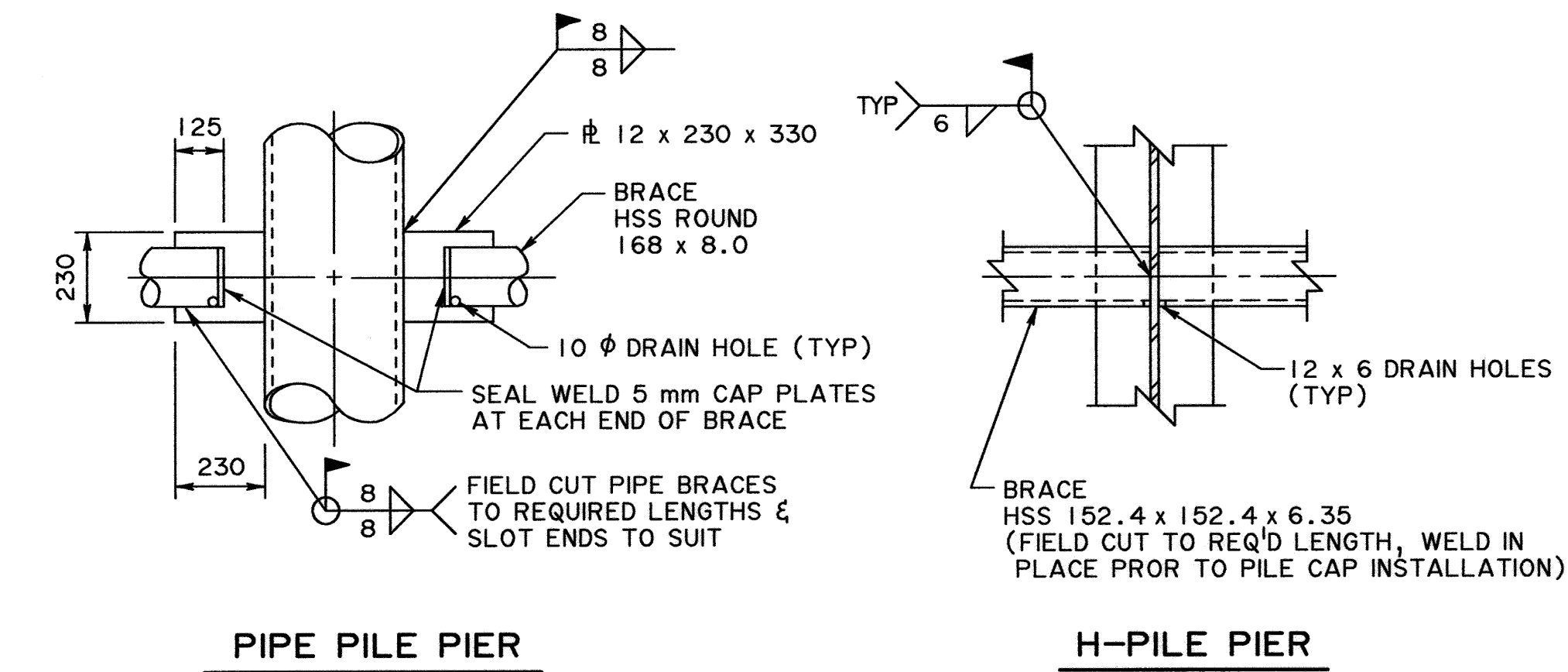
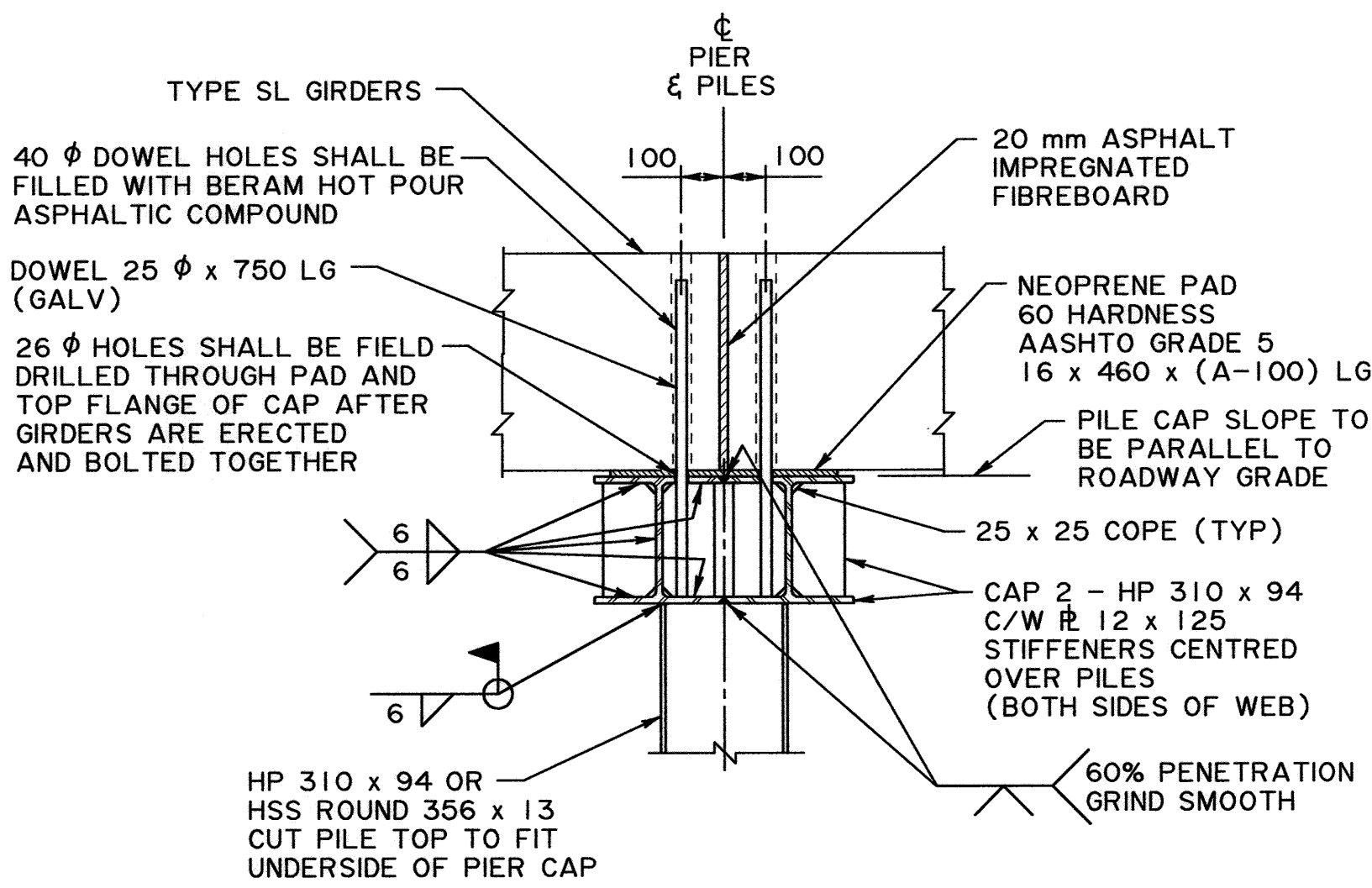
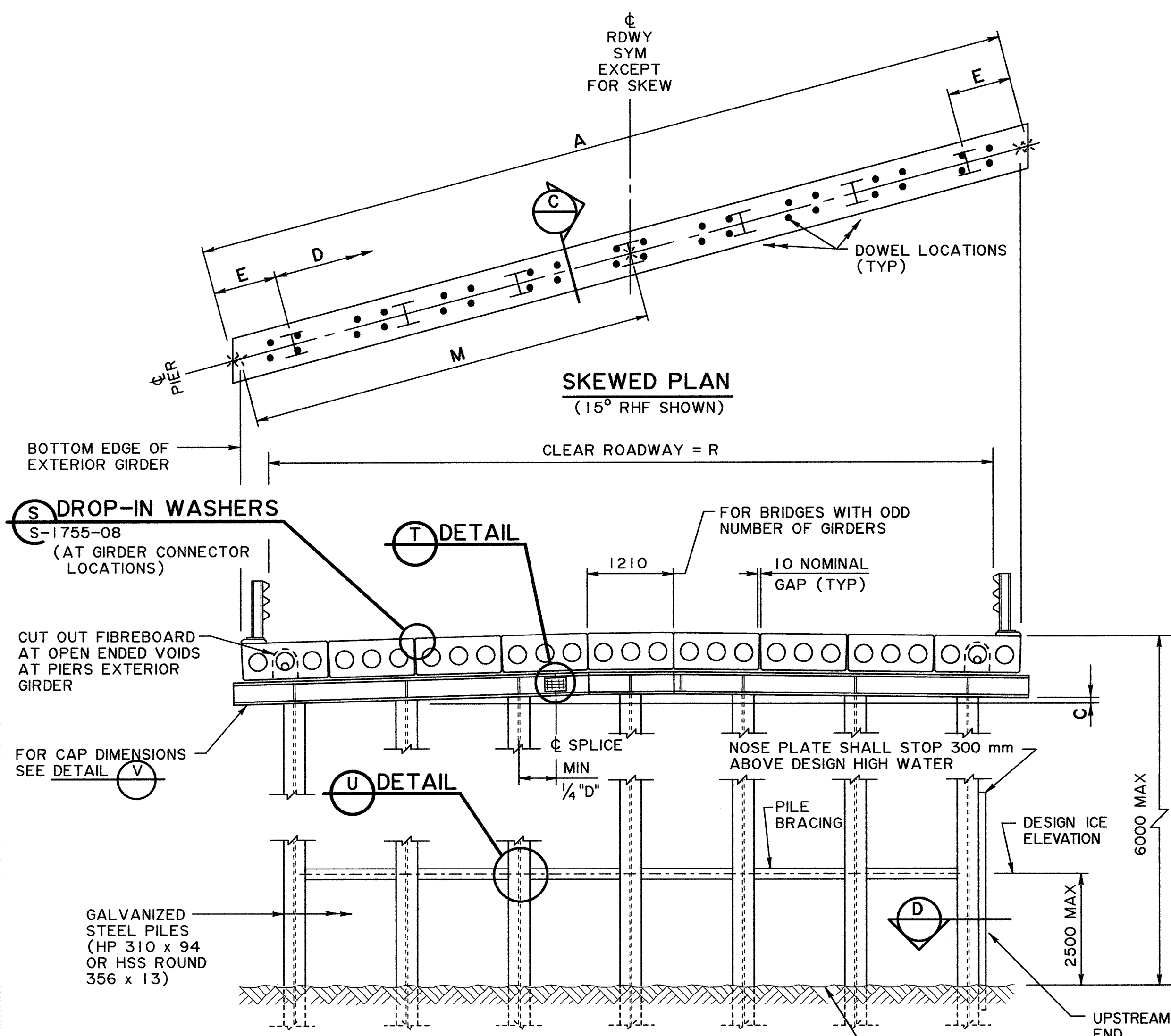
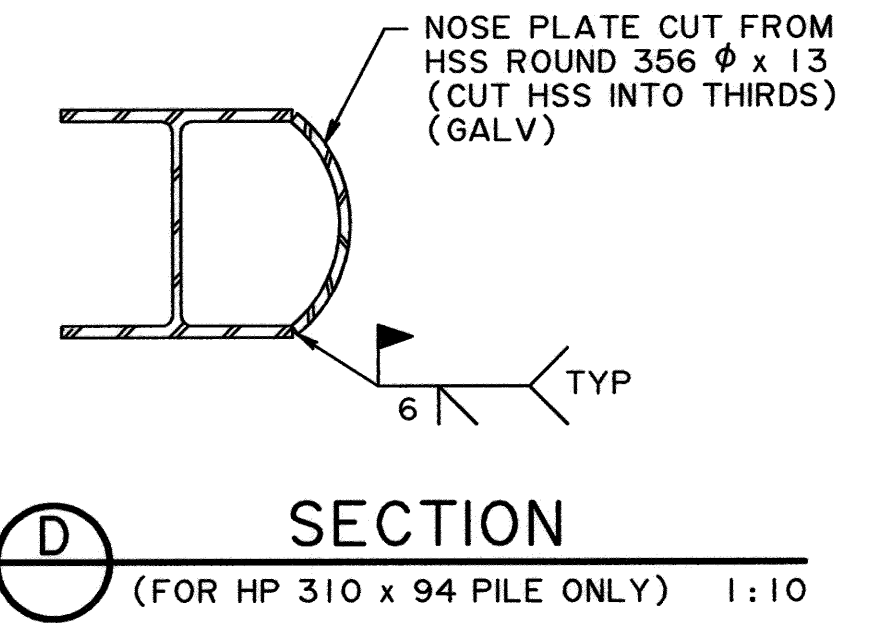
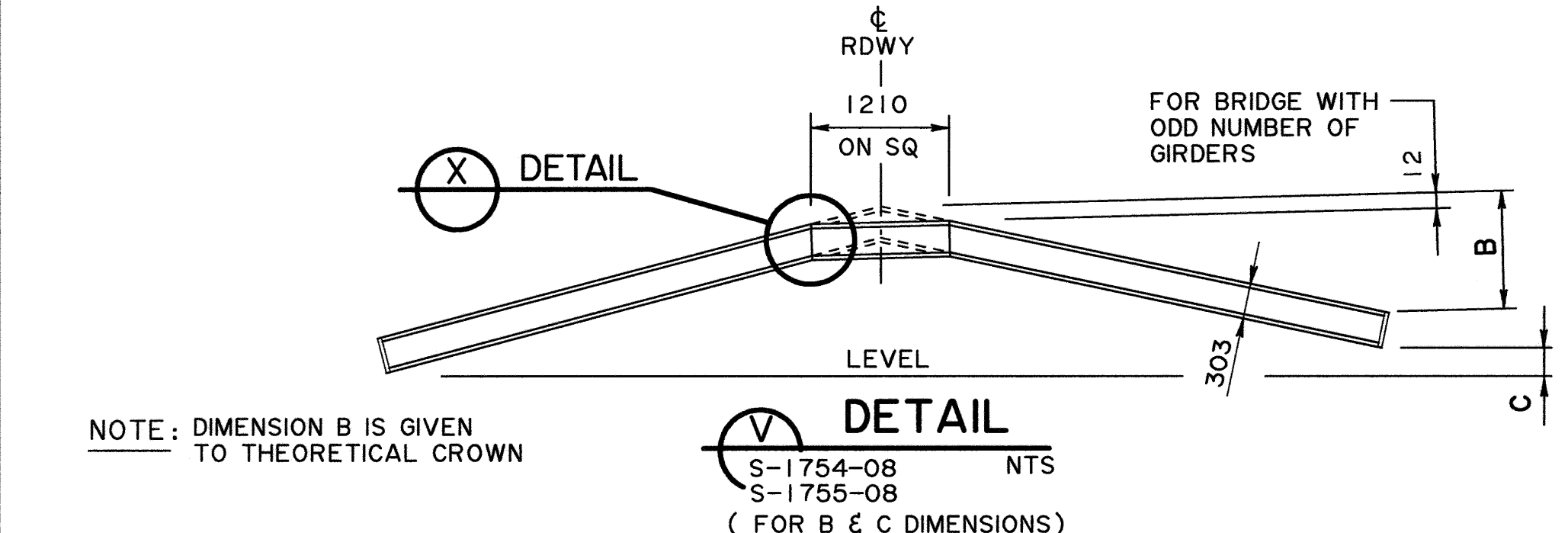
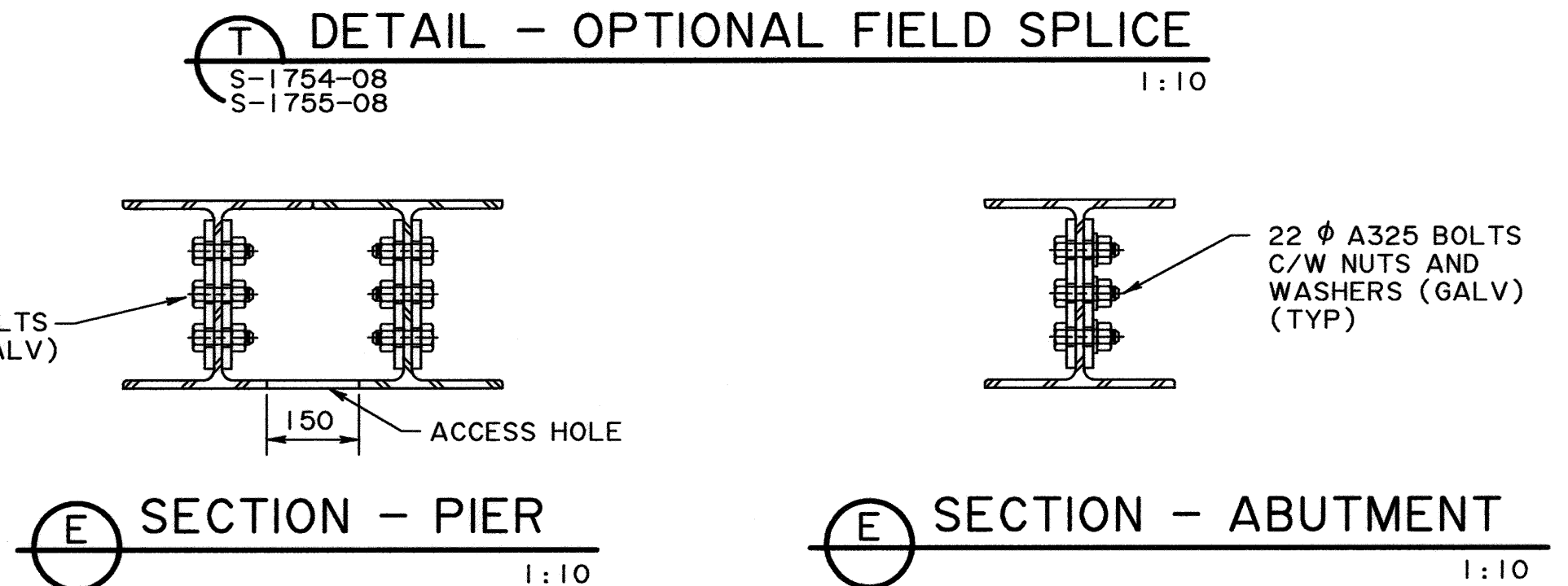
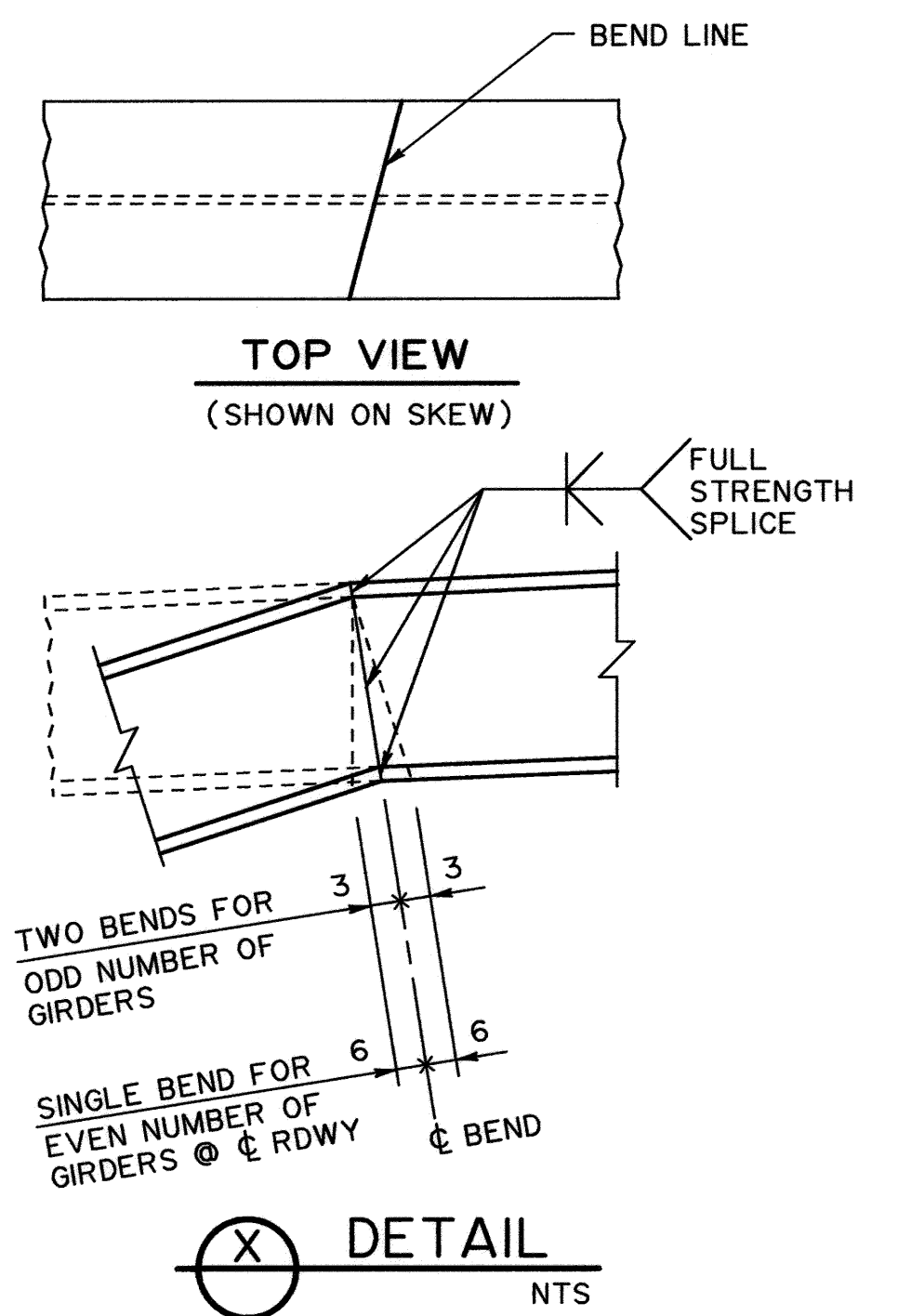
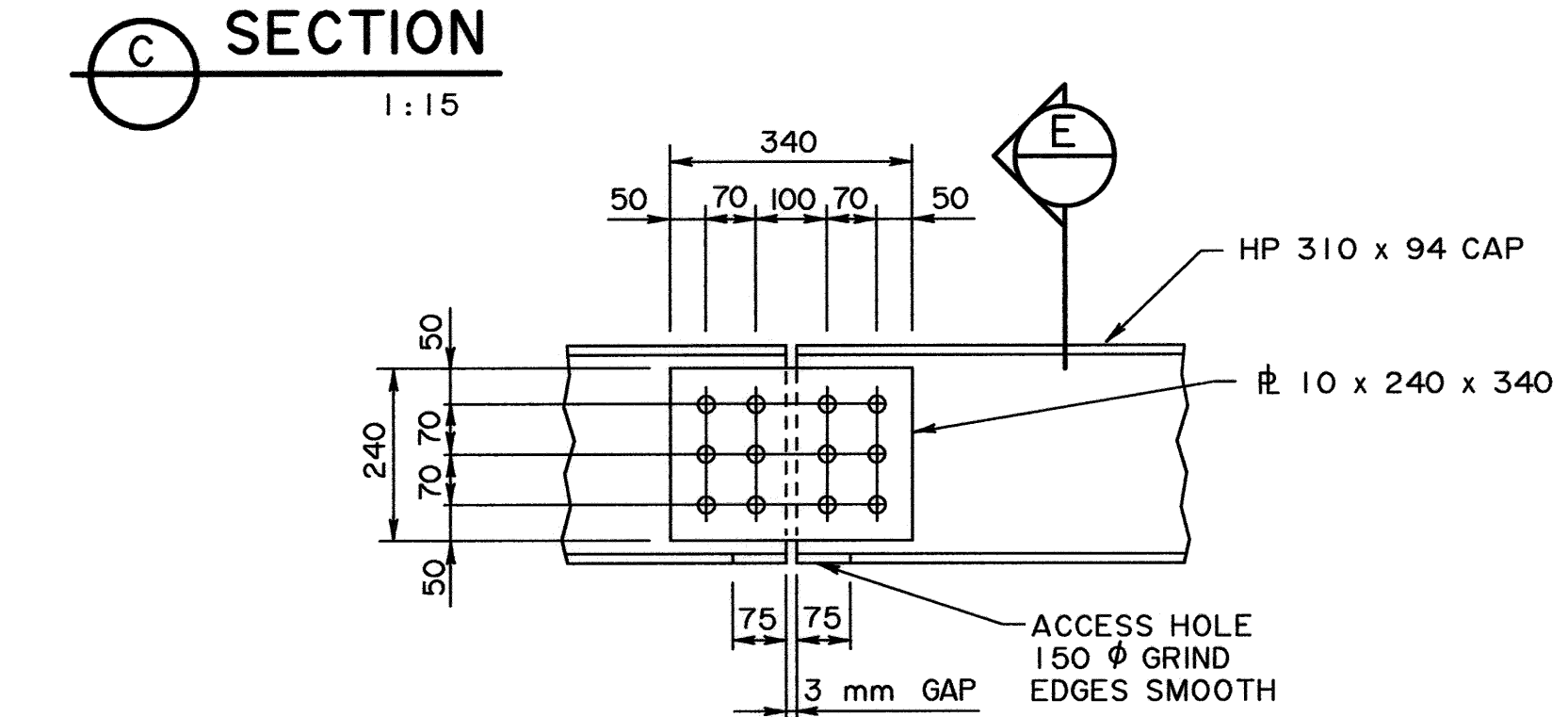


DATA FOR STANDARD SL PRECAST GIRDER BRIDGES - PIERS

CLEAR ROADWAY (GIRDERS / SPAN)	R	8 940 (8)				10 160 (9)				11 370 (10)				12 590 (11)				13 810 (12)				15 020 (13)					
		0°	15°	30°	45°	0°	15°	30°	45°	0°	15°	30°	45°	0°	15°	30°	45°	0°	15°	30°	45°	0°	15°	30°	45°		
GENERAL	OVERALL LENGTH	A	9 920	10 270	11 455	14 029	11 140	11 533	12 863	15 754	12 350	12 786	14 261	17 466	13 570	14 049	15 669	19 191	14 790	15 312	17 078	20 916	16 000	16 564	18 475	22 627	
GENERAL	CROWN	B	99	99	99	99	111	111	111	111	124	124	124	124	136	136	136	136	148	148	148	148	160	160	160	160	
	DIFFERENTIAL FOR ROADWAY GRADE OF	1%	C	0	27	57	99	0	30	64	111	0	33	71	124	0	36	78	136	0	40	85	148	0	43	92	160
		2%	C	0	53	115	198	0	60	129	223	0	66	143	247	0	73	157	271	0	79	171	296	0	86	185	320
3%		C	0	80	172	298	0	90	193	334	0	99	214	371	0	109	235	407	0	119	256	444	0	129	277	480	
PILES	NUMBER		6	6	6	6	7	7	7	7	8	8	8	8	9	9	9	9	9	9	9	9	10	10	10	10	
	SPACING	D	1 642	1 700	1 896	2 322	1 572	1 627	1 815	2 223	1 520	1 574	1 755	2 150	1 482	1 534	1 711	2 096	1 635	1 693	1 888	2 312	1 588	1 644	1 834	2 246	
	END DISTANCES	E	855	885	987	1 209	855	885	987	1 209	855	885	987	1 209	855	885	987	1 209	855	885	987	1 209	855	885	987	1 209	
NUMBER OF DOWELS PER LINE		16	16	16	16	18	18	18	18	20	20	20	20	22	22	22	22	24	24	24	24	26	26	26	26		
EXTERIOR GIRDER LOCATION FROM $\phi$ BRIDGE	M	4 859	5 030	5 611	6 872	5 467	5 660	6 313	7 732	6 075	6 289	7 015	8 591	6 683	6 919	7 717	9 451	7 291	7 548	8 419	10 311	7 899	8 178	9 121	11 171		



NOTE:  
PILE BRACING IS NOT REQUIRED FOR PIER HEIGHT LESS THAN 1.5 m SEE DRAWING S-1683-04 "BRIDGE ELEVATION" FOR PIER HEIGHT DESCRIPTION



**MOST**  
Engineering (2001) Ltd.

PERMIT TO PRACTICE  
MOST ENGINEERING (2001) LTD.  
Signature: [Signature]  
Date: Aug 15, 2008  
PERMIT NUMBER: P 8859  
The Association of Professional Engineers, Geologists and Geophysicists of Alberta

DESIGNER: [Signature]  
CHECKER: [Signature]  
DATE: Aug 15, 2008

REV	DATE	REVISIONS	BY

RECOMMENDED DIRECTOR BRIDGE ENGINEERING: [Signature]  
APPROVED EXECUTIVE DIRECTOR TECHNICAL STANDARDS BRANCH: [Signature]  
DATE: Sept 8/08

**Alberta** Transportation

**SL PRECAST GIRDER BRIDGES WITH STEEL SUBSTRUCTURES SHEET 2**

AT BAR CODE	DATE	SHEET	DRAWING
	2008-08-18	2 of 4	S-1754-08