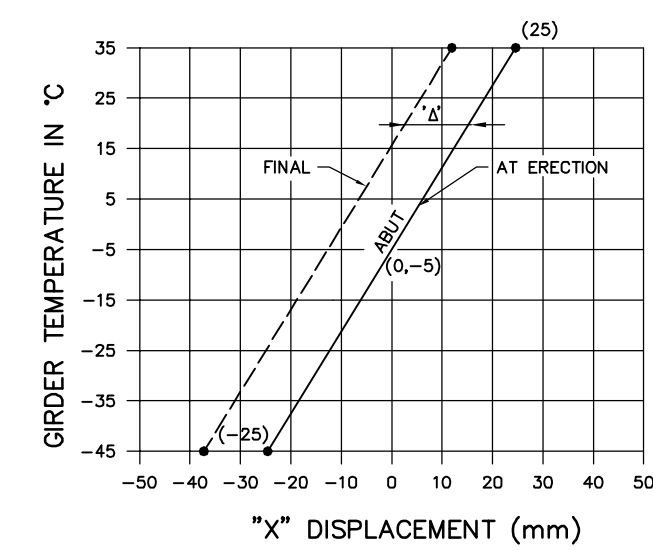
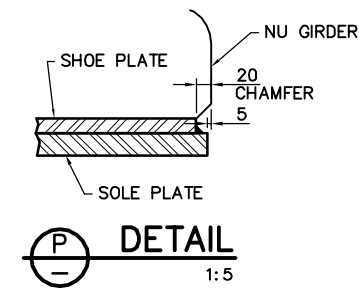
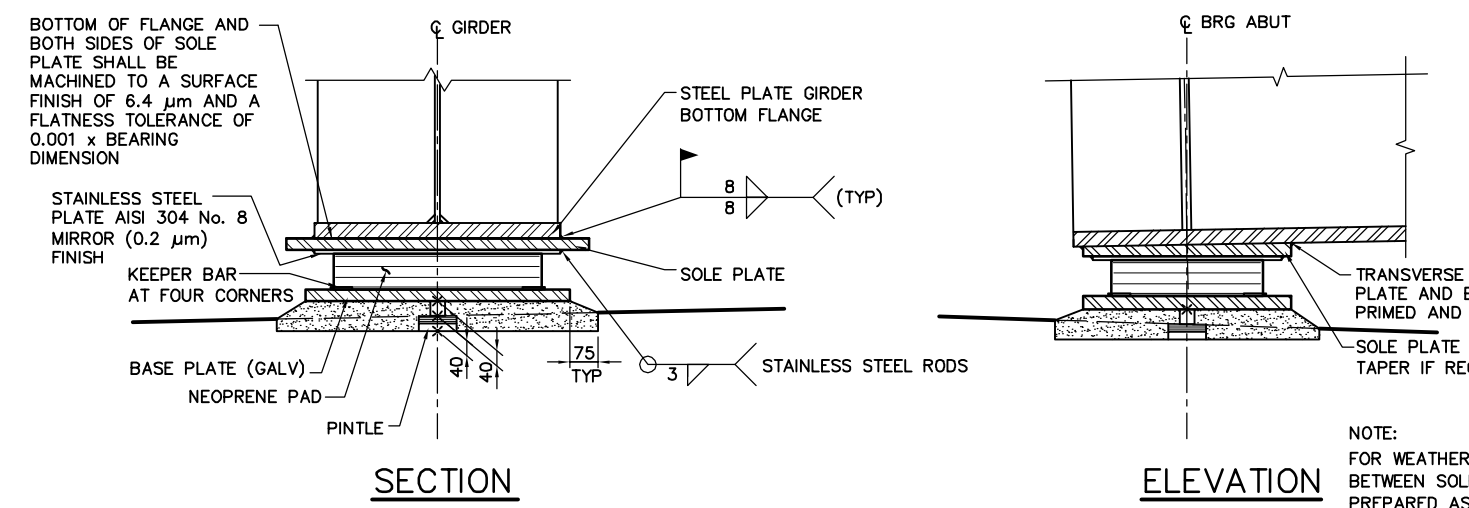
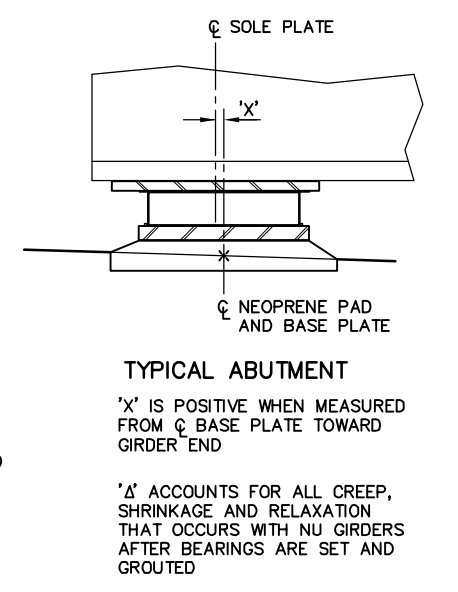


**SECTION**  
**ELEVATION**  
**NU CONCRETE GIRDER EXPANSION BEARING DETAILS**  
1:10

NOTE:  
FOR GALVANIZED PLATES, TRANSVERSE JOINTS BETWEEN SOLE PLATE AND SHOE PLATE TO BE PREPARED AS FOLLOWS:  
1. SOLVENT WIPE (XYLENE) ON FOLLOWED BY A WIPE OFF WITH CLEAN DRY RAG  
2. APPLY SIKAFLEX PRIMER 205 OR APPROVED EQUIVALENT  
3. CAULK WITH SIKAFLEX 1A OR APPROVED EQUIVALENT

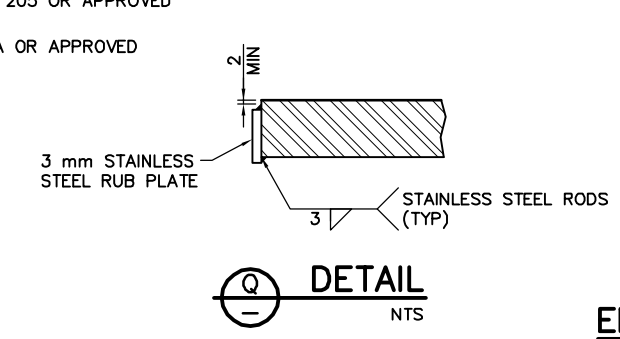


**ABUTMENT EXPANSION BEARING SETTING CHART**

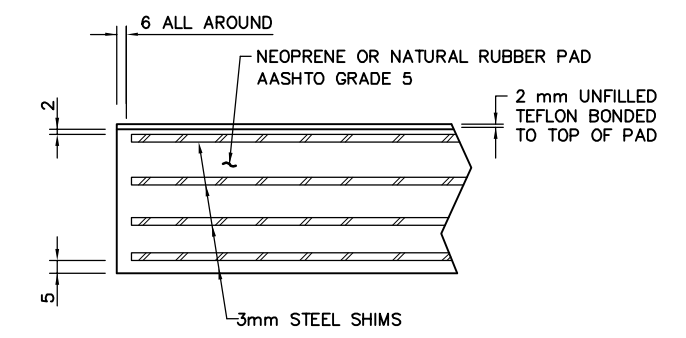
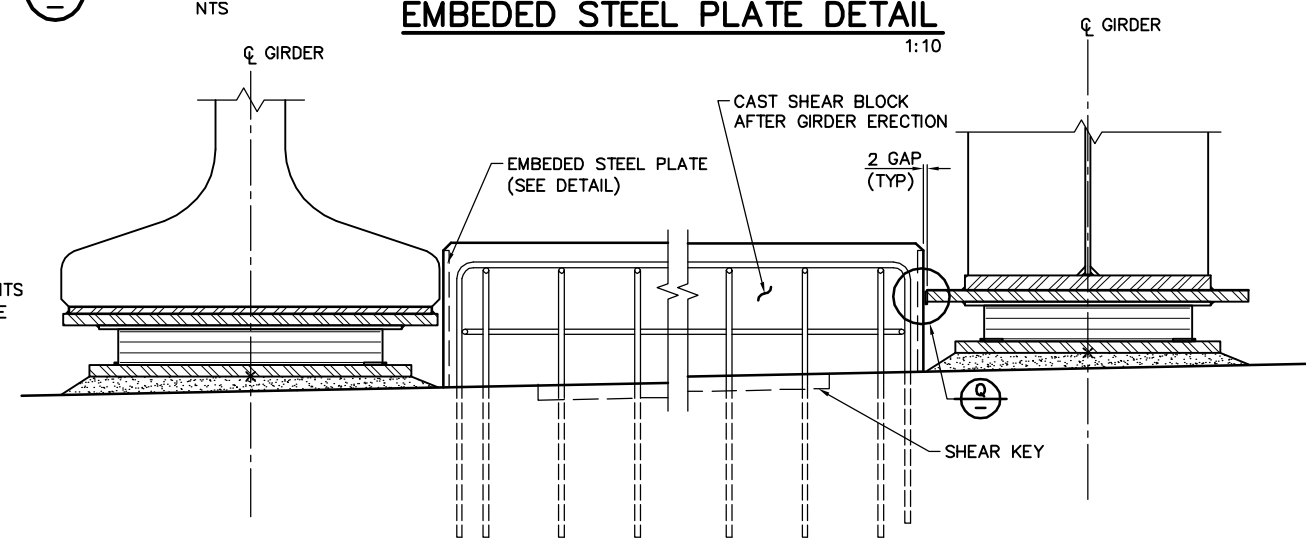


**SECTION**  
**ELEVATION**  
**STEEL PLATE GIRDER EXPANSION BEARING DETAILS**  
1:10

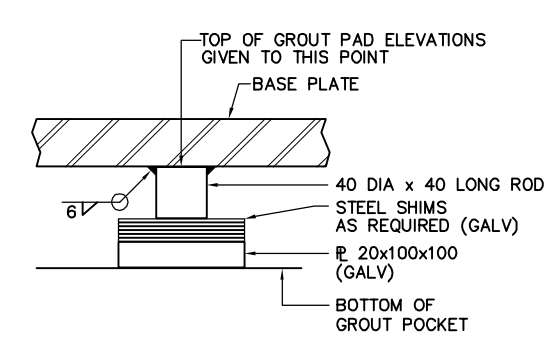
NOTE:  
FOR WEATHERED STEEL PLATES, TRANSVERSE JOINTS BETWEEN SOLE PLATE AND BOTTOM FLANGE TO BE PREPARED AS FOLLOWS:  
1. HAND TOOL CLEANED TO REMOVE EXCESS OXIDATION PRODUCTS  
2. SOLVENT WIPE (XYLENE) ON FOLLOWED BY A WIPE OFF WITH CLEAN DRY RAG  
3. APPLY SIKAFLEX PRIMER 205 OR APPROVED EQUIVALENT  
4. CAULK WITH SIKAFLEX 1A OR APPROVED EQUIVALENT



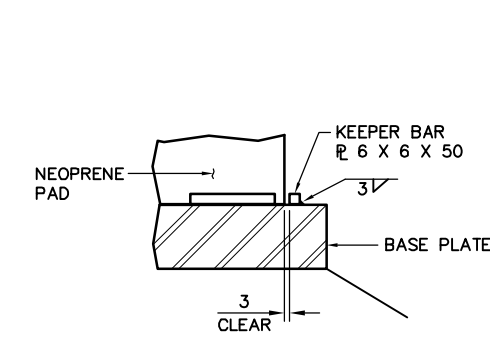
**EMBEDDED STEEL PLATE DETAIL**  
1:10



**NEOPRENE PAD DETAIL**  
NTS



**PINTLE DETAIL**  
GALVANIZE AFTER FABRICATION NTS



**KEEPER BAR DETAIL**  
NTS

**CONCRETE KEEPER BLOCK DETAILS**  
1:10

DETAILS SHOWN ARE CONCEPTUAL AND REPRESENT DEPARTMENT PRACTICES AS REFERENCED IN THE BRIDGE STRUCTURES DESIGN CRITERIA. FULL RESPONSIBILITY FOR DESIGN OF DETAILS REMAINS WITH THE CONSULTANT.

**NOT FOR CONSTRUCTION**

RECOMMENDED DIRECTOR BRIDGE ENGINEERING		APPROVED EXECUTIVE DIRECTOR TECHNICAL STANDARDS BRANCH	
REV	DATE	REVISIONS	BY DATE

Albarta Transportation  
**TYPICAL EXPANSION BEARING DETAILS**

DATE: 2009.01.23  
SHEET: 5 OF 5  
DRAWING: S-1761-08