

ABUTMENT DIAPHRAGM DETAIL
1:10

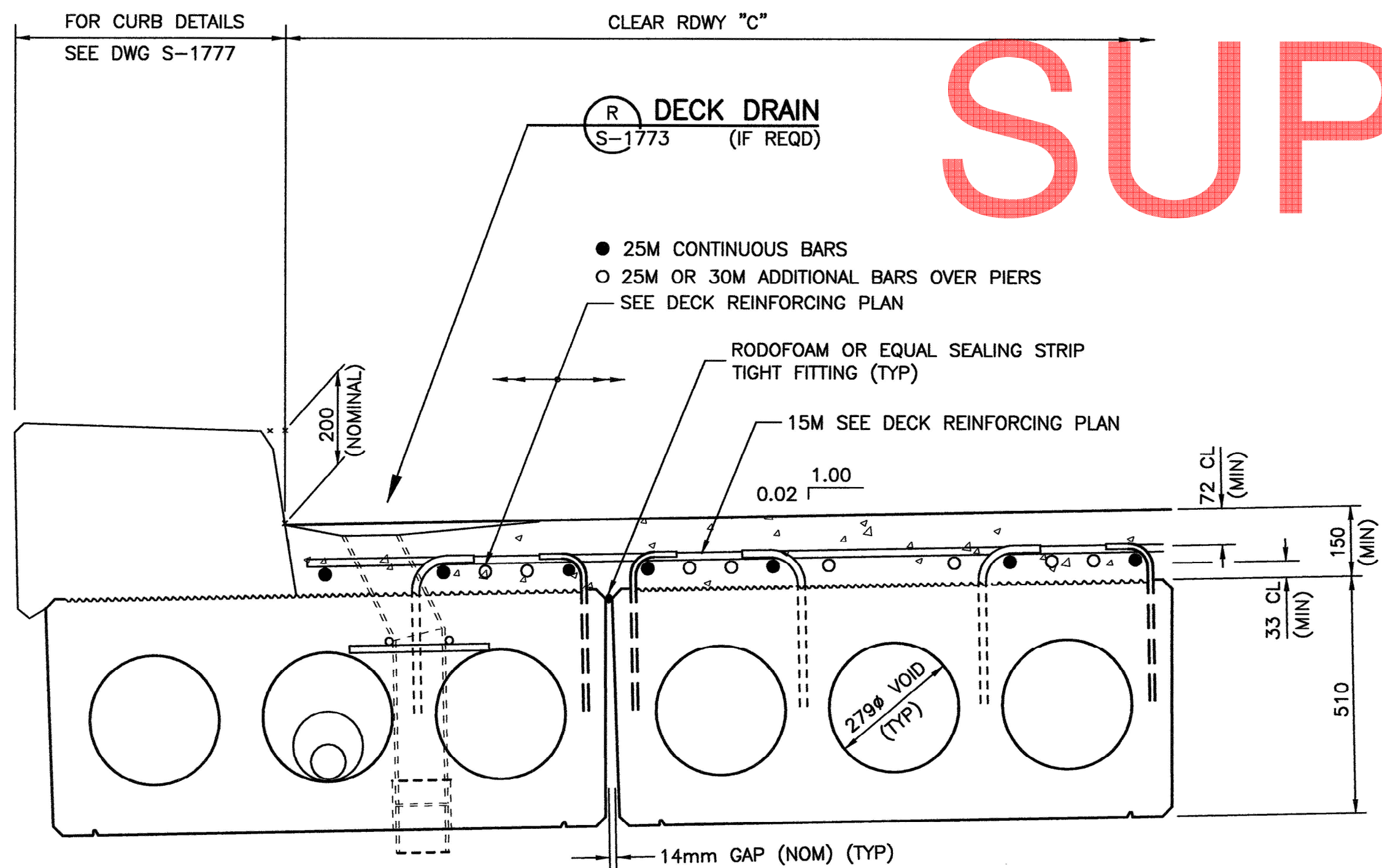
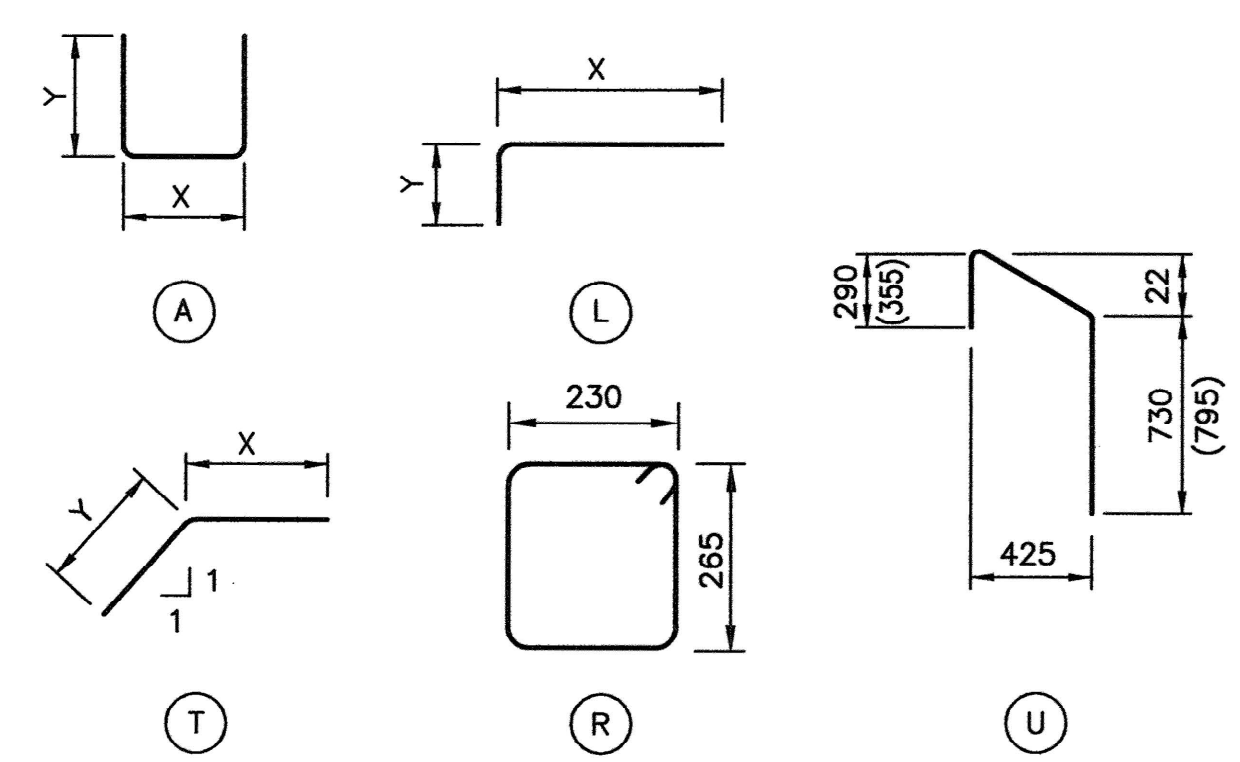
PIER DIAPHRAGM DETAIL
1:10

BAR LIST: DIAPHRAGMS					
MARK	SIZE	TYPE	X	Y	LENGTH
D1001	10	A	160	450	1 060
D1002C	10	A	160	450	1 060
D1004C	10	R			1 190
D1501C	15	STR			
D1502C	15	L	500	500	1 000
D1503C	15	T	500	500	1 000
D1504C	15	U			1445 (1575)
D2503	25	STR			

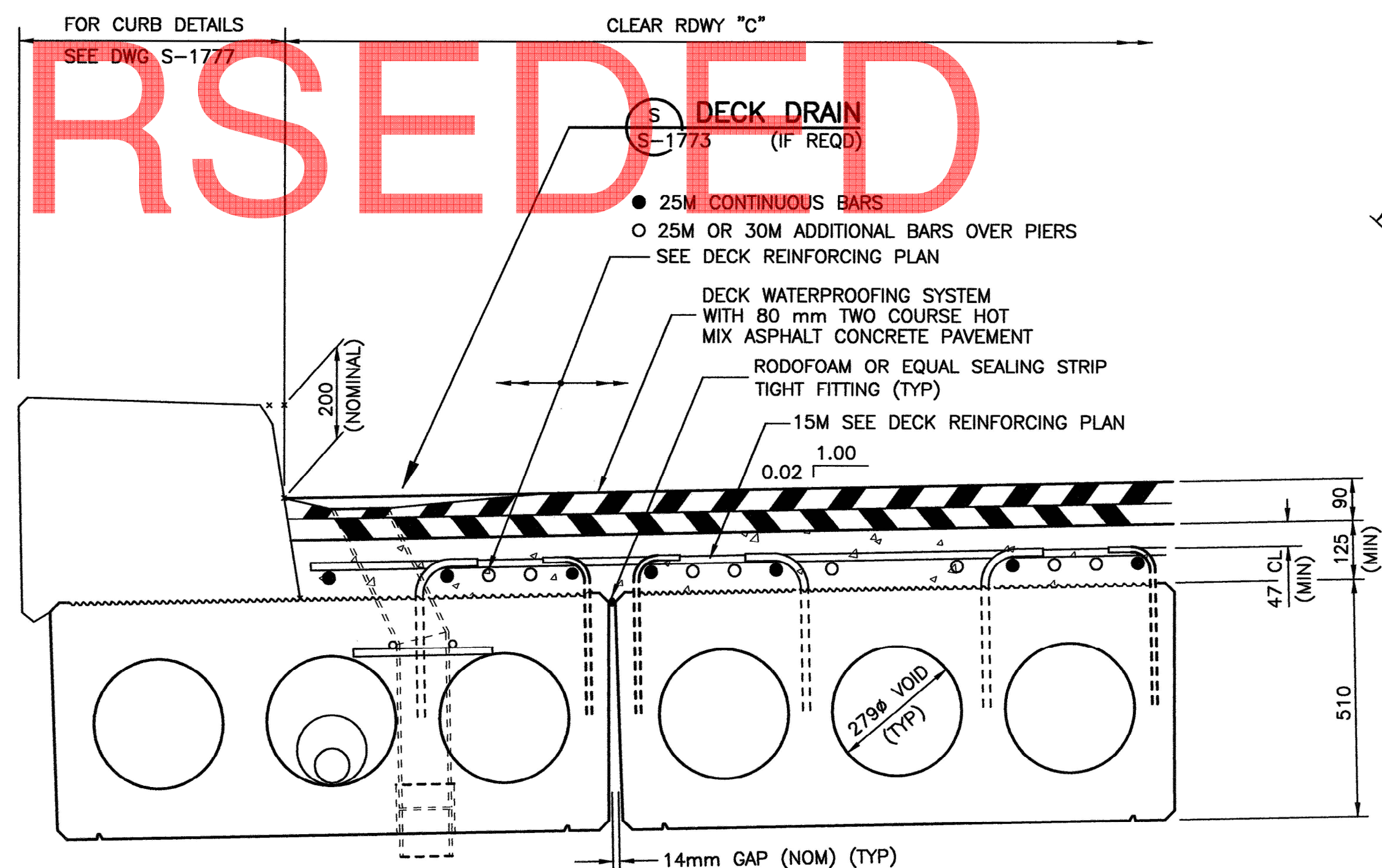
-SUFFIX LETTER "C" ON BAR MARK DENOTES EPOXY COATED BARS.
-MIN EPOXY COATED BEND: 10M = 80°
15M = 120°

NOTE
• FOR DIMENSIONS THAT VARY WITH CURB HEIGHT, DIMENSIONS ARE GIVEN AS:
XXX FOR 350 CURB
(XXX) FOR 415 CURB

BAR TYPES
(ALL BAR DIMENSIONS ARE OUT TO OUT)



A TYPICAL DECK SECTION
S-1771 (FOR CONCRETE TO GRADE) 1:10



B TYPICAL DECK SECTION
S-1771 (FOR ACP WEARING SURFACE) 1:10

SUPERSEDED

• FOR GENERAL NOTES SEE DWG S-1771

S-1772-08.RVT.DWG

	PERMIT TO PRACTICE ISL Engineering and Land Services Ltd. Signature: P. J. K. FAIRBRIDGE Date: AUG. 15, 2008 PERMIT NUMBER: P 4741 The Association of Professional Engineers, Geologists and Geophysicists of Alberta	DESIGNER 	CHECKER 	RECOMMENDED DIRECTOR BRIDGE ENGINEERING TOM LOO	
	APPROVED EXECUTIVE DIRECTOR TECHNICAL STANDARDS BRANCH ALLAN KWAN DATE: 2008-08-22	STANDARD SLC COMPOSITE BRIDGES SLC510 PRESTRESSED CONCRETE GIRDERS DECK DETAILS - SHEET 1			
		2008-10-01 DOWEL GROUTING NOTE		DEPARTMENT BAR CODE: - DATE: 2008-06-30 SHEET: 2 OF 7 DRAWING: S-1772-08	