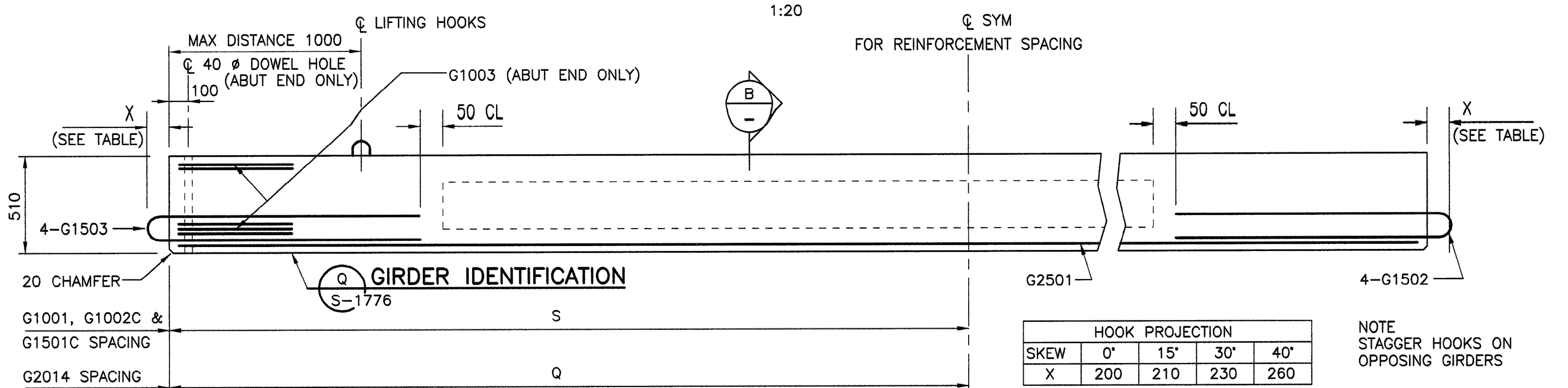
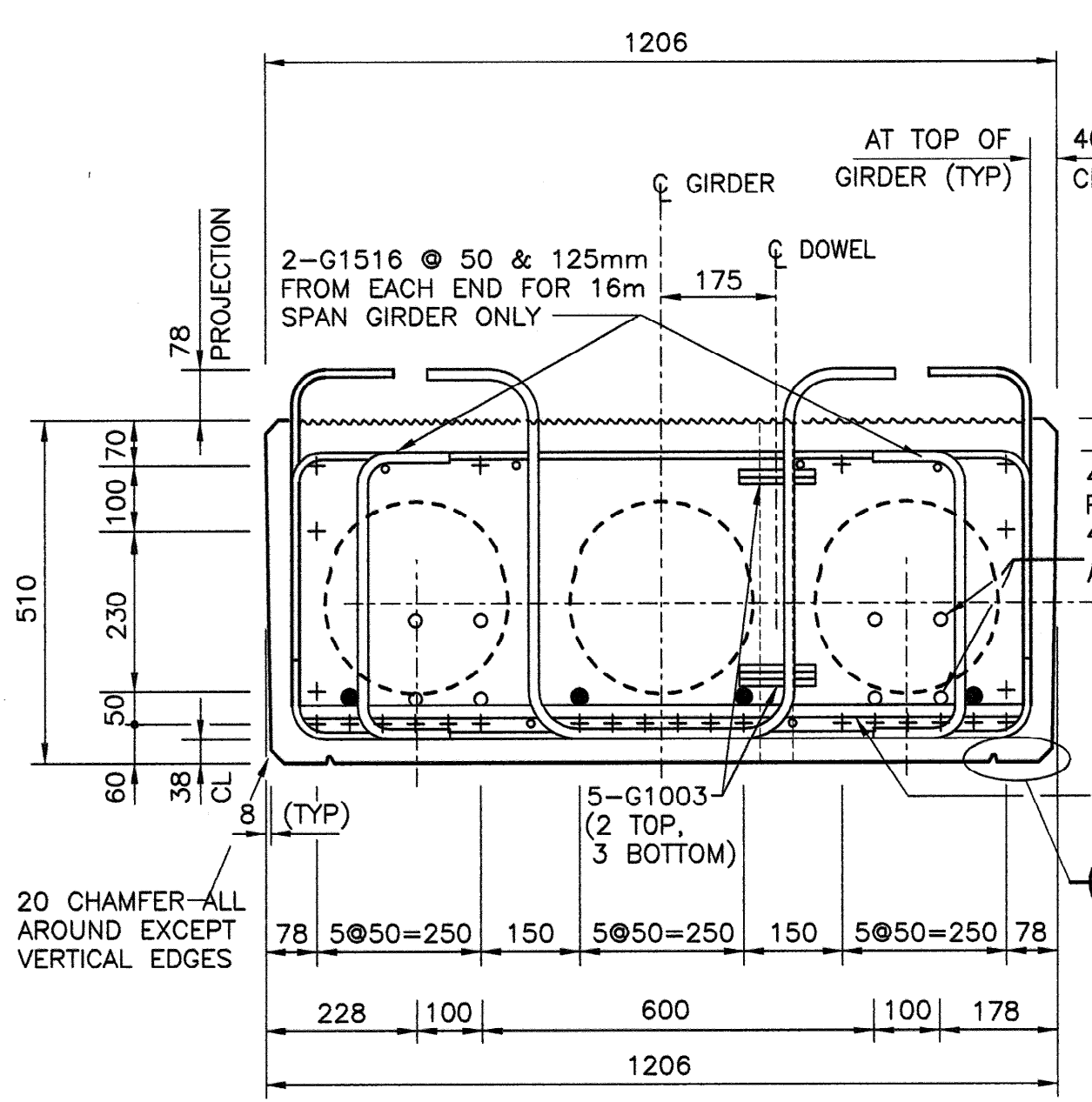


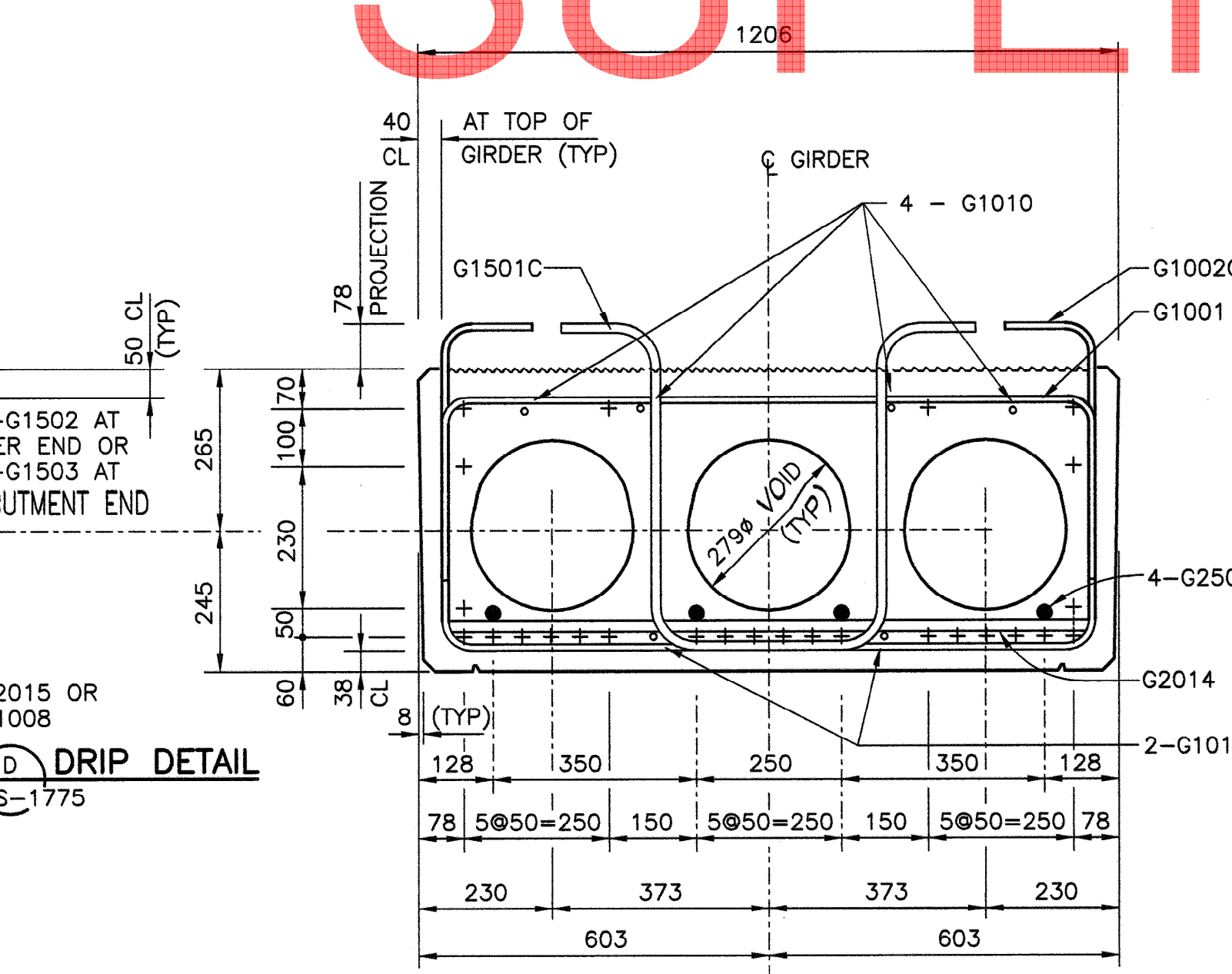
PLAN  
1:20



ELEVATION  
1:20



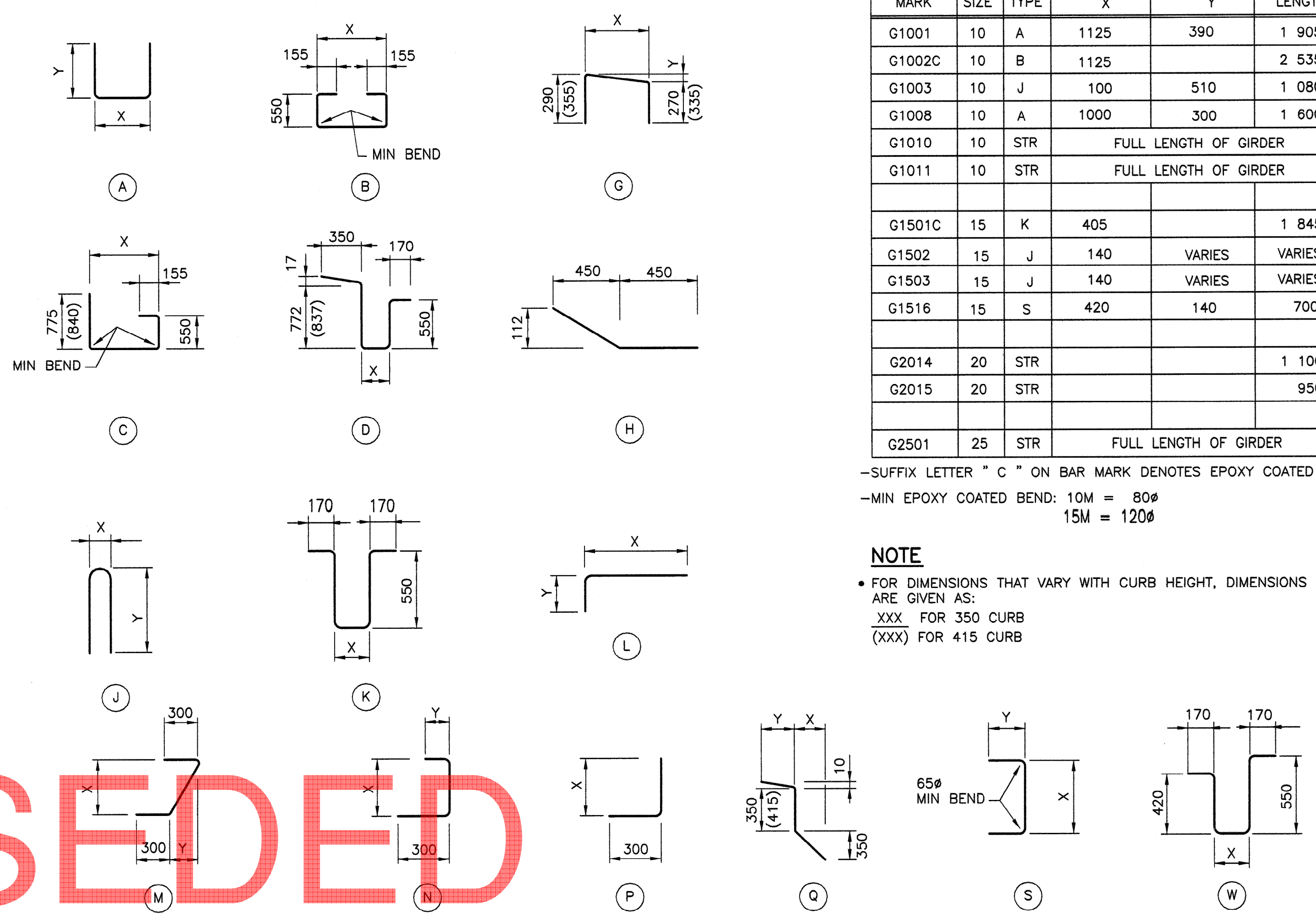
SECTION A  
1:10



SECTION B  
1:10

BAR TYPES

(ALL BAR DIMENSIONS ARE OUT TO OUT)



BAR LIST: INTERIOR GIRDER					
MARK	SIZE	TYPE	X	Y	LENGTH
G1001	10	A	1125	390	1 905
G1002C	10	B	1125		2 535
G1003	10	J	100	510	1 080
G1008	10	A	1000	300	1 600
G1010	10	STR	FULL LENGTH OF GIRDER		
G1011	10	STR	FULL LENGTH OF GIRDER		
G1501C	15	K	405		1 845
G1502	15	J	140	VARIABLES	VARIABLES
G1503	15	J	140	VARIABLES	VARIABLES
G1516	15	S	420	140	700
G2014	20	STR			1 100
G2015	20	STR			950
G2501	25	STR	FULL LENGTH OF GIRDER		

-SUFFIX LETTER "C" ON BAR MARK DENOTES EPOXY COATED BARS.  
-MIN EPOXY COATED BEND: 10M = 80°  
15M = 120°

NOTE  
• FOR DIMENSIONS THAT VARY WITH CURB HEIGHT, DIMENSIONS ARE GIVEN AS:  
XXX FOR 350 CURB  
(XXX) FOR 415 CURB

**SUPERSEDED**

GIRDER LENGTH L	THEORETICAL GIRDER WEIGHT (tonnes)	FORCE PER STRAND (kN)	STRAND PATTERN (N = TOTAL NO. OF STRANDS)				DEBONDED STRANDS (ND= NO. OF DEBONDED STRANDS)		STIRRUP SPACING S (mm)	G2014 SPACING Q (mm)	
			INTERIOR GIRDER		CURB GIRDER		INTERIOR GIRDER	CURB GIRDER			
			N	STRANDS	N	STRANDS	ND	D			
8m	9.8/14.7/14.0	182/160	N=10	+	N=10	+	ND=0	+	+	50,2@75,3@100,6@150,4@250,3@300,2@350	500 2@1750
10m	11.9/18.1/17.1	182/158	N=14	+	N=14	+	ND=0	+	+	50,2@75,3@100,6@150,3@250,6@300,3@350	500 2@2250
12m	14.1/21.5/20.3	182/157	N=16	+	N=16	+	ND=0	+	+	50,2@75,3@100,9@150,6@200,4@300,5@350	500 2@2200 1100
14m	16.2/24.8/23.5	182/154	N=20	+	N=20	+	ND=2 D=1400	+	+	50,2@75,3@100,11@150,6@200,3@250,5@300,4@350	500 2@2200 2100
16m	18.3/28.2/26.7	182/150	N=26	+	N=24	+	ND=4 D=1600	+	+	50,2@75,3@100,10@150,10@200,3@250,5@300,5@350	500 3@2200 900

SPAN (m)	INTERIOR GIRDER (kN/m)				CURB GIRDER (415mm) (kN/m)			CURB GIRDER (350mm) (kN/m)	
	GIRDER	125mm DECK	90mm ACP	150mm DECK	GIRDER	125mm DECK	90mm ACP	GIRDER	150mm DECK
8	11.99				18.07			17.13	
10	11.69				17.77			16.82	
12	11.49	4.40	2.60	5.12	17.57	2.46	1.46	16.62	2.87
14	11.34				17.43			16.48	
16	11.23				17.32			16.36	



PERMIT TO PRACTICE  
ISL Engineering  
and Land Services Ltd.  
Signature: [Signature]  
Date: Aug 15, 2008  
PERMIT NUMBER: P 4741  
The Association of Professional Engineers,  
Geologists and Geophysicists of Alberta.

DESIGNER  
[Signature]  
DATE: Aug 15, 2008

CHECKER  
[Signature]  
DATE: Aug 15, 2008

REV	DATE	REVISIONS	BY

RECOMMENDED DIRECTOR BRIDGE ENGINEERING  
[Signature]  
APPROVED EXECUTIVE DIRECTOR TECHNICAL STANDARDS BRANCH  
[Signature]  
DATE: August 22, 2008

Alberta Transportation  
STANDARD SLC COMPOSITE BRIDGES  
SLC510 PRESTRESSED CONCRETE GIRDERS  
INTERIOR GIRDER

DEPARTMENT BAR CODE	DATE	SHEET	DRAWING
-	2008-06-30	4 OF 7	S-1774-08

DRAWN BY: RAK  
RWK JUL 25, 2008 S-1774-08.DWG