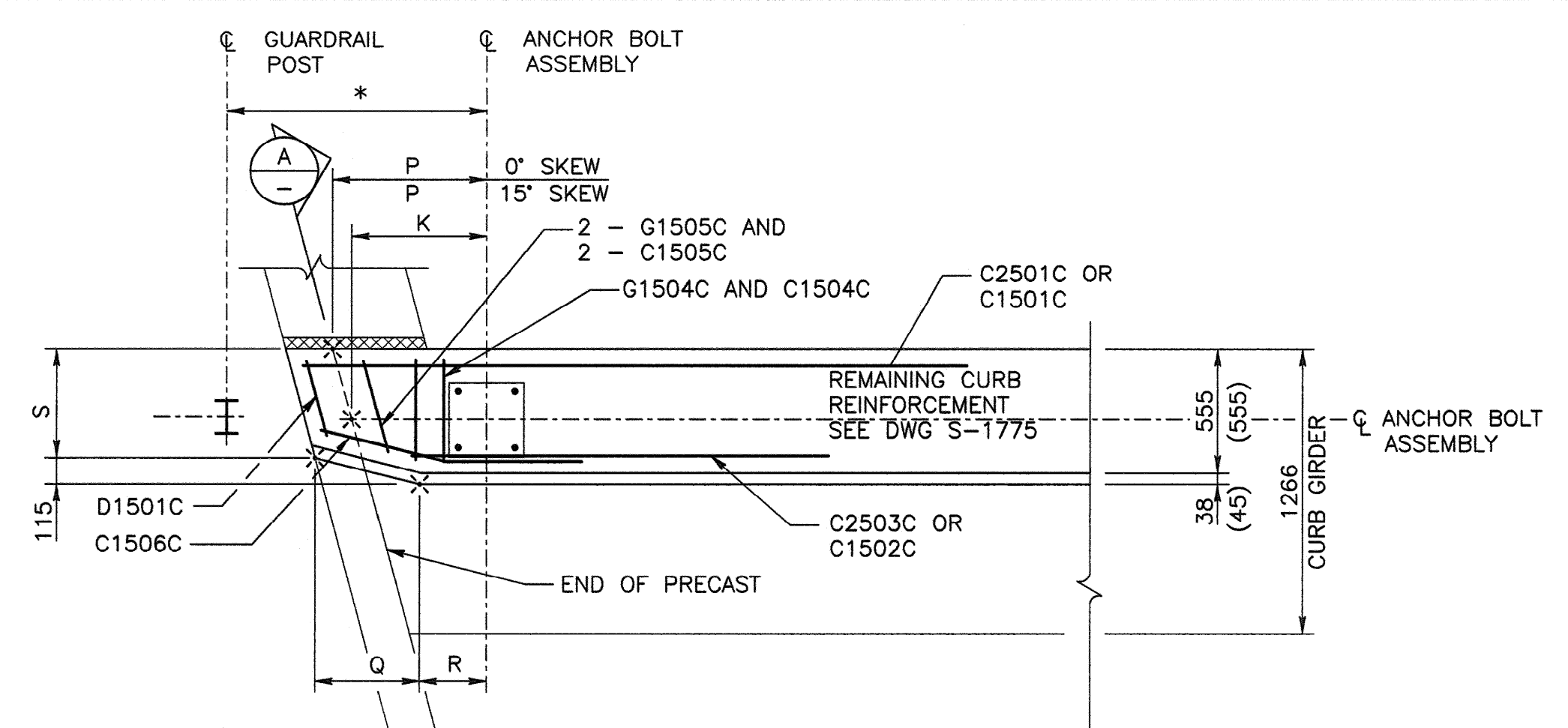
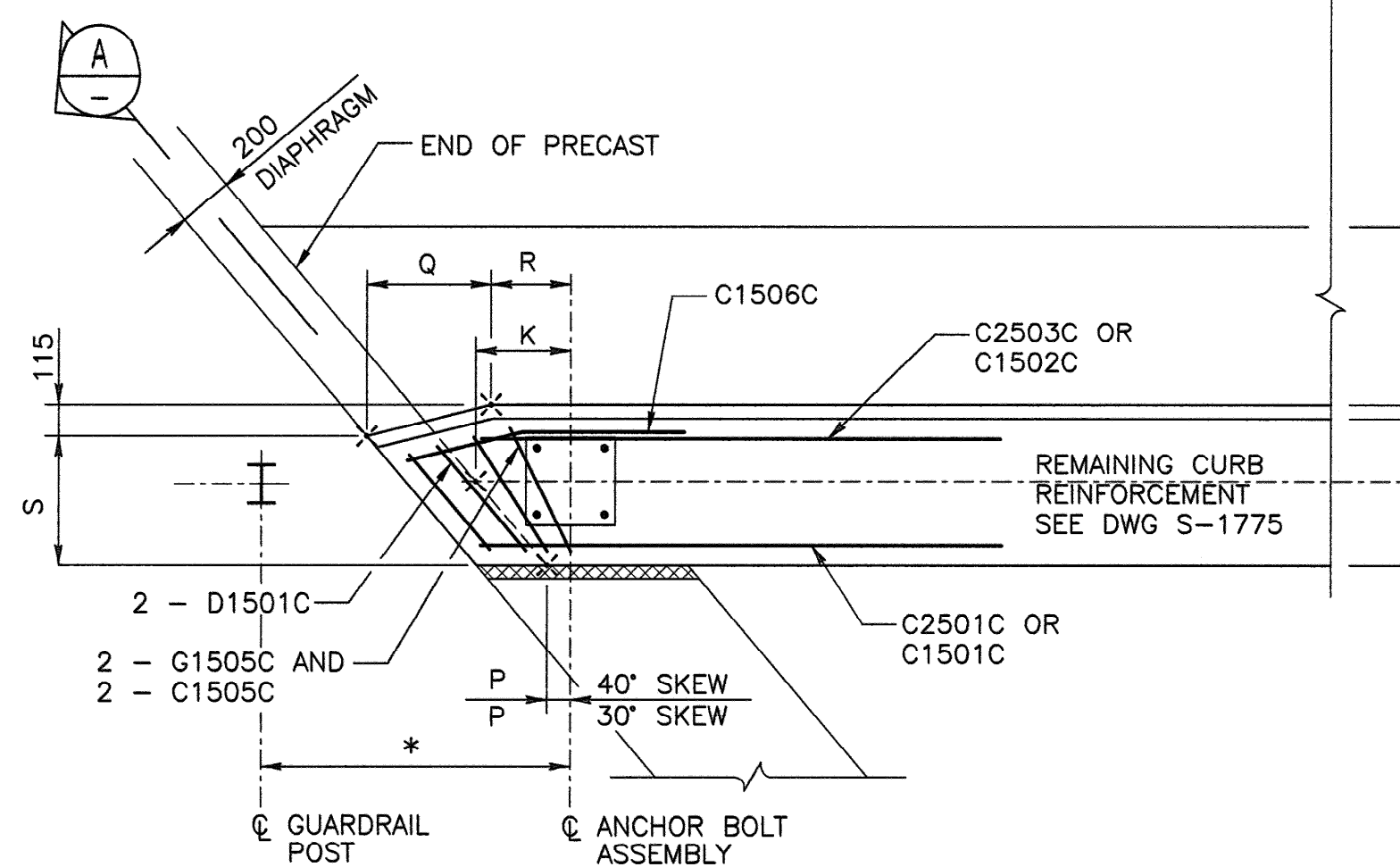


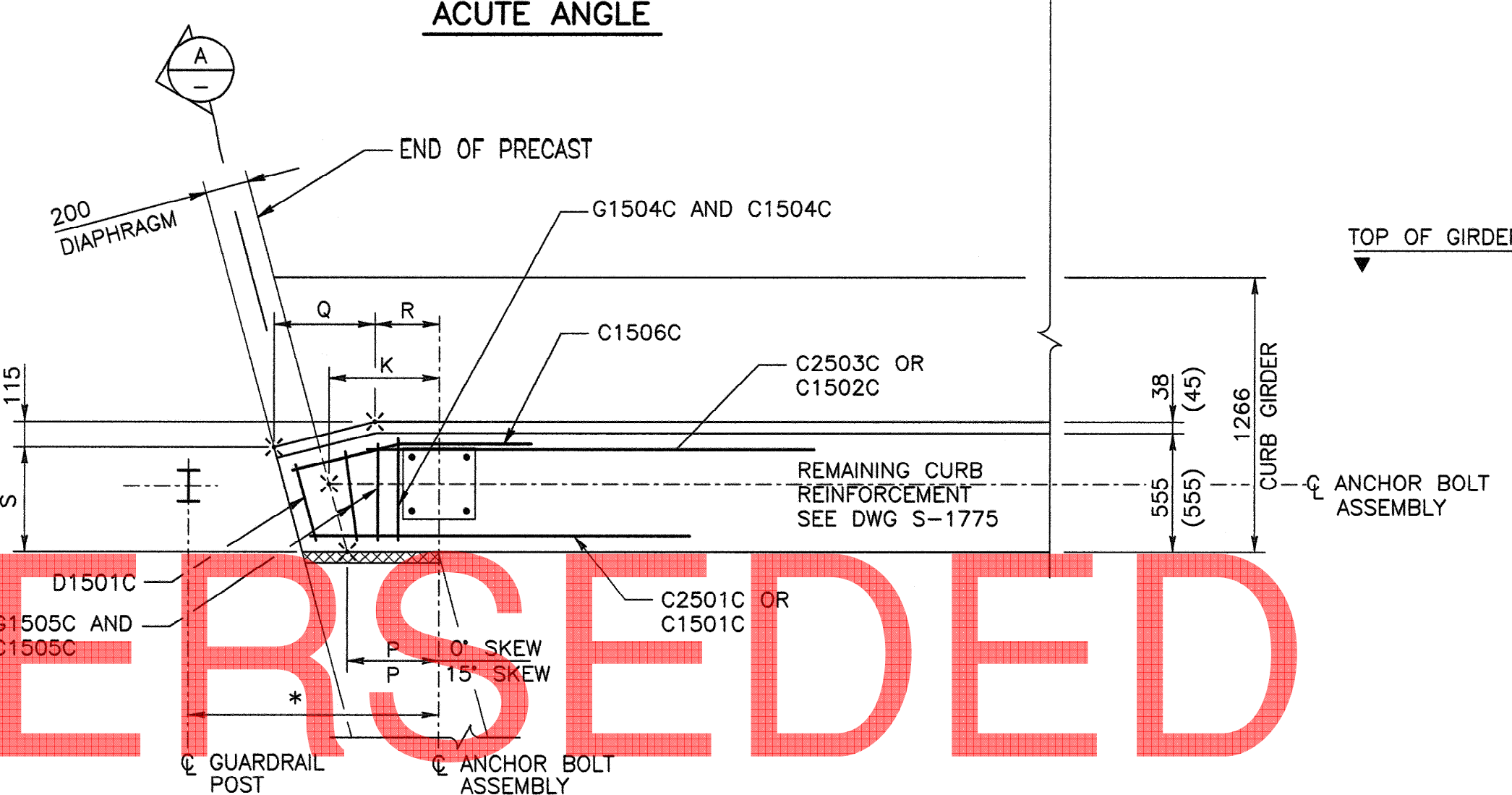
ACUTE ANGLE



ACUTE ANGLE



OBTUSE ANGLE



OBTUSE ANGLE

SKREW CURB END DETAILS
40° SKEW
30° SKEW
1:25

SKREW CURB END DETAILS
15° SKEW
0° SKEW
1:25

SUPERSEDED

*** NOTE:**

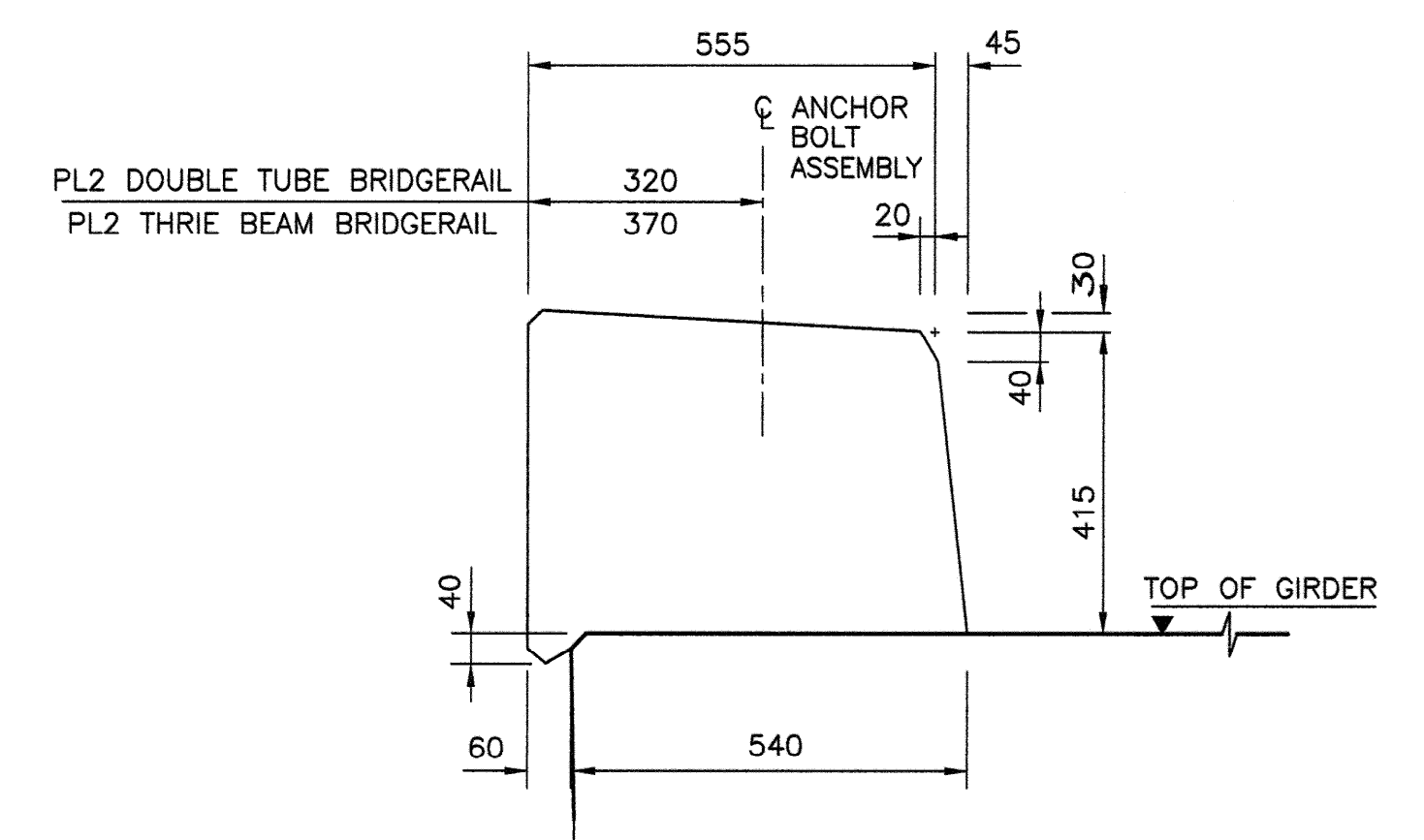
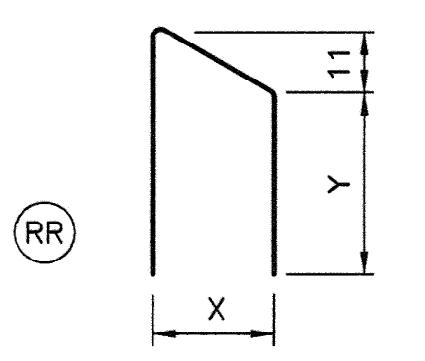
- DISTANCE TO GUARDRAIL POST VARIES BY BRIDGERAIL TYPE
- SEE DWG S-1642 AND S-1643 FOR PL-2 DOUBLE TUBE TYPE BRIDGERAIL
- SEE DWG S-1648 AND S-1649 FOR PL-2 THRIE BEAM BRIDGERAIL

BAR LIST: CURB					
MARK	SIZE	TYPE	X	Y	LENGTH
D1501C	15	RR	VARIES	740 (800)	VARIES

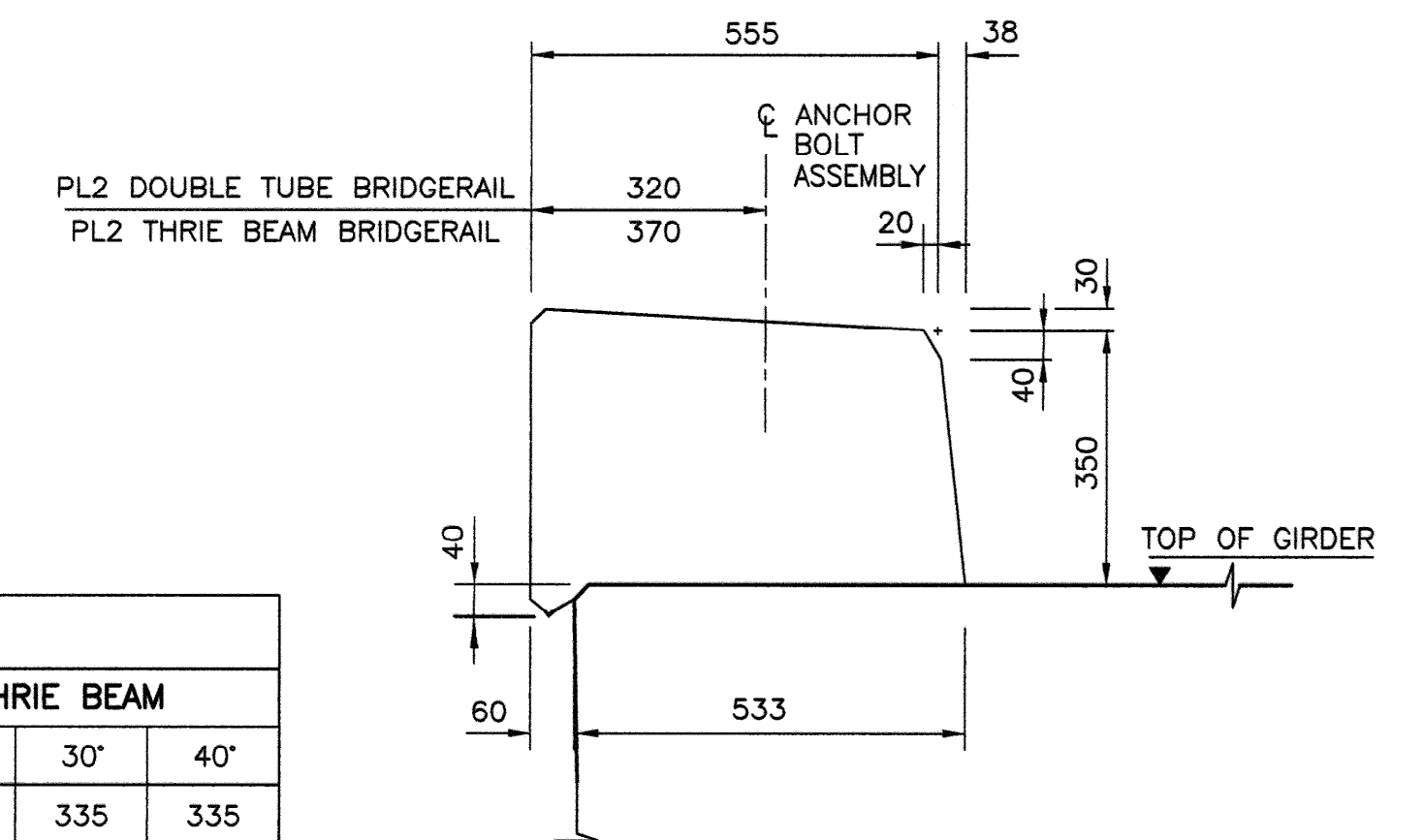
-SUFFIX LETTER "C" ON BAR MARK DENOTES EPOXY COATED BARS.
-MIN EPOXY COATED BEND: 10M = 80°
15M = 120°

NOTE:

- FOR DIMENSIONS THAT VARY WITH CURB HEIGHT, DIMENSIONS ARE GIVEN AS:
XXX FOR 350 CURB
(XXX) FOR 415 CURB



415 CURB FOR ACP WEAR SURFACE

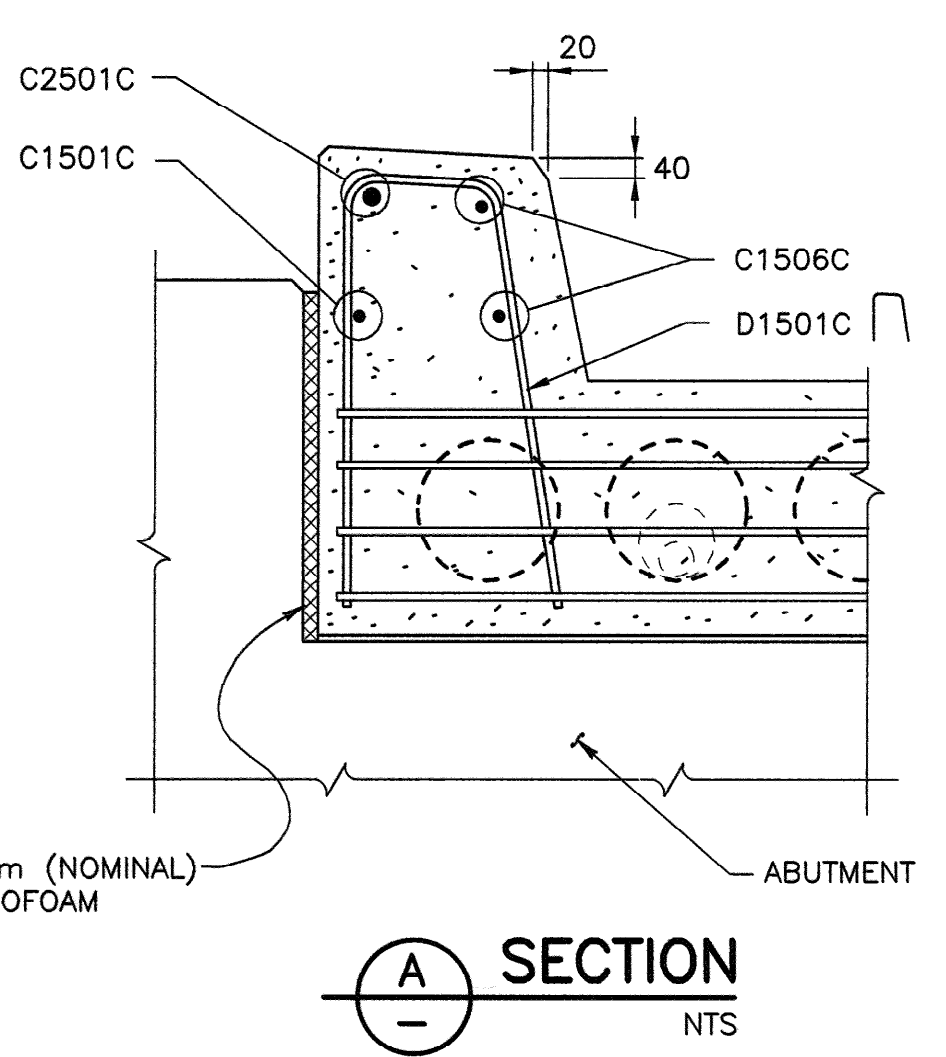


350 CURB FOR CONCRETE WEAR SURFACE

CURB DETAIL
1:10

		BRIDGE RAIL TYPE								
		PL-2 DOUBLE TUBE				PL-2 THRIE BEAM				
		0°	15°	30°	40°	0°	15°	30°	40°	
350 CURB	k	ACUTE	555	590	615	626	300	322	331	330
		OBTUSE	555	506	433	361	300	264	207	298
	P	ACUTE	555	676	800	895	300	421	545	640
		OBTUSE	555	420	248	93	300	165	-7	-12
	Q	ACUTE	460							
		OBTUSE	460							
	R	ACUTE	295				40			
		OBTUSE	295				40 190			
S		478								

		BRIDGE RAIL TYPE								
		PL-2 DOUBLE TUBE				PL-2 THRIE BEAM				
		0°	15°	30°	40°	0°	15°	30°	40°	
415 CURB	k	ACUTE	555	592	619	632	300	324	335	335
		OBTUSE	555	504	429	355	300	262	203	292
	P	ACUTE	555	678	804	901	300	423	549	646
		OBTUSE	555	418	244	87	300	163	-11	-18
	Q	ACUTE	460							
		OBTUSE	460							
	R	ACUTE	295				40			
		OBTUSE	295				40 190			
S		485								



SECTION A-NTS

• FOR GENERAL NOTES SEE DWG S-1771 AND S-1775

NH AUG 18, 2008 S-1777-08.DWG -DRAWN-BY-RWK-

PERMIT TO PRACTICE
ISL Engineering and Land Services Ltd.
Signature: [Signature]
Date: Aug 15, 2008
PERMIT NUMBER: P 4741
The Association of Professional Engineers, Geologists and Geophysicists of Alberta

DESIGNER
PROFESSIONAL ENGINEER ALBERTA
DATE: Aug 15 '08

CHECKER
PROFESSIONAL ENGINEER ALBERTA
DATE: Aug 15, 2008

REV	DATE	REVISIONS	BY

RECOMMENDED DIRECTOR BRIDGE ENGINEERING
[Signature]
APPROVED EXECUTIVE DIRECTOR TECHNICAL STANDARDS BRANCH
[Signature]
DATE: August 22, 2008

Alberta Transportation
STANDARD SLC COMPOSITE BRIDGES
SLC510 PRESTRESSED CONCRETE GIRDERS
CURB DETAILS
DEPARTMENT BAR CODE: -
DATE: 2008-06-30
SHEET: 7 OF 7
DRAWING: S-1777-08